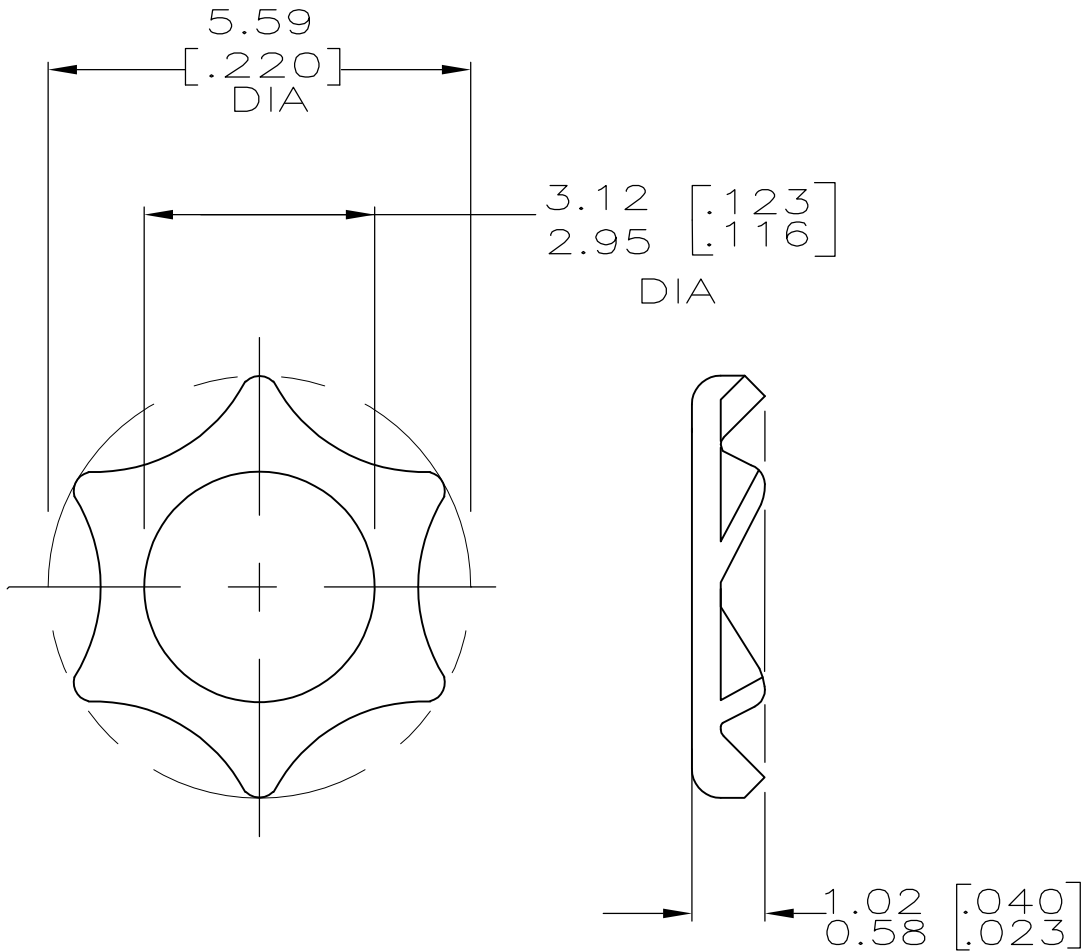


LOC	DIST	REVISIONS					
BD	39	P	LTR	DESCRIPTION	DATE	DWN	APVD
		C1		REVISED EPR ECO-11-001363	21JAN11	HMR	MG

1 ACTUAL CONFIGURATION OF WASHER MAY VARY

2 STAINLESS STEEL PER QQ-S-766



RELEASED FOR PUBLICATION

ALL INTERNATIONAL RIGHTS RESERVED.

BY TYCO ELECTRONICS CORPORATION.

© COPYRIGHT

200503-1  
PART NO

DIMENSIONS: mm [INCHES]	DWN	R.SHIREY	07/24/90	MATERIAL	2	FINISH	PASSIVATED				
	CHK	R.STONE	8-14-90	Tyco Electronics Corporation Harrisburg, PA 17105-3608							
TOLERANCES UNLESS OTHERWISE SPECIFIED:	APVD	A.BOULLIANNE	8-14-90								
0 PLC ± -	PRODUCT SPEC			NAME							
1 PLC ± -	-			LOCK WASHER, EXTERNAL, NARROW-RIM, M SERIES							
2 PLC ± 0.13 [.005]	APPLICATION SPEC			SIZE	CAGE CODE	DRAWING NO	RESTRICTED TO				
3 PLC ± -	-			A4	00779	C-200503	-				
4 PLC ± -	WEIGHT			-							
ANGLES ± -	-			-							
				CUSTOMER DRAWING		SCALE	10:1	SHEET	1 OF 1	REV	C1