

PRODUCT SPECIFICATION FOR
DIN VALVE CONNECTORS SERIES

SECTION	PAGE
1.0 SCOPE	2
2.0 PRODUCT DESCRIPTION	2
3.0 APPLICABLE DOCUMENTS AND SPECIFICATIONS	3
4.0 RATINGS	3
5.0 TEST GROUP INFORMATION.....	4
6.0 GROUP P (PRELIMINARY)	5
7.0 GROUP AP TEST SEQUENCE	6
8.0 GROUP BP TEST SEQUENCE	7
9.0 GROUP CP TEST SEQUENCE	8
10.0 ADDITIONAL TEST SEQUENCES.....	9
11.0 CRITICAL PARAMETERS	10
12.0 GENERAL REQUIREMENTS	10
13.0 MATERIALS	10
14.0 MARKING	10
15.0 PACKAGING & LABELLING	10
APPENDIX 1	11
APPENDIX 2	12
APPENDIX 3	13
APPENDIX 4	14
APPENDIX 5.....	15
APPENDIX 6	16
APPENDIX 7	19

REV.		G																	
SHEET	1	TO	19																

THIS DOCUMENT CONTAINS INFORMATION THAT IS PROPRIETARY TO MOLEX ELECTRONIC TECHNOLOGIES, LLC AND SHOULD NOT BE USED WITHOUT WRITTEN PERMISSION

REVISION DESCRIPTION																			PRODUCT SPEC DIN VALVE CONNECTORS			
CHANGE NO.	641451																					
REVISED BY	SSM	DATE	2020/07/08	DOC TYPE	PRODUCT SPECIFICATION WORD										DOC PART	SERIES						
REV APPR BY	RSILLER	DATE	2020/07/23	PS											001	121201						
INITIAL RELEASE				CUSTOMER				DOCUMENT NUMBER				REVISION	SHEET									
INITIAL DRWN	DMAHER_WEU	DATE	2009/02/25	GENERAL MARKET				PS-121201-001				H1	1 OF 19									
INITIAL APPR	GRIZZO	DATE	2009/02/27																			

1.0 SCOPE

This specification defines the performance for all DIN valve connector series.

2.0 PRODUCT DESCRIPTION

Field Attachable Without Circuit

Series; C28, C22, C92 C25, C29, CSP,C01, C04, C05, C08, C12, C14, C17, C18, C19, C20, C32, C40, C41, C43, C44, C47, C50, C51, C52, C59, C62, C70, C71, C81 & C82

Field Attachable with Circuit

Series; S28, S22, S92 S25, S29, S02, S04, S05, S11, S14, S18, S19, S20, S40, S41, S43, S44, S53, S54, S55, S56 & S62

Bases

Series; B04, B14, B15, B20, B21, B22, B23, B24, B26, B27, B28, B29, B30, B31, B39, B40, B41, B42, B46, B47 & B48.

Adaptors

A06, A07, A02, A03, A04, A05, A08, A09, A10, A11 & A01

For materials, plating & markings, see sections 11, 12 and sales drawings SD-121***. *** related to each series.

THIS DOCUMENT CONTAINS INFORMATION THAT IS PROPRIETARY TO MOLEX ELECTRONIC TECHNOLOGIES, LLC AND SHOULD NOT BE USED WITHOUT WRITTEN PERMISSION

REVISION DESCRIPTION		PRODUCT SPEC DIN VALVE CONNECTORS					
CHANGE NO.	641451						
REVISED BY	SSM	DATE	2020/07/08	DOC TYPE	DOC TYPE DESCRIPTION	DOC PART	SERIES
REV APPR BY	RSILLER	DATE	2020/07/23	PS	PRODUCT SPECIFICATION WORD	001	121201
INITIAL RELEASE				CUSTOMER	DOCUMENT NUMBER	REVISION	SHEET
INITIAL DRWN	DMAHER_WEU	DATE	2009/02/25	GENERAL MARKET	PS-121201-001	H1	2 OF 19
INITIAL APPR	GRIZZO	DATE	2009/02/27				

3.0 APPLICABLE DOCUMENTS AND SPECIFICATIONS

See sales drawings SD-121***. *** and other sections of this specification for the relevant reference documents and specifications. In cases where the specification differs from the product drawings, the product drawings take precedence.

Testing and testing sequences are according to EN 175301-803:2006,

4.0 RATINGS

4.1	Current	Type A & B: Nominal 10 Amps / Max 16 Amps
		Type C & Micro: Nominal 6 Amps / Max 10 Amps
4.2	Voltage	Max 250 V AC / Max 300 V DC
4.3	Operating Temperature Range	-40°C to +90°C
4.4	Storage Temperature Range	-40°C to +70°C
4.5	Storage Humidity Range	+15% to +70% RH
4.6	Operating Temperature Range at mated interface	With circuit -40°C to +80°C, NBR -40°C to +90°C, Silicone -40°C to +125°C
4.7	Derating Curves	See Appendix 1
4.8	Cable Range	Minimum 0.75mm ² - Maximum 1.5mm ²
4.9	Over voltage category	3

THIS DOCUMENT CONTAINS INFORMATION THAT IS PROPRIETARY TO MOLEX ELECTRONIC TECHNOLOGIES, LLC AND SHOULD NOT BE USED WITHOUT WRITTEN PERMISSION

REVISION DESCRIPTION								PRODUCT SPEC DIN VALVE CONNECTORS				
CHANGE NO.	641451											
REVISED BY	SSM	DATE	2020/07/08	DOC TYPE	DOC TYPE DESCRIPTION			DOC PART	SERIES			
REV APPR BY	RSILLER	DATE	2020/07/23	PS	PRODUCT SPECIFICATION WORD			001	121201			
INITIAL RELEASE				CUSTOMER		DOCUMENT NUMBER			REVISION	SHEET		
INITIAL DRWN	DMAHER_WEU	DATE	2009/02/25	GENERAL MARKET		PS-121201-001			H1	3 OF 19		
INITIAL APPR	GRIZZO	DATE	2009/02/27									

5.0 TEST GROUP INFORMATION

Test Group	Number of Specimen
P	6
AP	2
BP	2
CP	2
1.1	4

Table 1, Test Group Size

THIS DOCUMENT CONTAINS INFORMATION THAT IS PROPRIETARY TO MOLEX ELECTRONIC TECHNOLOGIES, LLC AND SHOULD NOT BE USED WITHOUT WRITTEN PERMISSION

REVISION DESCRIPTION								PRODUCT SPEC DIN VALVE CONNECTORS				
CHANGE NO.	641451											
REVISED BY	SSM	DATE	2020/07/08	DOC TYPE	DOC TYPE DESCRIPTION			DOC PART	SERIES			
REV APPR BY	RSILLER	DATE	2020/07/23	PS	PRODUCT SPECIFICATION WORD			001	121201			
INITIAL RELEASE				CUSTOMER		DOCUMENT NUMBER			REVISION	SHEET		
INITIAL DRWN	DMAHER_WEU	DATE	2009/02/25	GENERAL MARKET		PS-121201-001			H1		4 OF 19	
INITIAL APPR	GRIZZO	DATE	2009/02/27									

6.0 GROUP P (PRELIMINARY)

Test Ref.	Item	Test Condition	Requirements
P1	General Examination IEC-60512 Test 1A	Visual examination of unmated connectors	There shall be no defects that would impair normal operation
P2	Polarization Method IEC-60512 Test 13E	Force to be applied for 60 seconds at a rate of 25mm Min 2 + PE = 60N 3 + PE = 100N	It shall be possible to correctly align and mate the appropriate mating connectors It shall not be possible to mate the connectors in any way other than the correct manner #
P3	Contact Resistance IEC-60512 Test 2B	Measure contact resistance across the interface of male and female, Test current 1A	= 15mΩ Max * See note below
P4	Insulation Resistance IEC-60512 Test 3, Method A	Mated & Unmated connector with 100±15V DC between adjacent contacts. Reading measurement when stable condition is reached or within 60s±5s of application of voltage.	100mΩ Min. * See note below
P5	Voltage Proof IEC-60512 Test 4A	Mated connectors, Standard atmospheric conditions, Contact/contact: measuring points as P4, 2kV +/- 50V for 60s +/- 5s @45-60Hz, test voltage not to exceed 500V/s, test method A	No breakdown or flashover * See note below

Not applicable to form B Industrial, C12, S12, C22 & S22

THIS DOCUMENT CONTAINS INFORMATION THAT IS PROPRIETARY TO MOLEX ELECTRONIC TECHNOLOGIES, LLC AND SHOULD NOT BE USED WITHOUT WRITTEN PERMISSION

REVISION DESCRIPTION								PRODUCT SPEC DIN VALVE CONNECTORS				
CHANGE NO.	641451											
REVISED BY	SSM	DATE	2020/07/08	DOC TYPE	DOC TYPE DESCRIPTION			DOC PART	SERIES			
REV APPR BY	RSILLER	DATE	2020/07/23	PS	PRODUCT SPECIFICATION WORD			001	121201			
INITIAL RELEASE				CUSTOMER		DOCUMENT NUMBER			REVISION	SHEET		
INITIAL DRWN	DMAHER_WEU	DATE	2009/02/25	GENERAL MARKET		PS-121201-001			H1	5 OF 19		
INITIAL APPR	GRIZZO	DATE	2009/02/27									

7.0 GROUP AP TEST SEQUENCE

Test Ref.	Item	Test Condition	Requirements
AP1	Mechanical Operation IEC-60512 Test 9A	Max. speed: 10 mm/s Rest 30's (unmated)	50 operation cycles Contact Resistance 15 mΩ max.
AP2.1	Solderability (when applicable) IEC-60512 Test 12B	Wetting iron method, Ageing method 3, Soldering iron size B, only for solder buckets	NA
AP2.2	Screw Terminal (when applicable) EN 60999-1	See EN 60999-1 Sections 9.1, 9.2, 9.4, 9.5 & 9.6, see Appendix 6	See Appendix 6
AP3	Voltage Proof IEC-60512 Test 4A	Mated connectors, Standard atmospheric conditions, Contact/contact: measuring points as P4, 2kV +/- 50V for 60s +/- 5s @45-60Hz, test voltage not to exceed 500V/s	No breakdown or flashover * See note below
AP4	Damp Heat Steady State IEC-60512 Test 11C	Electrode Voltage: 60 V DC Recovery time 1-2 hours 40°C - 95% Relative Humidity	10 day # See note below
AP5	Contact Resistance IEC-60512 Test 2B	Measure contact resistance across the interface of male and female, test current 1A, Test Method A	15mΩ Max * See note below
AP6	Insulation Resistance IEC-60512 Test 3, Method A	Mated & Unmated connector with 100±15V DC between adjacent contacts. Reading measurement when stable condition is reached or within 60s±5s of application of voltage.	100mΩ Min. *See note below
AP7	Voltage Proof IEC-60512 Test 4A	Mated connectors, Standard atmospheric conditions, Contact/contact: measuring points as P4, 2kV +/- 50V for 60s +/- 5s @45-60Hz, test voltage not to exceed 500V/s, Test Method A	No breakdown or flashover * See note below
AP8	Insertion and Withdrawal Forces IEC-60512 Test 13B	Cross head speed: 25mm/min, Cycles: 1	2 + PE ≤ 60N 3 + PE ≤ 80N
AP9	Unmated Connectors IEC-60512 Test 1A	Visual examination	No damage due to conditioning

#Functional test to be performed before and after test to with-circuit & adaptor part numbers,
See Appendix 6

THIS DOCUMENT CONTAINS INFORMATION THAT IS PROPRIETARY TO MOLEX ELECTRONIC TECHNOLOGIES, LLC AND SHOULD NOT BE USED WITHOUT WRITTEN PERMISSION

REVISION DESCRIPTION		PRODUCT SPEC DIN VALVE CONNECTORS							
CHANGE NO.	641451								
REVISED BY	SSM	DATE	2020/07/08	DOC TYPE	DOC TYPE DESCRIPTION	DOC PART	SERIES		
REV APPR BY	RSILLER	DATE	2020/07/23	PS	PRODUCT SPECIFICATION WORD	001	121201		
INITIAL RELEASE			CUSTOMER		DOCUMENT NUMBER		REVISION	SHEET	
INITIAL DRWN	DMAHER_WEU	DATE	2009/02/25	GENERAL MARKET		PS-121201-001		H1	6 OF 19
INITIAL APPR	GRIZZO	DATE	2009/02/27						

8.0 GROUP BP TEST SEQUENCE

Test Ref.	Item	Test Condition	Requirements
BP1	Dry Heat IEC-60512 Test 11J	With circuit +80°C, NBR +90°C, Silicone +125°C	96 Hr Contact Resistance 15 mΩ max. #See note below
BP2	Cold IEC-60512 Test 11J	Temperature -40°C	2 hr Contact Resistance 15 mΩ max. #See note below
BP3	Degree of Protection EN 60529	Contre Screw Tightening Torque 0.4Nm, Internal thread Main Nut tightening torque 1Nm, External thread main nut tightening torque See Appendix 2	Degree of protection : IP65 acc. to EN 60529 or IPX7 acc. to EN 60529 for connectors that include fixing screw with rubber washer (gasket)
BP4	Mechanical Strength Impact IEC-60512 Test 7B	Only for free connectors Drop height: (1000 ± 10) mm Test cable: un-shielded PVC-pilot cable Drop Cycles: 8	No Damage #See note below
BP5	Protection against hazardous parts IEC-60512 Test 1A	IPxxB, Unmounted Connector, Protect against access with a test finger according to EN 60529 15.2, 10 N Max, See Appendix 7	Test probe shall not make contact with a live terminal
BP6	Unmated Connectors IEC-60512 Test 1A	Visual examination	No damage due to conditioning

#Functional test to be performed before and after test to with-circuit & adaptor part numbers,
See Appendix 5

THIS DOCUMENT CONTAINS INFORMATION THAT IS PROPRIETARY TO MOLEX ELECTRONIC TECHNOLOGIES, LLC AND SHOULD NOT BE USED WITHOUT WRITTEN PERMISSION

REVISION DESCRIPTION								PRODUCT SPEC DIN VALVE CONNECTORS		
CHANGE NO.	641451									
REVISED BY	SSM	DATE	2020/07/08	DOC TYPE	DOC TYPE DESCRIPTION			DOC PART	SERIES	
REV APPR BY	RSILLER	DATE	2020/07/23	PS	PRODUCT SPECIFICATION WORD			001	121201	
INITIAL RELEASE				CUSTOMER		DOCUMENT NUMBER			REVISION	SHEET
INITIAL DRWN	DMAHER_WEU	DATE	2009/02/25	GENERAL MARKET		PS-121201-001			H1	7 OF 19
INITIAL APPR	GRIZZO	DATE	2009/02/27							

9.0 GROUP CP TEST SEQUENCE

Test Ref.	Item	Test Condition	Requirements
CP1	Resistance to Fluids IEC-60512	Test acc. to EN 2591 Test C 15, T2 = 80°C Hydraulic oil HM 22 acc. to EN ISO 6743-4	No Damage
CP2	Retreatment	Cleaning of specimen by washing in light petrol	No Damage
CP3	Voltage Proof IEC-60512 Test 4A	Mated connectors, Standard atmospheric conditions, Contact/contact: measuring points as P4, 2kV +/- 50V for 60s +/- 5s @45-60Hz, test voltage not to exceed 500V/s Test Method A	No breakdown or flashover * See note below
CP4	General Examination IEC-60512 Test 1A	Visual examination of unmated connectors	No damage due to conditioning

*Not applicable to with-circuit part numbers

THIS DOCUMENT CONTAINS INFORMATION THAT IS PROPRIETARY TO MOLEX ELECTRONIC TECHNOLOGIES, LLC AND SHOULD NOT BE USED WITHOUT WRITTEN PERMISSION

REVISION DESCRIPTION								PRODUCT SPEC DIN VALVE CONNECTORS				
CHANGE NO.	641451											
REVISED BY	SSM	DATE	2020/07/08	DOC TYPE	DOC TYPE DESCRIPTION			DOC PART	SERIES			
REV APPR BY	RSILLER	DATE	2020/07/23	PS	PRODUCT SPECIFICATION WORD			001	121201			
INITIAL RELEASE				CUSTOMER		DOCUMENT NUMBER			REVISION	SHEET		
INITIAL DRWN	DMAHER_WEU	DATE	2009/02/25	GENERAL MARKET		PS-121201-001			H1	8 OF 19		
INITIAL APPR	GRIZZO	DATE	2009/02/27									

10.0 ADDITIONAL TEST SEQUENCES

Test Ref.	Item	Test Condition	Requirements
1.1	Glow Wire IEC 60695-2-11	Parts shall be tested at 850°C, See Test Standard and Appendix 4 for details of the test setup Only V0 part numbers to be tested please see Sales drawings for details	Parts shall extinguish within 30 seconds of tip removal & any drops shall not ignite the paper below

THIS DOCUMENT CONTAINS INFORMATION THAT IS PROPRIETARY TO MOLEX ELECTRONIC TECHNOLOGIES, LLC AND SHOULD NOT BE USED WITHOUT WRITTEN PERMISSION

REVISION DESCRIPTION								PRODUCT SPEC DIN VALVE CONNECTORS				
CHANGE NO.	641451											
REVISED BY	SSM	DATE	2020/07/08	DOC TYPE	DOC TYPE DESCRIPTION			DOC PART	SERIES			
REV APPR BY	RSILLER	DATE	2020/07/23	PS	PRODUCT SPECIFICATION WORD			001	121201			
INITIAL RELEASE				CUSTOMER		DOCUMENT NUMBER			REVISION	SHEET		
INITIAL DRWN	DMAHER_WEU	DATE	2009/02/25	GENERAL MARKET		PS-121201-001			H1		9 OF 19	
INITIAL APPR	GRIZZO	DATE	2009/02/27									

11.0 CRITICAL PARAMETERS

Critical features are detailed on drawings SD-121***. ***, please see individual part numbers for specific sales drawings, where specific sales drawings are not available please see the generic sales drawing for the specific series number for details of the intelligent part number.

12.0 GENERAL REQUIREMENTS

- All materials and platings are RoHS compliant.
- IP-classification: This component will be used in a product that fulfils IP65 or IP67 classification according to IEC 60529 for non-active category products.
- Test Sample Size: See table 1 page 4 for test sample size in each test group.
- Product shall undergo UL certification where applicable.

13.0 MATERIALS

All materials are specified in sales drawings SD-121*****, please see individual part numbers for specific sales drawings, where specific sales drawings are not available please see the generic sales drawing for the specific series number for details of the intelligent part number.

14.0 MARKING

Cavity number to be moulded on housings

15.0 PACKAGING & LABELLING

See packaging specification PK-121***.*** for packaging of assembly options and labeling requirements for cartons. Please see individual part numbers for specific packaging specifications.

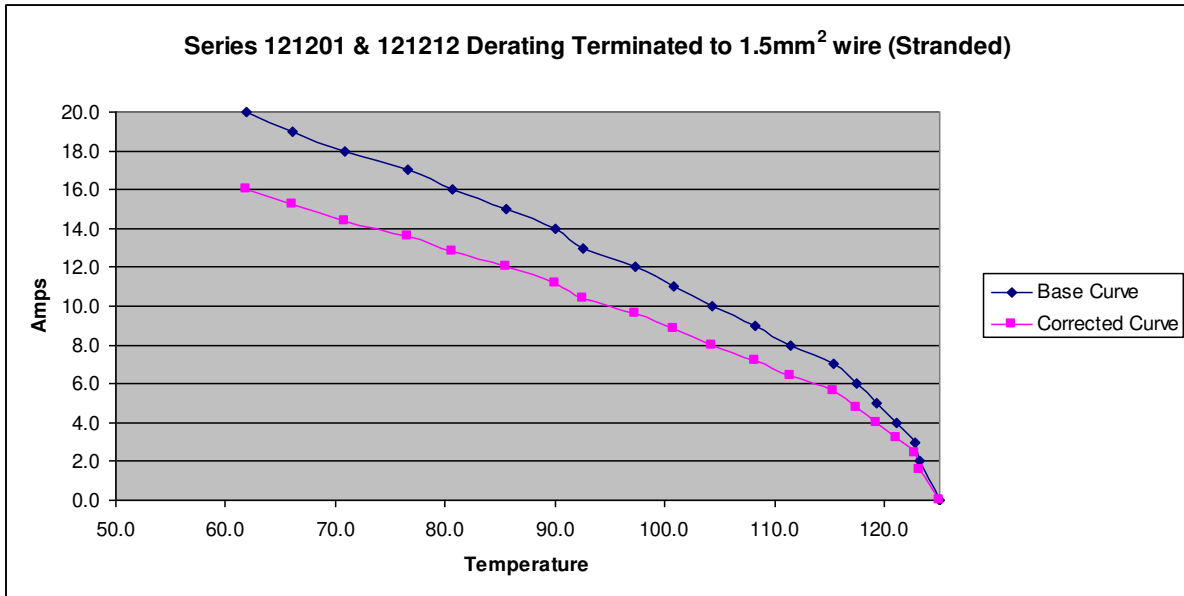
Parts shall be packaged to protect against damage during handling, transit, and storage.

No Styrofoam shall be used in any packing that comes in direct contact with the connectors.

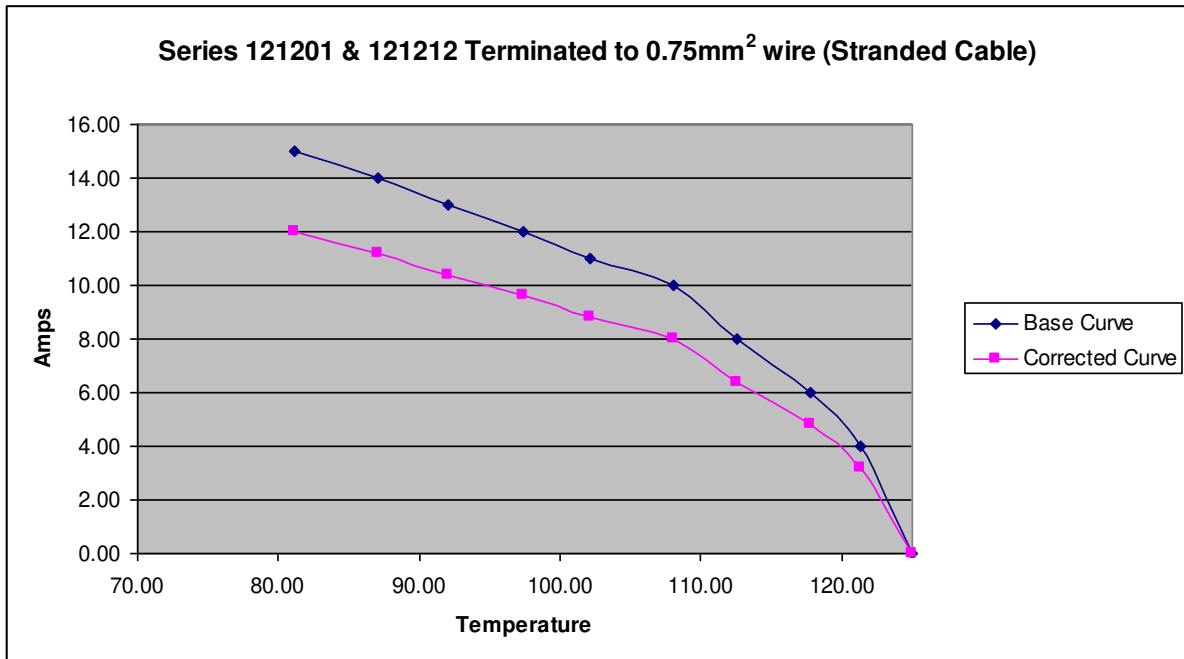
THIS DOCUMENT CONTAINS INFORMATION THAT IS PROPRIETARY TO MOLEX ELECTRONIC TECHNOLOGIES, LLC AND SHOULD NOT BE USED WITHOUT WRITTEN PERMISSION

REVISION DESCRIPTION								PRODUCT SPEC DIN VALVE CONNECTORS			
CHANGE NO.	641451										
REVISED BY	SSM	DATE	2020/07/08	DOC TYPE	DOC TYPE DESCRIPTION			DOC PART	SERIES		
REV APPR BY	RSILLER	DATE	2020/07/23	PS	PRODUCT SPECIFICATION WORD			001	121201		
INITIAL RELEASE				CUSTOMER		DOCUMENT NUMBER			REVISION	SHEET	
INITIAL DRWN	DMAHER_WEU	DATE	2009/02/25	GENERAL MARKET		PS-121201-001			H1	10 OF 19	
INITIAL APPR	GRIZZO	DATE	2009/02/27								

Appendix 1



Derating curve for 1.5 mm² cable



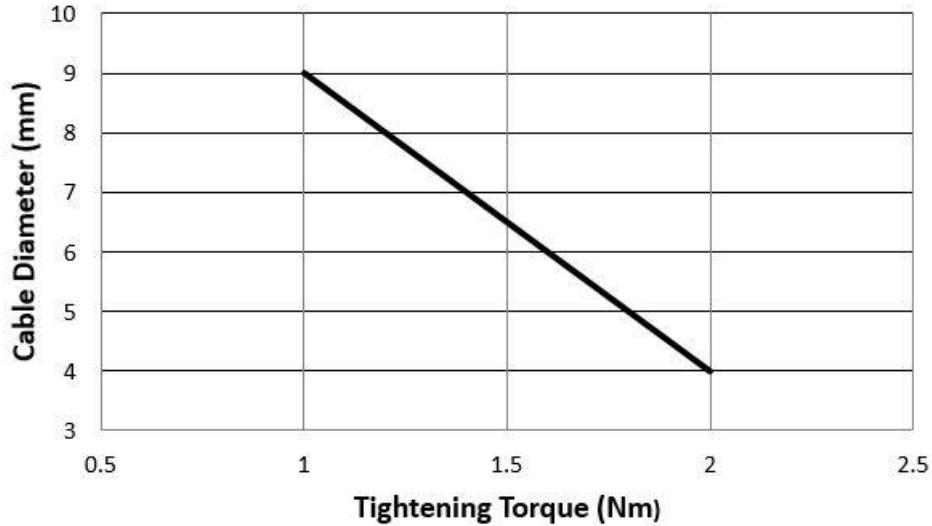
Derating curve for 0.75 mm² cable

THIS DOCUMENT CONTAINS INFORMATION THAT IS PROPRIETARY TO MOLEX ELECTRONIC TECHNOLOGIES, LLC AND SHOULD NOT BE USED WITHOUT WRITTEN PERMISSION

REVISION DESCRIPTION		PRODUCT SPEC DIN VALVE CONNECTORS						
CHANGE NO.	641451							
REVISED BY	SSM	DATE	2020/07/08	DOC TYPE	DOC TYPE DESCRIPTION	DOC PART	SERIES	
REV APPR BY	RSILLER	DATE	2020/07/23	PS	PRODUCT SPECIFICATION WORD	001	121201	
INITIAL RELEASE			CUSTOMER		DOCUMENT NUMBER		REVISION	SHEET
INITIAL DRWN	DMAHER_WEU	DATE	2009/02/25	GENERAL MARKET	PS-121201-001	H1	11 OF 19	
INITIAL APPR	GRIZZO	DATE	2009/02/27					

Appendix 2

Cable Diameter Vs External Thread Nut Tightening Torque



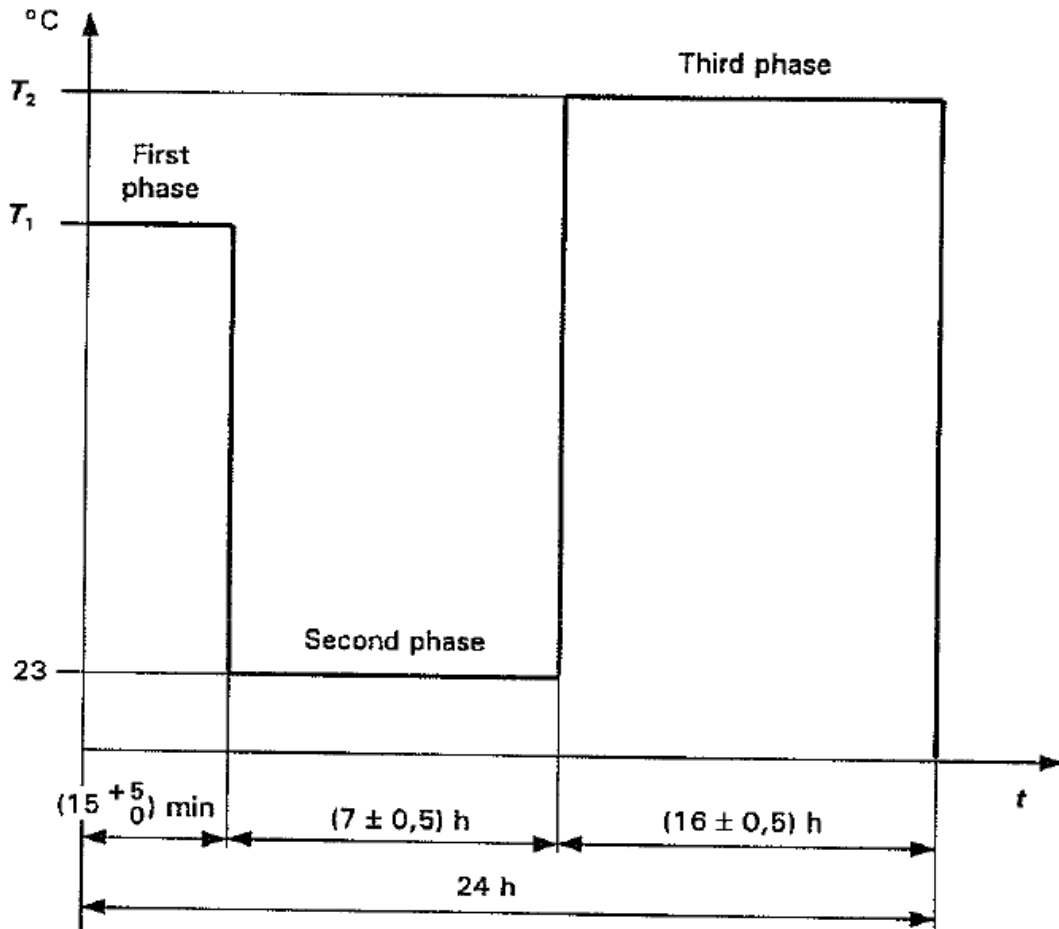
Graph showing external thread tightening torque for Form A & B.

*Note: For form C and C Micro the tightening torque is 0.5Nm Minimum
0.6 Nm maximum.

THIS DOCUMENT CONTAINS INFORMATION THAT IS PROPRIETARY TO MOLEX ELECTRONIC TECHNOLOGIES, LLC AND SHOULD NOT BE USED WITHOUT WRITTEN PERMISSION

REVISION DESCRIPTION		PRODUCT SPEC DIN VALVE CONNECTORS						
CHANGE NO.	641451							
REVISED BY	SSM	DATE	2020/07/08	DOC TYPE	DOC TYPE DESCRIPTION	DOC PART	SERIES	
REV APPR BY	RSILLER	DATE	2020/07/23	PS	PRODUCT SPECIFICATION WORD	001	121201	
INITIAL RELEASE			CUSTOMER		DOCUMENT NUMBER		REVISION	SHEET
INITIAL DRWN	DMAHER_WEU	DATE	2009/02/25	GENERAL MARKET	PS-121201-001	H1	12 OF 19	
INITIAL APPR	GRIZZO	DATE	2009/02/27					

Appendix 3

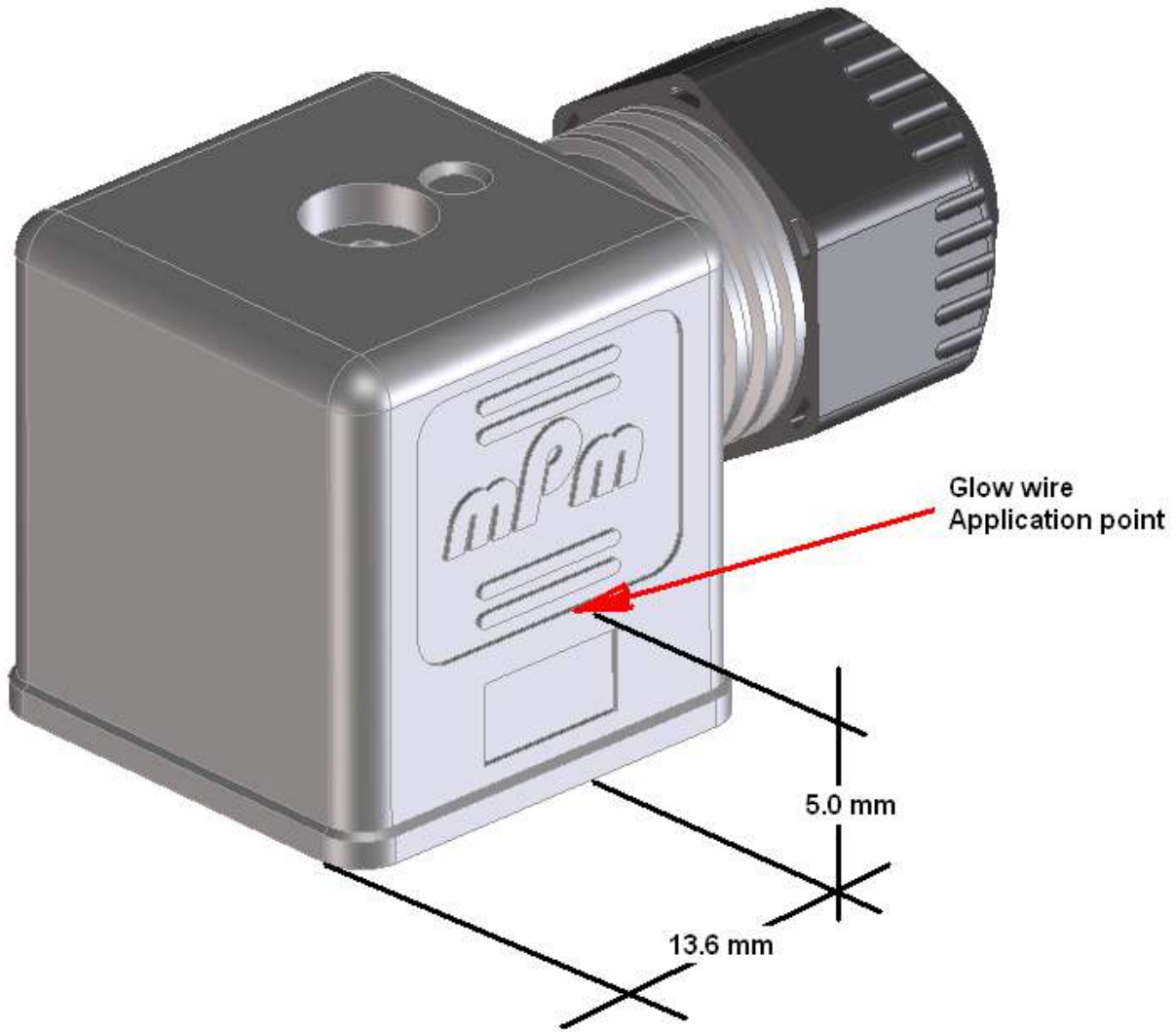


Example of test cycle

THIS DOCUMENT CONTAINS INFORMATION THAT IS PROPRIETARY TO MOLEX ELECTRONIC TECHNOLOGIES, LLC AND SHOULD NOT BE USED WITHOUT WRITTEN PERMISSION

REVISION DESCRIPTION		PRODUCT SPEC DIN VALVE CONNECTORS						
CHANGE NO.	641451							
REVISED BY	SSM	DATE	2020/07/08	DOC TYPE	DOC TYPE DESCRIPTION	DOC PART	SERIES	
REV APPR BY	RSILLER	DATE	2020/07/23	PS	PRODUCT SPECIFICATION WORD	001	121201	
INITIAL RELEASE			CUSTOMER		DOCUMENT NUMBER		REVISION	SHEET
INITIAL DRWN	DMAHER_WEU	DATE	2009/02/25	GENERAL MARKET	PS-121201-001	H1	13 OF 19	
INITIAL APPR	GRIZZO	DATE	2009/02/27					

Appendix 4



Glow wire test setup

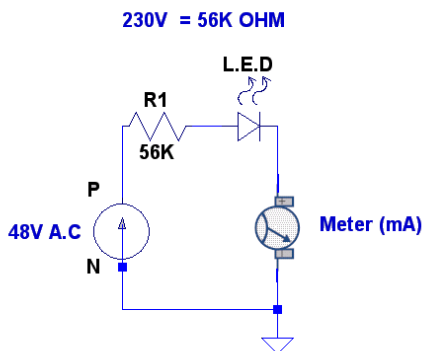
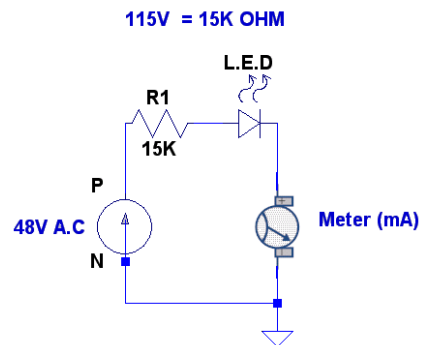
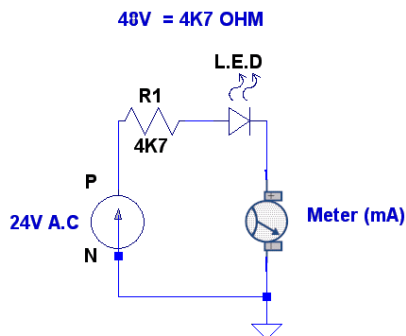
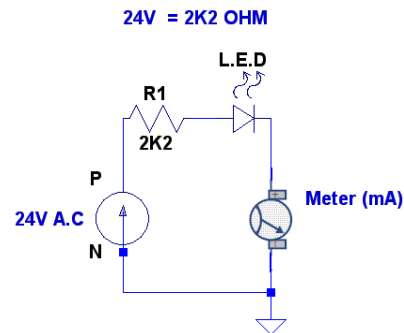
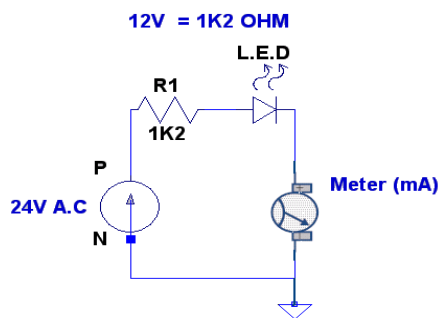
*Note: height correct for form A, B and C.

THIS DOCUMENT CONTAINS INFORMATION THAT IS PROPRIETARY TO MOLEX ELECTRONIC TECHNOLOGIES, LLC AND SHOULD NOT BE USED WITHOUT WRITTEN PERMISSION

REVISION DESCRIPTION				PRODUCT SPEC DIN VALVE CONNECTORS			
CHANGE NO. 641451							
REVISED BY	SSM	DATE	2020/07/08	DOC TYPE	DOC TYPE DESCRIPTION	DOC PART	SERIES
REV APPR BY	RSILLER	DATE	2020/07/23	PS	PRODUCT SPECIFICATION WORD	001	121201
INITIAL RELEASE				CUSTOMER		DOCUMENT NUMBER	
INITIAL DRWN	DMAHER_WEU	DATE	2009/02/25	GENERAL MARKET		PS-121201-001	H1
INITIAL APPR	GRIZZO	DATE	2009/02/27				
							14 OF 19

Appendix 5

Voltage (V)	Resistor	Test Voltage	Current Reading (mA)	Tolerance (mA)
12	1K2	24V AC	19.00	+/- 15%
24	2K2	24V AC	10.36	+/- 15%
48	4K7	48V AC	4.85	+/- 15%
115	15K	48V AC	7.58	+/- 15%
230	56K	48V AC	4.08	+/- 15%



THIS DOCUMENT CONTAINS INFORMATION THAT IS PROPRIETARY TO MOLEX ELECTRONIC TECHNOLOGIES, LLC AND SHOULD NOT BE USED WITHOUT WRITTEN PERMISSION

REVISION DESCRIPTION				PRODUCT SPEC DIN VALVE CONNECTORS			
CHANGE NO.	641451						
REVISED BY	SSM	DATE	2020/07/08	DOC TYPE	DOC TYPE DESCRIPTION	DOC PART	SERIES
REV APPR BY	RSILLER	DATE	2020/07/23	PS	PRODUCT SPECIFICATION WORD	001	121201
INITIAL RELEASE				CUSTOMER		DOCUMENT NUMBER	
INITIAL DRWN	DMAHER_WEU	DATE	2009/02/25	GENERAL MARKET		PS-121201-001	H1
INITIAL APPR	GRIZZO	DATE	2009/02/27				

Appendix 6.0

Test Ref.	Item	Test Condition	Requirements
AP2.2	9.1	The largest conductor size see table 1, shall be stripped re-shaped and then inserted into the terminal block	The conductor shall enter the the clamping unit completely without undue force
AP2.2	9.2	Three terminal blocks shall have new conductors fitted as per table 1 until they just protrude through the terminal block. They shall be positioned in such a way as to most likely allow wires to escape and then tightened to the specified torque	No wire of the conductor shall have escaped outside the clamping unit in such a manner as to reduce the creepage and clearance distances
AP2.2	9.4	Three clamping units of both the smallest and largest conductor size shall be terminated with a conductor of length H, + 75mm. The terminated conductor shall be suspended a distance H +/- 15mm from a platen with a hole in the bushing with a centreline which describes a circle of 75mm in diameter. The platen is rotated a 10 +/- 2 rotations a minute for 15 minutes. The conductor will have a mass suspended from its end. See table 2 for weights and dimensions and figure 1 for test apparatus setup.	During the test the conductor shall not slip from the terminal block
AP2.2	9.5	After test 9.4 a steady pulling force shall be applied to each connection as outlined in table 3 below for 1 min	During the test the conductor shall not slip from the terminal block
AP2.2	9.6	The terminal block screw is tightened and loosened five times on any conductor on the max or min conductor size. A new conductor is used each time the screw is loosened.	During the test the terminal block and screw shall not be damaged

THIS DOCUMENT CONTAINS INFORMATION THAT IS PROPRIETARY TO MOLEX ELECTRONIC TECHNOLOGIES, LLC AND SHOULD NOT BE USED WITHOUT WRITTEN PERMISSION

REVISION DESCRIPTION								PRODUCT SPEC DIN VALVE CONNECTORS		
CHANGE NO.	641451									
REVISED BY	SSM	DATE	2020/07/08	DOC TYPE	DOC TYPE DESCRIPTION		DOC PART	SERIES		
REV APPR BY	RSILLER	DATE	2020/07/23	PS	PRODUCT SPECIFICATION WORD		001	121201		
INITIAL RELEASE				CUSTOMER		DOCUMENT NUMBER		REVISION	SHEET	
INITIAL DRWN	DMAHER_WEU	DATE	2009/02/25	GENERAL MARKET		PS-121201-001		H1	16 OF 19	
INITIAL APPR	GRIZZO	DATE	2009/02/27							

*Note: Terminal tightening torque for all tests is 0.4Nm

Table 1, Conductor cross section Vs conductor diameter

Conductor cross section	Theoretical diameter of the conductor	
	Solid	Stranded
mm ²	mm	mm
0.75	1.0	1.2
1.50	1.5	1.7

Table 2 Mass Vs conductor cross sectional area

Conductor Cross Section	Diameter of bushing hole	Height H	Mass attached to conductor
mm ²	mm	mm	kg
0.75	6.5	260	0.4
1.55	6.5	260	0.4

Table 3 Pull force Vs conductor cross sectional area.

Cross Sectional Area mm ²	0.75	1.55
Pull Force N	30	40

THIS DOCUMENT CONTAINS INFORMATION THAT IS PROPRIETARY TO MOLEX ELECTRONIC TECHNOLOGIES, LLC AND SHOULD NOT BE USED WITHOUT WRITTEN PERMISSION

REVISION DESCRIPTION	PRODUCT SPEC DIN VALVE CONNECTORS						
CHANGE NO.	641451						
REVISED BY	SSM	DATE	2020/07/08	DOC TYPE	DOC TYPE DESCRIPTION	DOC PART	SERIES
REV APPR BY	RSILLER	DATE	2020/07/23	PS	PRODUCT SPECIFICATION WORD	001	121201
INITIAL RELEASE			CUSTOMER		DOCUMENT NUMBER	REVISION	SHEET
INITIAL DRWN	DMAHER_WEU	DATE	2009/02/25	GENERAL MARKET	PS-121201-001	H1	17 OF 19
INITIAL APPR	GRIZZO	DATE	2009/02/27				

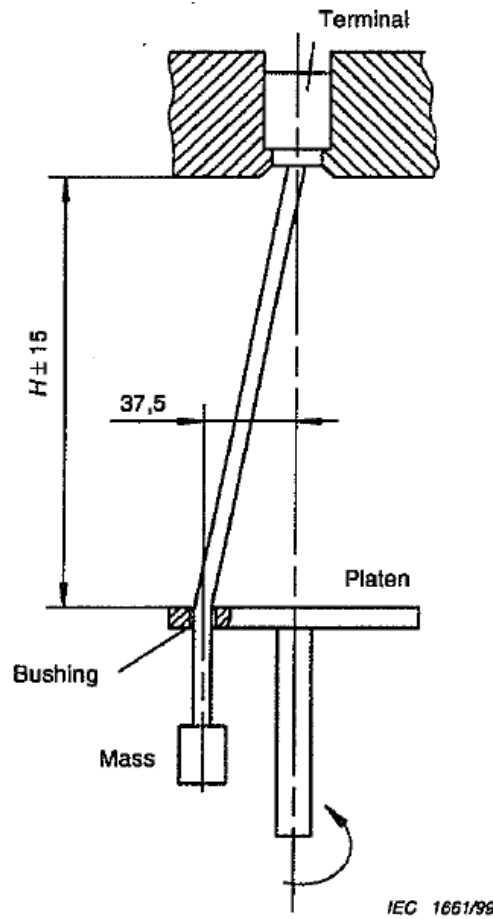


Figure 1 – Test apparatus according to 9.4

THIS DOCUMENT CONTAINS INFORMATION THAT IS PROPRIETARY TO MOLEX ELECTRONIC TECHNOLOGIES, LLC AND SHOULD NOT BE USED WITHOUT WRITTEN PERMISSION

REVISION DESCRIPTION				PRODUCT SPEC DIN VALVE CONNECTORS				
CHANGE NO. 641451								
REVISED BY	SSM	DATE	2020/07/08	DOC TYPE	DOC TYPE DESCRIPTION	DOC PART	SERIES	
REV APPR BY	RSILLER	DATE	2020/07/23	PS	PRODUCT SPECIFICATION WORD	001	121201	
INITIAL RELEASE				CUSTOMER		DOCUMENT NUMBER	REVISION	SHEET
INITIAL DRWN	DMAHER_WEU	DATE	2009/02/25	GENERAL MARKET		PS-121201-001	H1	18 OF 19
INITIAL APPR	GRIZZO	DATE	2009/02/27					

Appendix 7.0

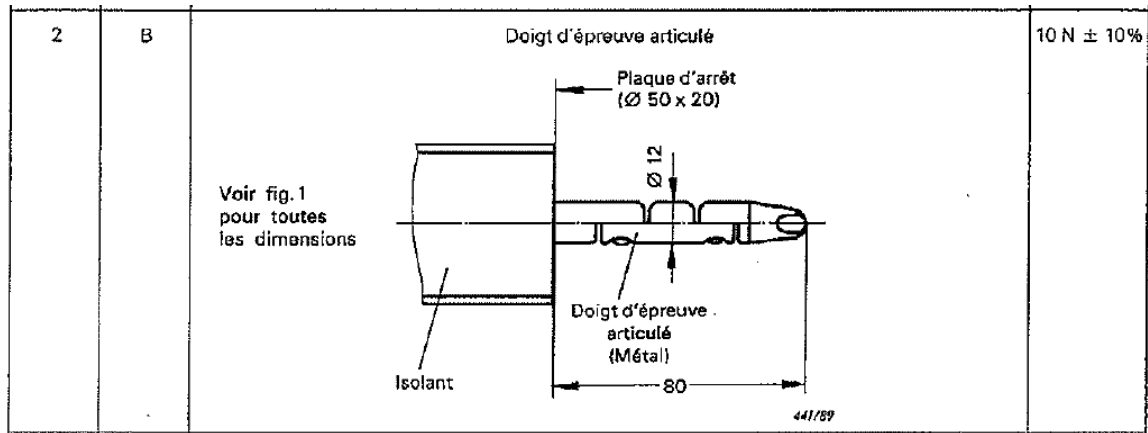


Figure 2, above shows the test probe to be used during test section BP5

THIS DOCUMENT CONTAINS INFORMATION THAT IS PROPRIETARY TO MOLEX ELECTRONIC TECHNOLOGIES, LLC AND SHOULD NOT BE USED WITHOUT WRITTEN PERMISSION

REVISION DESCRIPTION								PRODUCT SPEC	
CHANGE NO.	641451							DIN VALVE CONNECTORS	
REVISED BY	SSM	DATE	2020/07/08	DOC TYPE	DOC TYPE DESCRIPTION		DOC PART	SERIES	
REV APPR BY	RSILLER	DATE	2020/07/23	PS	PRODUCT SPECIFICATION WORD		001	121201	
INITIAL RELEASE				CUSTOMER		DOCUMENT NUMBER		REVISION	SHEET
INITIAL DRWN	DMAHER_WEU	DATE	2009/02/25	GENERAL MARKET		PS-121201-001		H1	19 OF 19
INITIAL APPR	GRIZZO	DATE	2009/02/27						