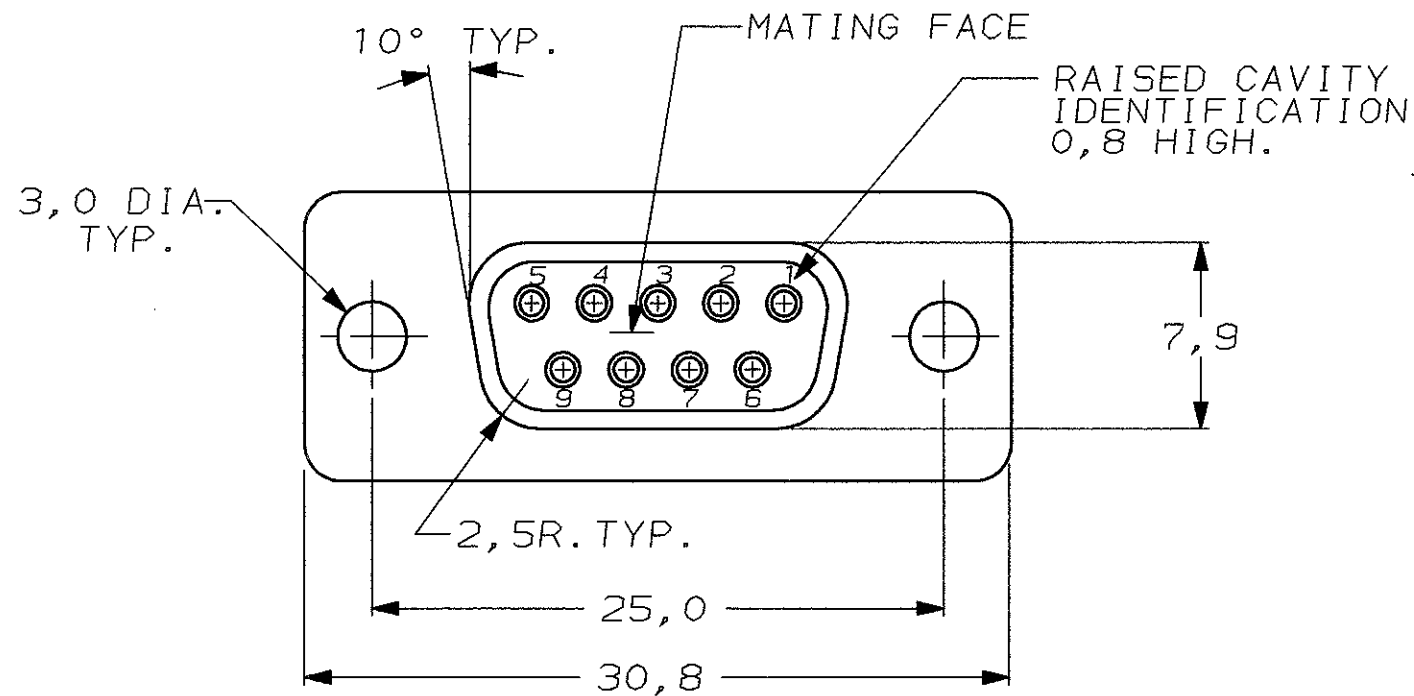
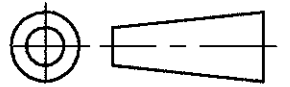


DO NOT SCALE

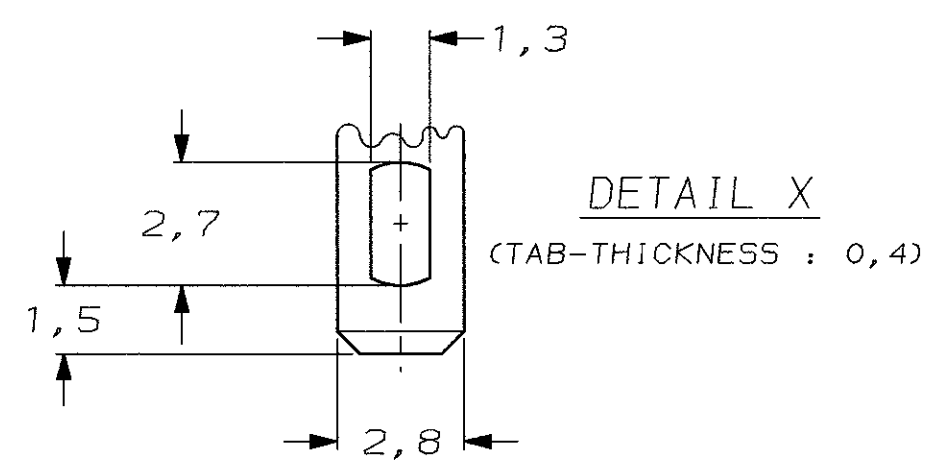
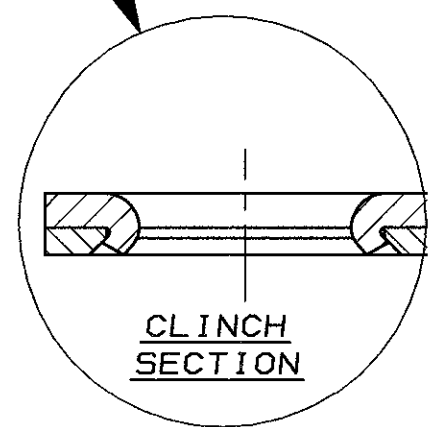
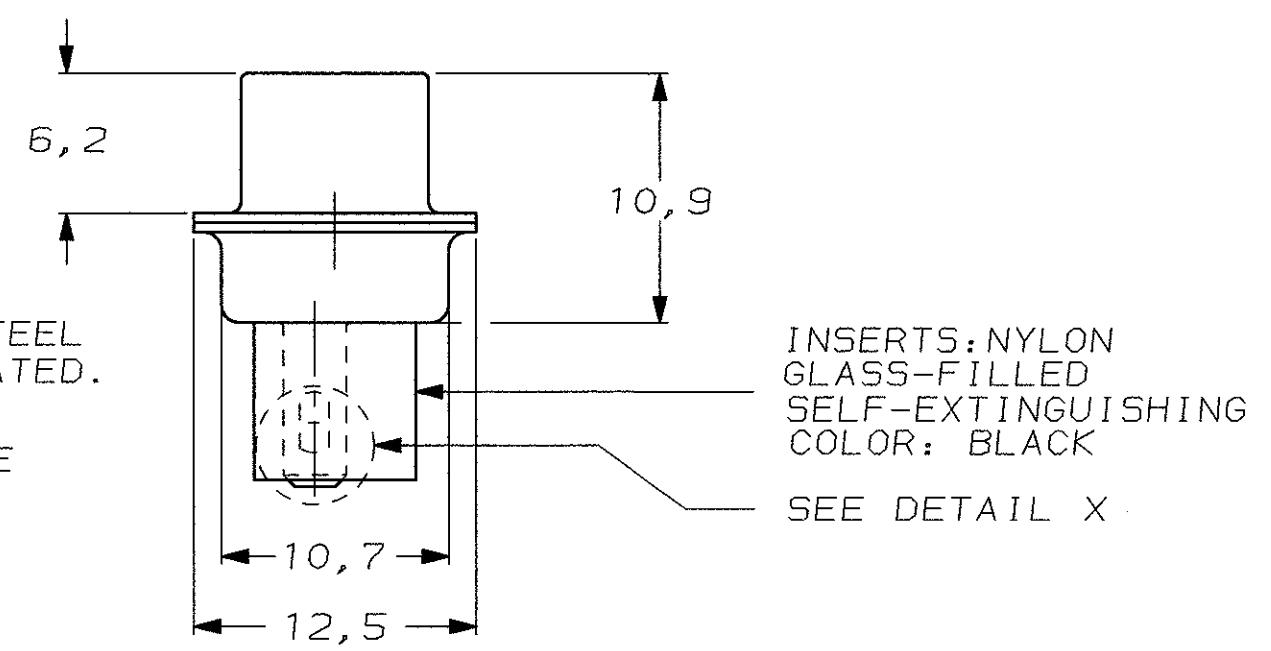
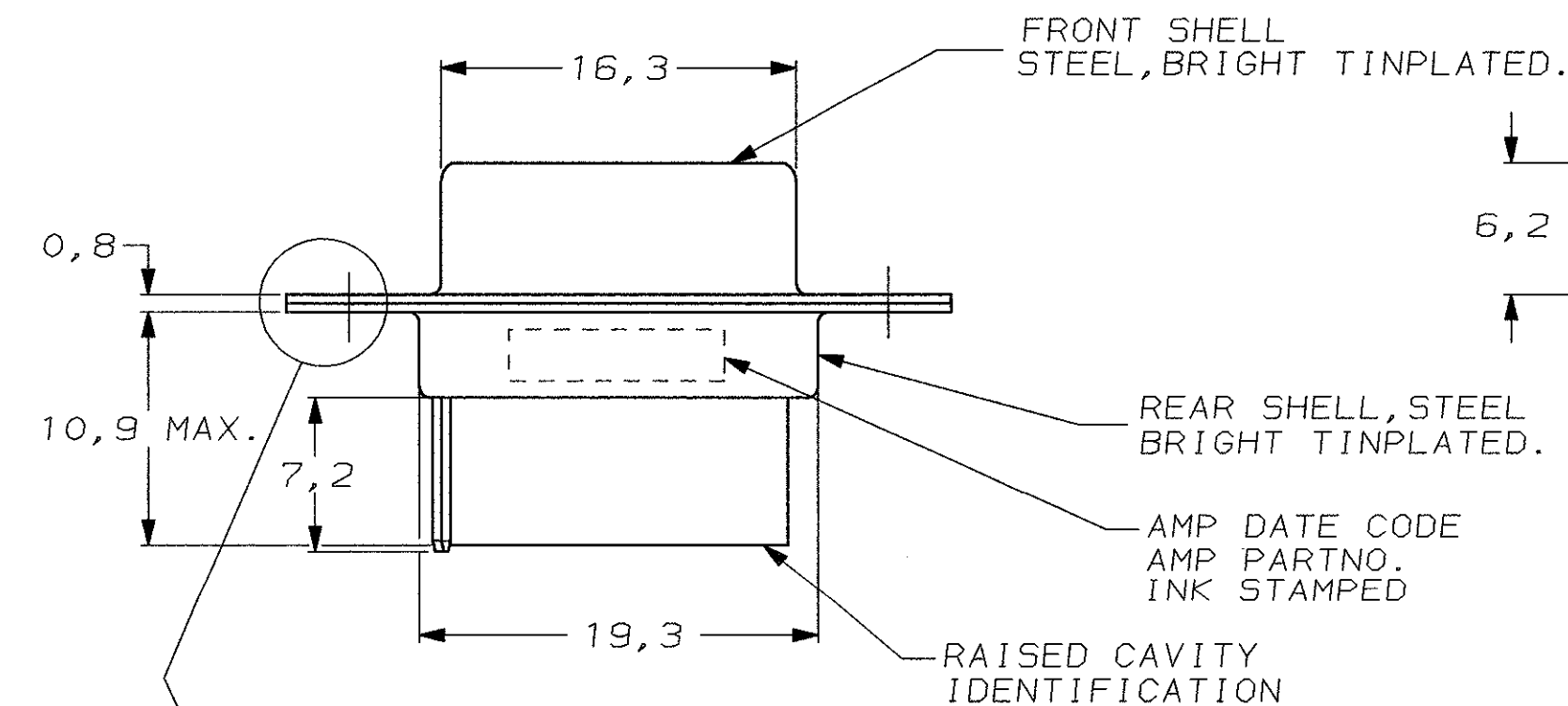
DIMENSIONS IN mm

METRIC

THIRD ANGLE
PROJECTION



- NOTES:
- 1 THIS RECEPTACLE ACCEPTS SIZE 20 REC. CONTACTS.
 - 2 MAXIMUM WIRE INSULATION RECOMMENDED FOR USE WITH THIS RECEPTACLE IS 1,73 DIA. MAX..
 - 3 RETENTION TINES ARE AN INTEGRAL PART OF INSERT.
 - 4 FOLLOWING INSERTION/REMOVAL TOOLS ARE RECOMMENDED FOR USE WITH THESE CONNECTORS:
- | | |
|---------------------------|---------------------------|
| 32-28AWG/28-24AWG CONT'S | 24-20AWG CONTACTS |
| 91067-3 INSERTION/REMOVAL | 91067-2 INSERTION/REMOVAL |
| 726363-1 INSERTION ONLY | 726363-1 INSERTION ONLY |
| | 726364-1 REMOVAL ONLY |



SEE DRAWING	SEE DRAWING	-	
FINISH	MATERIAL	PARTNUMBER	
-	-	-	
CUSTOMER DRAWING FOR REFERENCE ONLY WILL NOT BE UPDATED			
© COPYRIGHT 19- BY AMP HOLLAND B.V. ALL INTERNATIONAL RIGHTS RESERVED. AMP PRODUCTS MAY BE COVERED BY U.S. AND FOREIGN AND/OR PATENTS PENDING.			
THIS DRAWING IS UNPUBLISHED RELEASED FOR PUBLICATION _____, 19____			
AMP		AMP HOLLAND B.V. 's-Hertogenbosch, The Netherlands.	
NAME HDP-20 REC. CONNECTOR SIZE 1. (9 POSITION) WITH SOLDER TAB			
B	EH-0334-96	RI.V	R.F. 05 MAR 96
LTR.	REVISION RECORD	DR.	CHK. DATE
DR. : L.V.D.HEIJDEN	CHK. : C.V.TILBURG.	APP. : L.V.SOEST.	DWG.No. C-215715
DATE: 29.06.87	DATE: 07-07-87	DATE: 28-07-87	REV.LTR. B SHEET 1 OF 1 A3