

NEW


0.3mm Pitch, 0.9mm Height FPC Connector

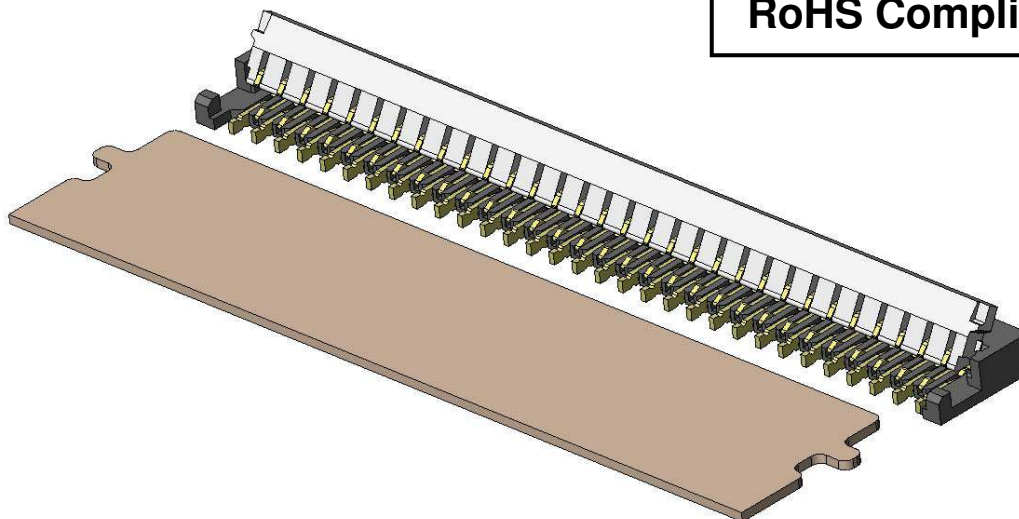
CONNECTOR

MB-0222-5

January 2013

FB10 Series

RoHS Compliant



The FB10 Series is a 0.3mm pitch, low profile, bottom-surface connection type FPC connector that is ideally suited for ever-smaller hand-held devices such as smartphones and tablet PCs.

Features

- Space-saving FPC connector with 0.3mm pitch, 0.9mm overall height, 2.5mm depth.
- Applicable FPC thickness $0.2 \pm 0.03\text{mm}$, ZIF structure, bottom-surface connection type.
- Guides for FPC sides prevent misalignment by holding the FPC in place until the actuator locks.
- Easy actuator operation.
- Open actuator is lightly locked in place so it does not to interfere with FPC insertion.
- Board pattern traces are possible under the connector (excluding terminal area).
- Pb-free, halogen-free compliant product.
- Ni barrier prevents solder wicking.
- Compliant with rated current of DC 0.35A per contact.

General Specifications

- | | |
|--|---|
| ■No. of Contacts: 11 to 61 positions | ■Rated Current: DC 0.35 A per contact |
| ■Contact Resistance: $80\text{m}\Omega$ max | ■Rated Voltage: AC, DC each 50V per contact |
| ■Dielectric Withstanding Voltage:
AC250 Vr.m.s per minute | ■Applicable FPC Thickness:
$0.2 \pm 0.03\text{mm}$ |
| ■Operating Temperature:
-40 Deg. C to +85 Deg. C | ■Pitch: 0.3mm staggered alignment |
| ■Durability: 20 mating cycles | |

Materials and Finishes

Component	Material / Finish
Housing	Heat-resistant resin (Halogen-free)
Actuator	Heat-resistant resin (Black, Halogen-free)
Contact (2 types)	Copper alloy / Au plating over Ni Contact: 0.1 μm min. Au plating Terminal: 0.03 μm min. Au plating

Ordering Information

FB10 S0 ** J A 2 - R6000

Series

Reel Product: 6000 pcs.

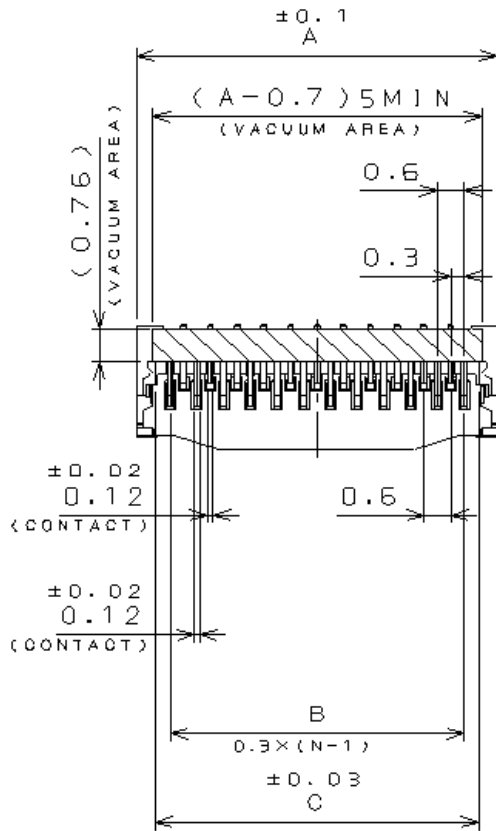
No. of Contacts

Modification Code

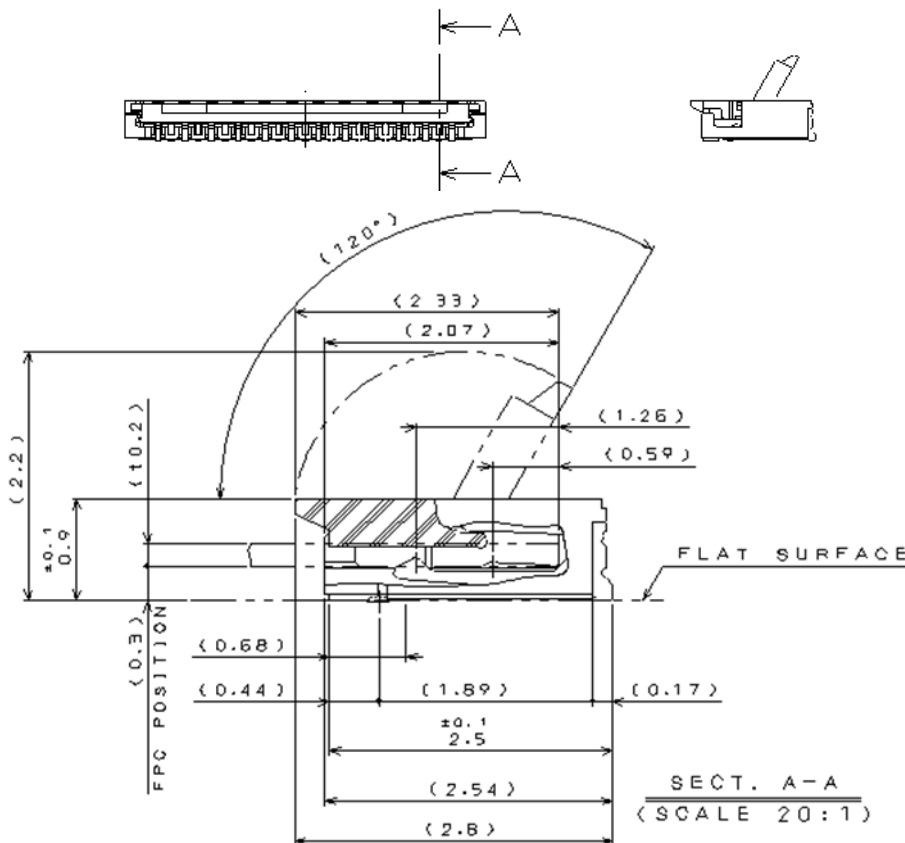
Number of Contacts Available

No. of Contacts	Development Status
11	Samples available
13	Now in mass-production
15	Now in mass-production
19	Samples available
21	Samples available
27	Now in mass-production
31	Now in mass-production
33	Now in mass-production
35	Samples available
39	Now in mass-production
41	Now in mass-production
45	Now in mass-production
51	Now in mass-production
61	Now in mass-production

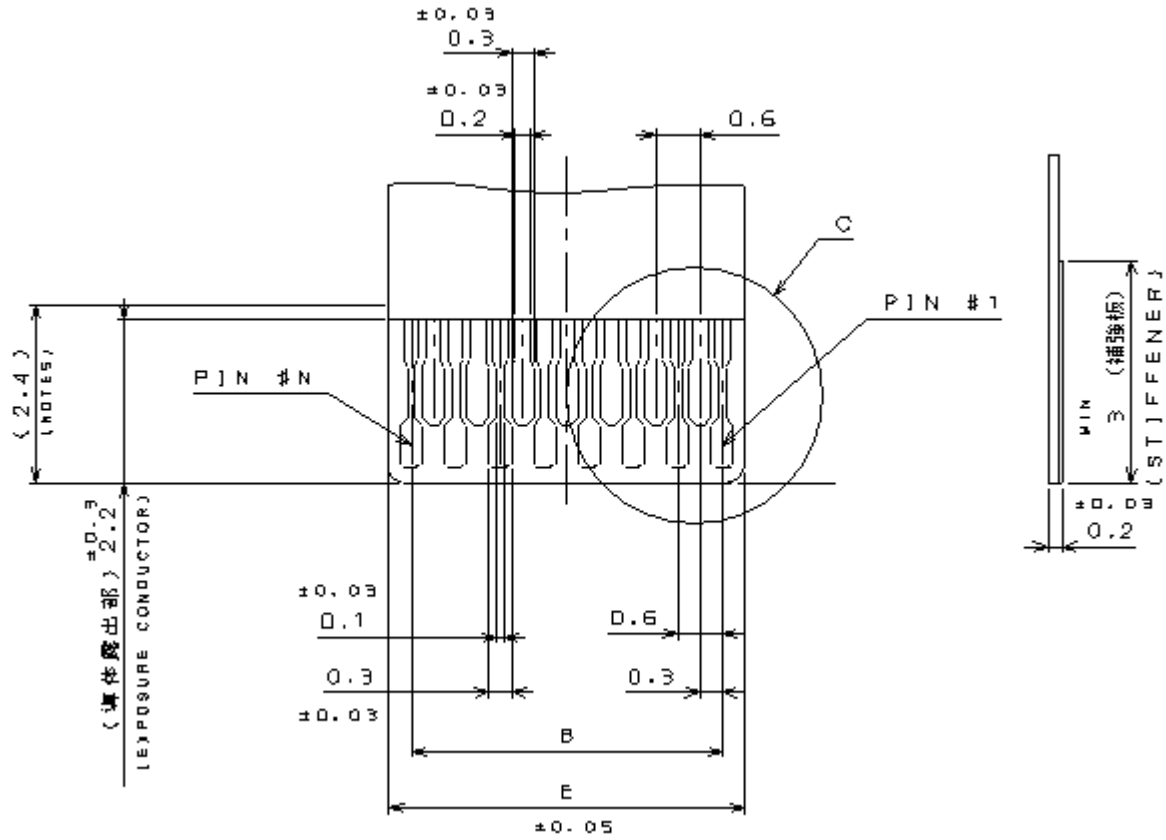
Part Number	FB10S0**JA2
SJ Drawing	SJ111993



No. of Contacts	Dim. A	Dim. B	Dim. C
11	4.5	3.0	3.67
13	5.1	3.6	4.27
15	5.7	4.2	4.87
19	6.9	5.4	6.07
21	7.5	6.0	6.67
27	9.3	7.8	8.47
31	10.5	9.0	9.67
33	11.1	9.6	10.27
35	11.7	10.2	10.87
39	12.9	11.4	12.07
41	13.5	12.0	12.67
45	14.7	13.2	13.87
51	16.5	15.0	15.67
61	19.5	18.0	18.67

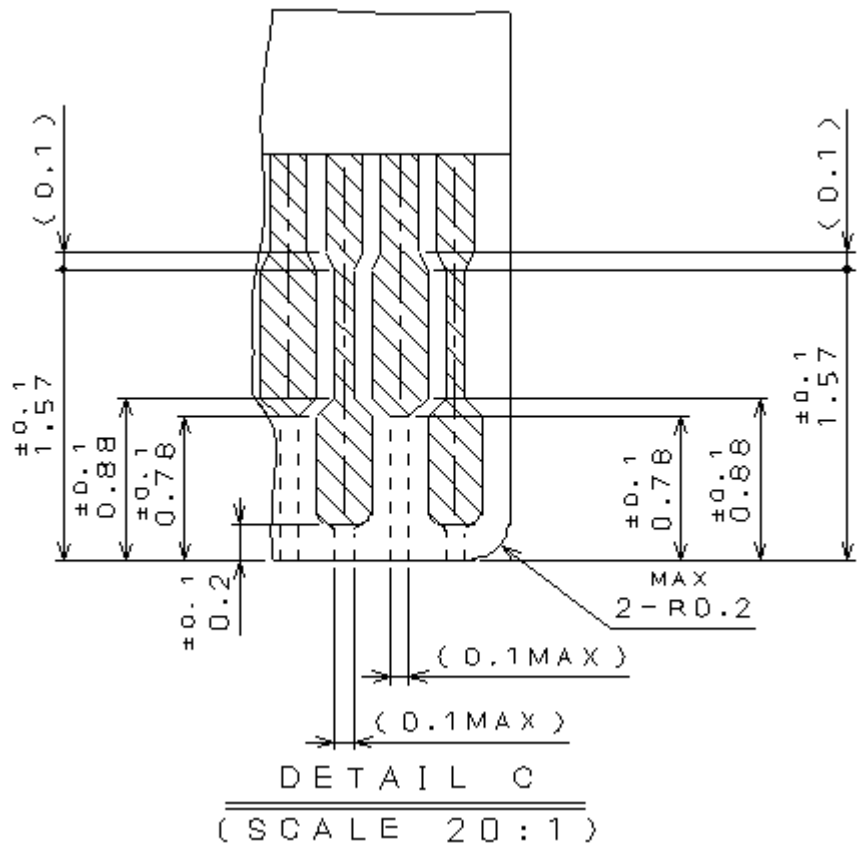


Unit: mm

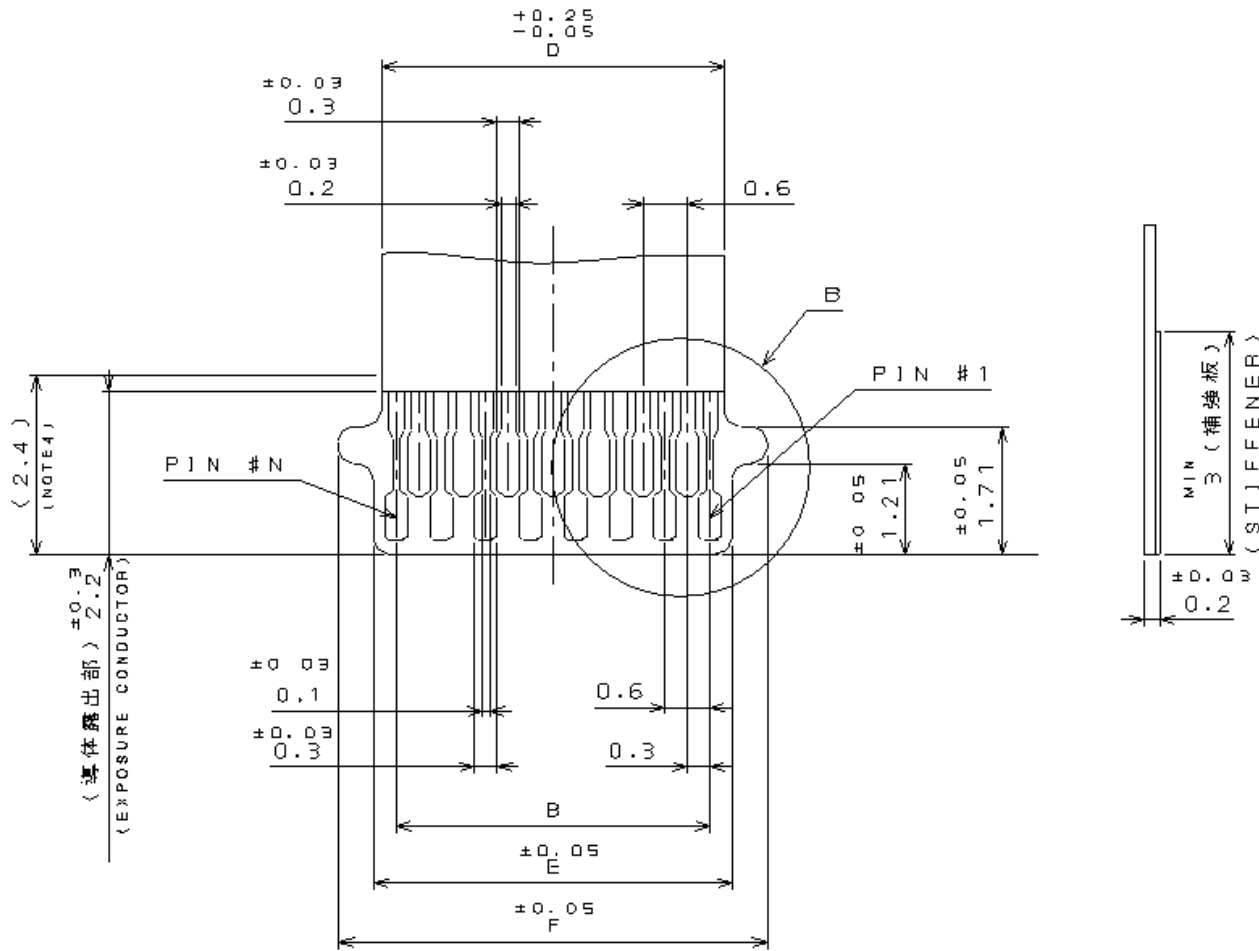


FPC without guides

No. of Contacts	Dim. E
11	3.6
13	4.2
15	4.8
19	6.0
21	6.6
27	8.4
31	9.6
33	10.2
35	10.8
39	12.0
41	12.6
45	13.8
51	15.6
61	18.6

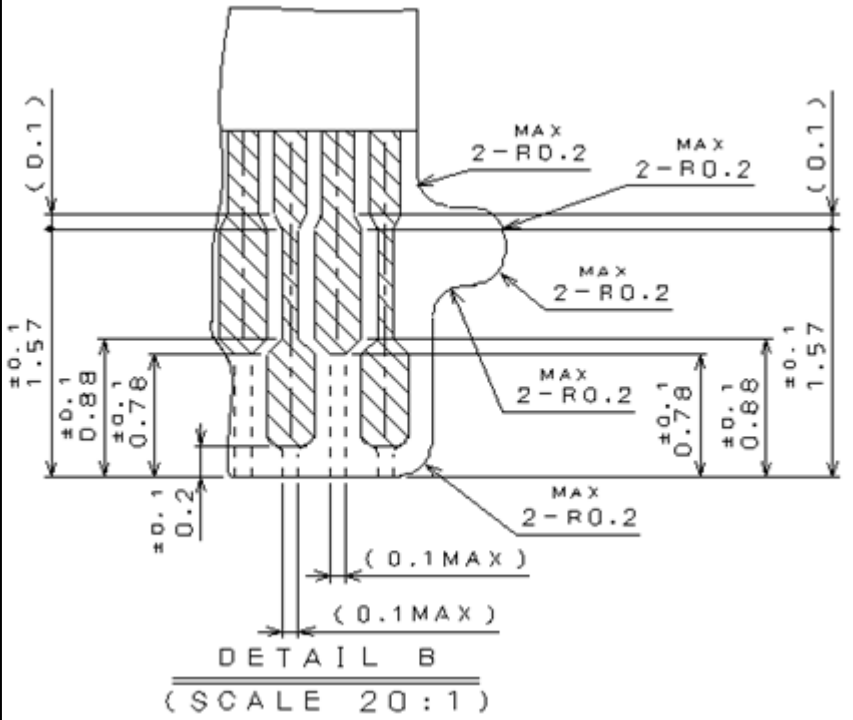


Unit: mm

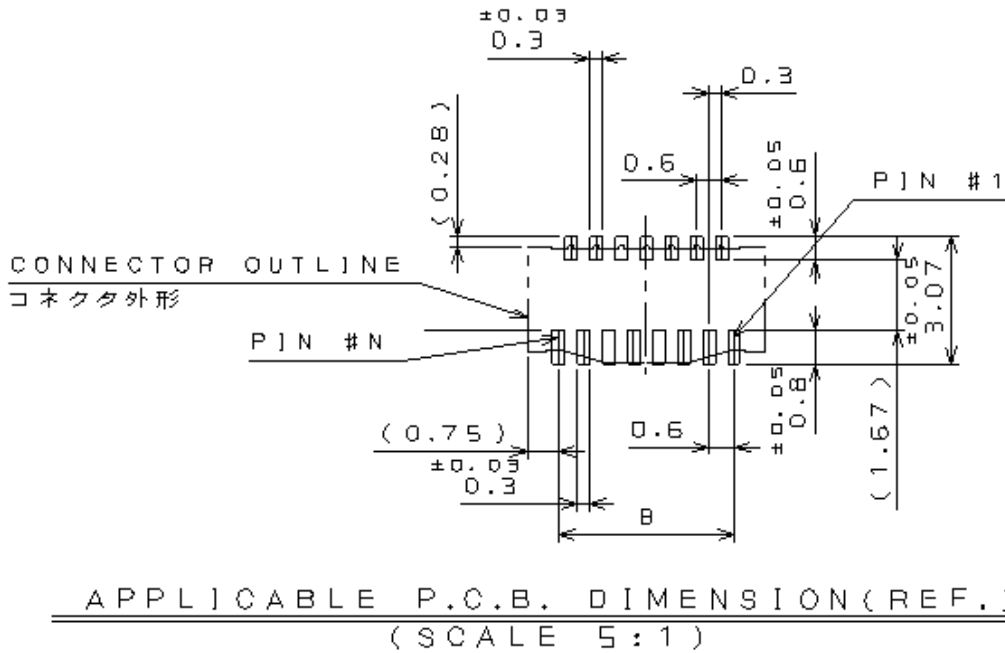


FPC with guides

No. of Contacts	Dim. D	Dim. E	Dim. F
11	3.4	3.6	4.54
13	4.0	4.2	5.14
15	4.6	4.8	5.74
19	5.8	6.0	6.94
21	6.4	6.6	7.54
27	8.2	8.4	9.34
31	9.4	9.6	10.54
33	10.0	10.2	11.14
35	10.0	10.8	11.74
39	11.8	12.0	12.94
41	12.4	12.6	13.54
45	13.6	13.8	14.74
51	15.4	15.6	16.54
61	18.4	18.6	19.54



Unit: mm



No. of Contacts	Dim. B
11	3.0
13	3.6
15	4.2
19	5.4
21	6.0
27	7.8
31	9.0
33	9.6
35	10.2
39	11.4
41	12.0
45	13.2
51	15.0
61	18.0

Unit: mm

Related Documents

SJ Drawing	SJ111993
Packaging Drawing	SJ111994
Specifications	JACS-10724-1
Handling Instructions	JAHL-10724-1

Notice: Products shown in this brochure are made for the applications listed below. However, if the above-mentioned products are to be used in aerospace devices, marine cable-connection devices, atomic power control systems, medical equipment for life-support systems, or any other specific application requiring extremely high reliability, please contact JAE for further information.

Recommended applications: Computers, Office machines, Measuring devices, Telecommunication devices (Terminals, Mobile devices), AV devices, Household applications, FA devices, etc.

Product Marketing Division
Aobadai Building, 3-1-19, Aobadai, Meguro-ku, Tokyo 153-8539
Phone: +81-3-3780-2882 FAX: +81-3-3780-2946

* The specifications in this brochure are subject to change without notice. Please contact JAE for information.