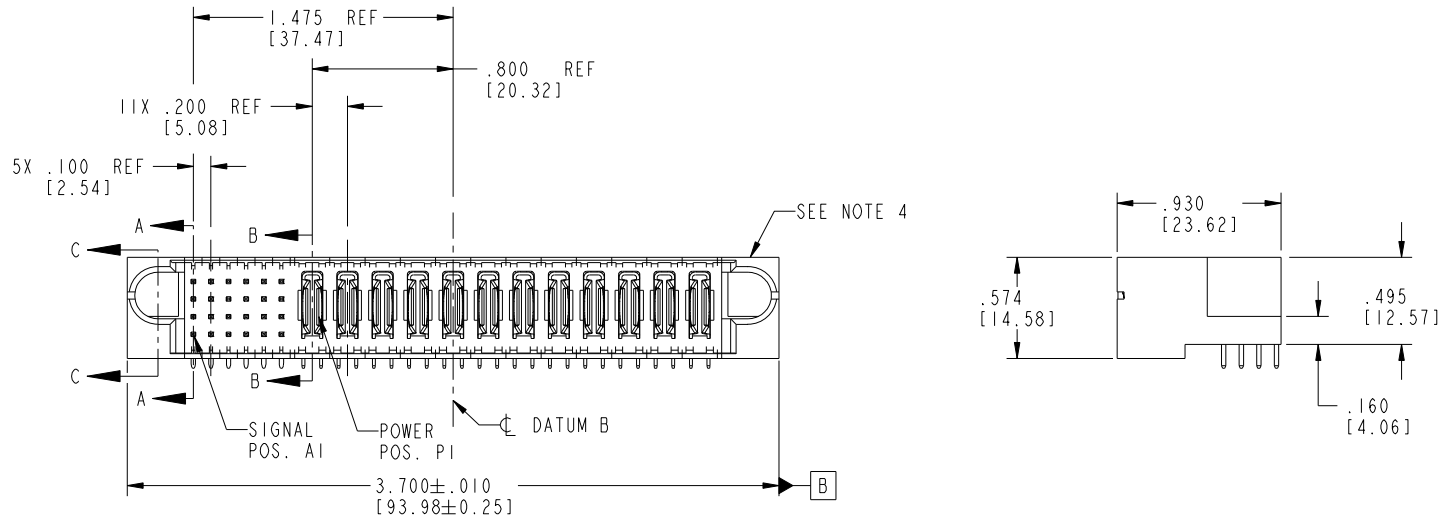


Tous droits strictement réservés. Reproduction ou communication à des tiers interdite sous quelque forme que ce soit sans autorisation écrite du propriétaire. Propriété de c.FCI. Droits de reproduction FCI.



All rights strictly reserved. Reproduction or issue to third parties in any form whatever is not permitted without written authority from the proprietor. Property of FCI. Copyright FCI.

PRODUCT NO.	ROWS	SIGNAL						POWER						E2				
		E1	1	2	3	4	5	6	P1	P2	P3	P4	P5		P6	P7	P8	P9
51939-098... NOTE: 3	D C B A	UUUUUUU TTTTTTTT SSSSSSSS RRRRRRR						PA PA PA PA PA PA PA PA PA PA PA PA										



CODE	DIM "M" MATING LENGTH	CONTACT TYPE
R	.270 [6.86]	SIGNAL
S	.270 [6.86]	SIGNAL
T	.270 [6.86]	SIGNAL
U	.270 [6.86]	SIGNAL
PA	N/A [N/A]	POWER

mat'l code SEE NOTE 2				tolerances unless otherwise specified		CUSTOMER		FCI	
ltr	ecn no.	dr	date	linear	.XX±.01/0.X±0.3	COPY		www.fciconnect.com	
A	V03-1300	TAB	12/09/03		.XXX±.005/0.XX±0.13	projection		title 24S + 12P	
B	DG06-0014	JMG	01/16/06		.XXX±.0020/0.XXX±0.051	INCH/MM		RIGHT ANGLE SOLDER HEADER	
C	DG09-0003	WD	01/17/09	angles	0°±2°	scale 1:1		product family PwrBlade code 213	
				dr	T. BRUNGARD 12/09/03			size dwg no 51939-098	
				enr	M. GRAY 12/09/03			sheet 1 of 4	
				chr	M. GRAY 12/09/03				
				appd	M. GRAY 12/09/03				
sheet index	revision sheet	C 1	C 2	C 3	C 4			cage code 22526	

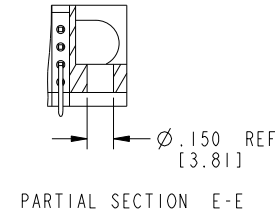
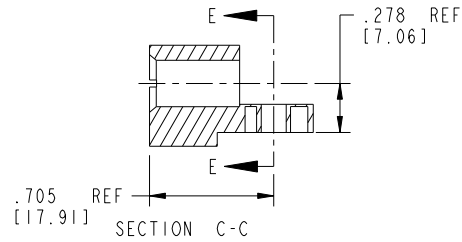
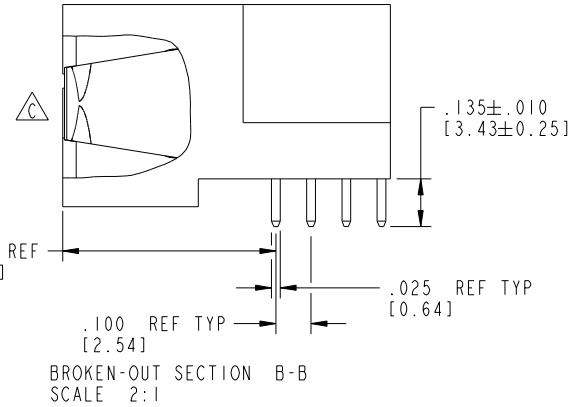
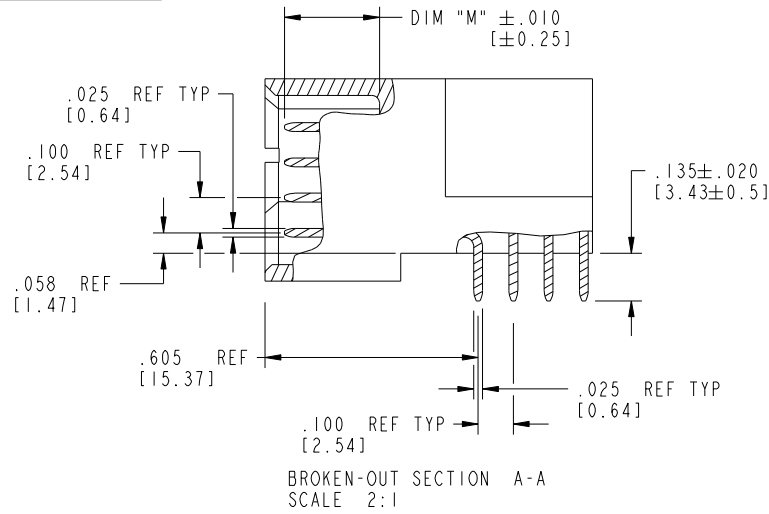
Pro/E

cage code 22526

Tous droits strictement reserves. Reproduction ou communication a des tiers interdicte sous quelque forme que ce soit sans autorisation ecrite du proprietaire. Propriete de c FCI. Droits de reproduction FCI.

All rights strictly reserved. Reproduction or issue to third parties in any form whatsoever is not permitted without written authority from the proprietor. Property of FCI. Copyright FCI.

PRODUCT NUMBER  
51939-098\_\_  
NOTE: 3



mat'l code		SEE NOTE 2		tolerances unless otherwise specified		CUSTOMER		FCJ	
ltr	ecn no.	dr	date	linear	.XX±.01/0.X±0.3	COPY		www.fciconnect.com	
C				linear	.XXX±.005/0.XX±0.13	projection		title 24S + 12P	
				angles	.XXX±.0020/0.XXX±0.051	INCH/MM		RIGHT ANGLE SOLDER HEADER	
				dr	0°+2°	scale		product family PwrBlade code	
				enr	T. BRUNGARD 12/09/03	1:1		size dwg no 213	
				chr	M. GRAY 12/09/03	A		sheet	
				appd	M. GRAY 12/09/03	51939-098		2 of 4	
sheet index	revision sheet								

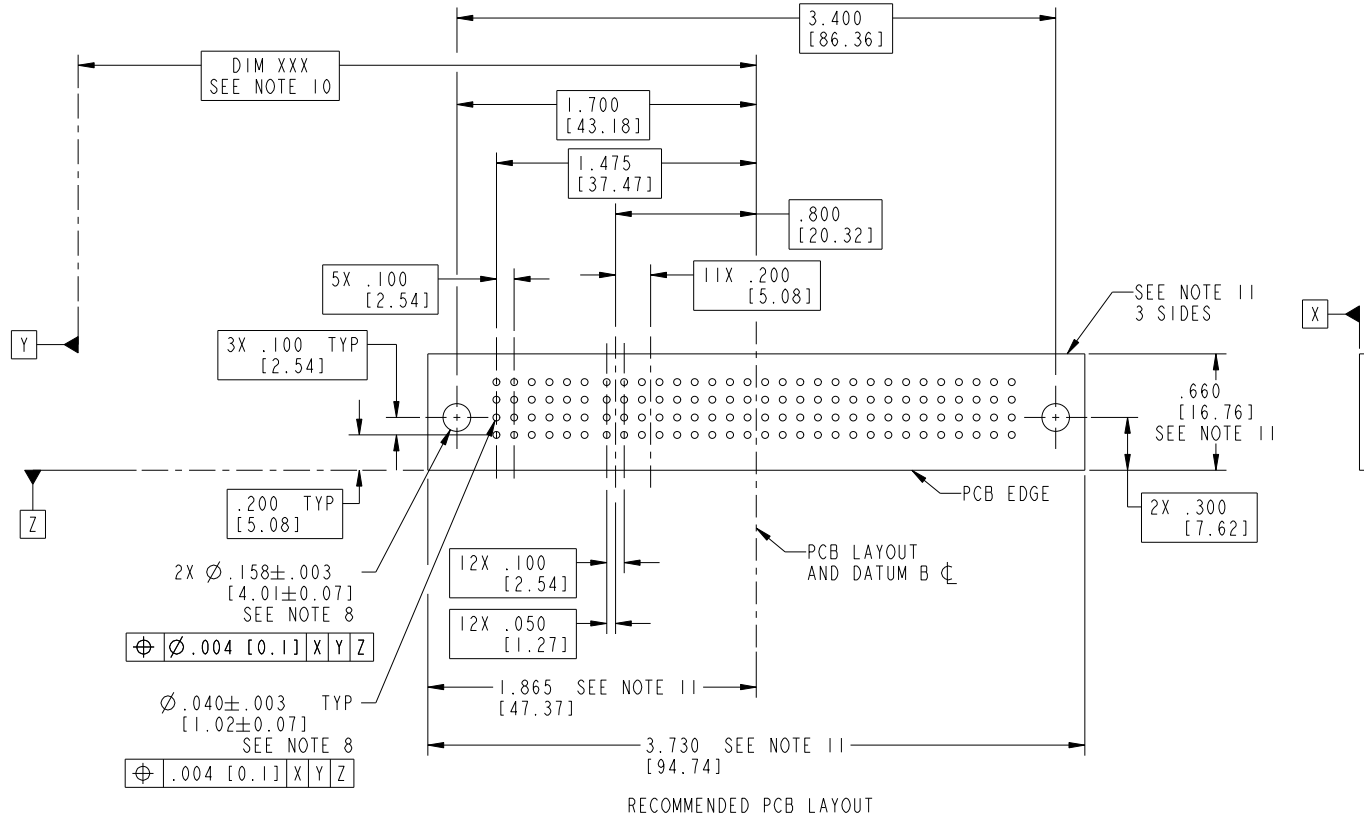
cage code 22526

Pro/E

Tous droits strictement reserves. Reproduction ou communication a des tiers interdicte sous quelque forme que ce soit sans autorisation ecrite du proprietaire. Propriete de c FCI. Droits de reproduction FCI.

All rights strictly reserved. Reproduction or issue to third parties in any form whatever is not permitted without written authority from the proprietor. Property of FCI. Copyright FCI.

PRODUCT NUMBER  
51939-098\_\_  
NOTE: 3



RECOMMENDED PCB LAYOUT

mat'l code		SEE NOTE 2		tolerances unless otherwise specified		CUSTOMER		FCI		www.fciconnect.com	
ltr	ecn no.	dr	date	linear	.XX±.01/0.X±0.3	COPY		projection		title	
C					.XXX±.005/0.XX±0.13	INCH/MM		RIGHT ANGLE		24S + 12P	
				angles	.XXX±.002/0.XXX±0.051	scale		product family		code	
				dr	0°±2°	1:1		PwrBlade		213	
				enr	T. BRUNGARD 12/09/03			size		sheet	
				chr	M. GRAY 12/09/03			dwg no		3 of 4	
				appd	M. GRAY 12/09/03			51939-098			
sheet index	revision sheet										

cage code 22526

Pro/E

Tous droits strictement reserves. Reproduction ou communication a des tiers interdite sous quelque forme que ce soit sans autorisation écrite du propriétaire. Propriete de c FCI. Droits de reproduction FCI.



All rights strictly reserved. Reproduction or issue to third parties in any form whatever is not permitted without written authority from the proprietor. Property of FCI. Copyright FCI.

PRODUCT NUMBER
51939-098__
NOTE: 3

NOTES:

1. DIMENSIONS AND TOLERANCES ARE IN ACCORDANCE WITH ASME Y14.5M, 1994 UNLESS OTHERWISE SPECIFIED.

CONNECTOR NOTES:

- 2. HOUSING MATERIAL: UL 94 V-0 GLASS FILLED HIGH-TEMP THERMOPLASTIC  
POWER CONTACT MATERIAL: COPPER ALLOY  
SIGNAL PIN MATERIAL: COPPER ALLOY
- 3. SEE ITEM 1 & 2 IN PRINT 10064183 FOR PLATING SPEC OF 51939-098 AND 51939-098LF RESPECTIVELY.
- 4. MANUFACTURER'S NAME, P/N, AND DATE CODE TO APPEAR ON THIS SURFACE.
- 5. PRODUCT SPECIFICATION GS-12-149.  
APPLICATION SPECIFICATION BUS-20-067.
- 6. PACKAGED IN TRAYS.

PCB NOTES:

- 7. ALL HOLE DIAMETERS ARE FINISHED HOLE SIZE.
- 8. MOUNTING HOLES, WHERE APPLICABLE, ARE UNPLATED.
- 9.  $\varnothing .0453 \pm .0010$  [1.151  $\pm$  0.025] DRILLED HOLES PLATED WITH  
.0003 [0.008] MIN SnPb OVER .001 [0.03]  
TO .003 [0.08] Cu PLATING TO ACHIEVE  
 $\varnothing .040 \pm .003$  [1.02  $\pm$  .07] HOLE.
- 10. "DIM XXX" TO BE DETERMINED BY THE CUSTOMER.
- 11. CONNECTOR KEEP-OUT ZONE.
- 12. A  $\triangle$ SYMBOL WILL BE NEXT TO ANY DIMENSION, VIEW, OR NOTE WHICH HAS BEEN MODIFIED WITH THE CURRENT DRAWING REVISION.

mat'l code		SEE NOTE 2		tolerances unless otherwise specified		CUSTOMER				www.fciconnect.com	
ltr	ecn no.	dr	date	linear	.XX+ .01/0.X+0.3	COPY		projection		title	
C					.XXX+ .005/0.XX+0.13					24S + 12P	
				angles	.XXX+ .002/0.XXX+0.051					RIGHT ANGLE SOLDER HEADER	
					0° + 2°					product family	
				dr	T. BRUNGARD 12/09/03	INCH/MM		scale		PwrBlade code	
				enr	M. GRAY 12/09/03	1:1		size		213	
				chr	M. GRAY 12/09/03			dwg no		sheet	
				appd	M. GRAY 12/09/03			A 51939-098		4 of 4	
sheet index	revision sheet										

cage code 22526