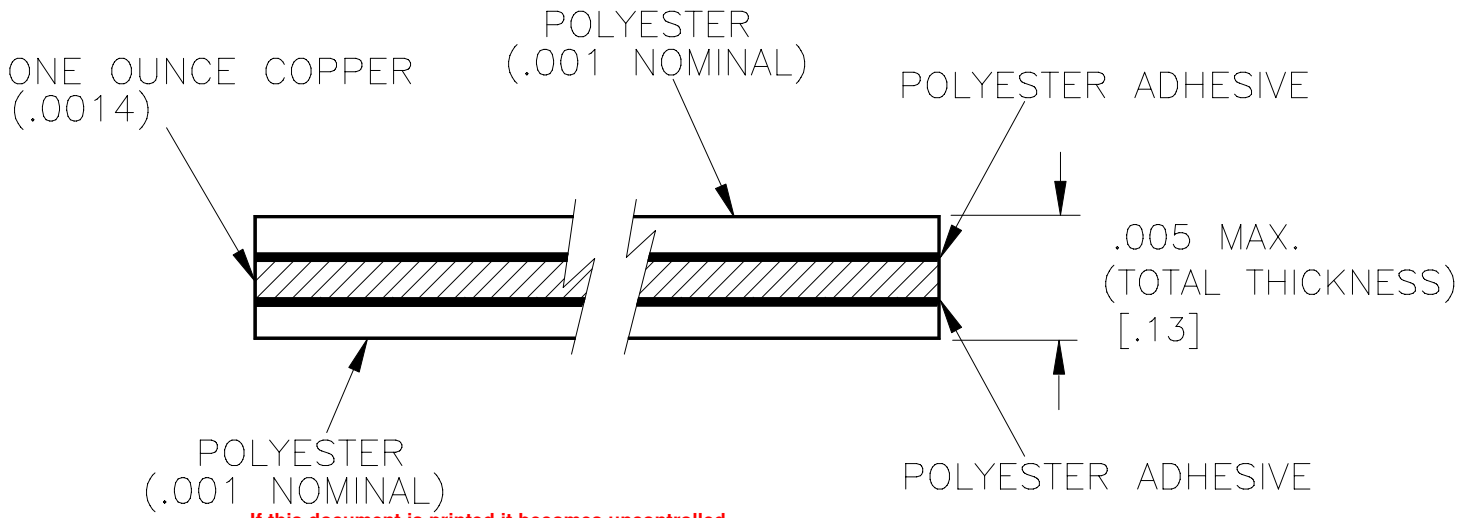
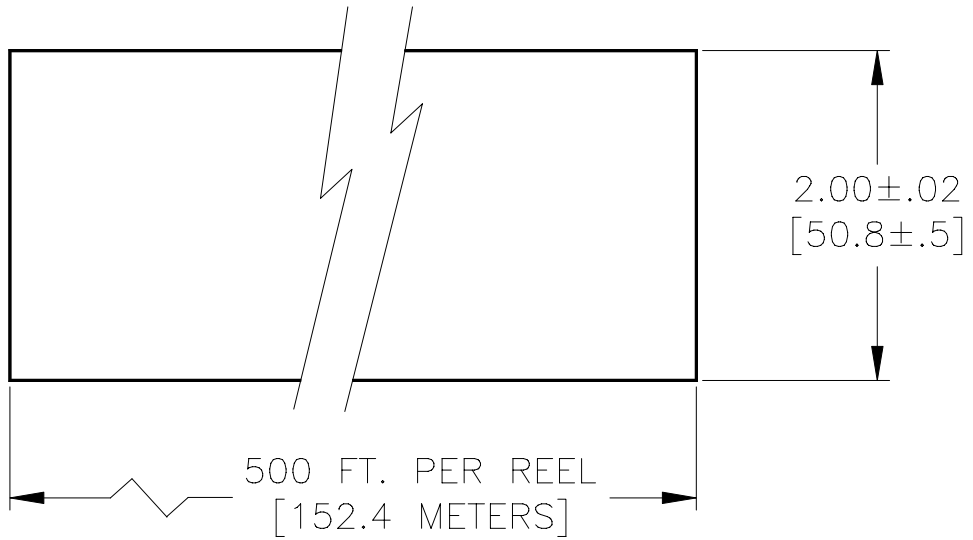


REVISIONS			
LTR	DESCRIPTION	DATE	APPROVED
D	REVISED AND REDRAWN PER DCR# T-22443	10/23/98	M.HIGGY
E	REVISED PER DCR# T-23888	12/30/99	M.HIGGY

NOTES:

1. PACKAGE IS 500 FEET PER REEL.
2. LENGTH TOLERANCE IS  $\pm 2\%$
3. WHEN INSTALLED IN DIRECT CONTACT WITH FLAT CONDUCTOR CABLE, THIS SHIELD MEETS THE REQUIREMENTS OF RAYCHEM SPECIFICATION C-6119, SURFACE TRANSFER IMPEDANCE LEVEL IS APPLICATION DEPENDENT.



If this document is printed it becomes uncontrolled.  
Check with the web for latest revision.

SPECIFICATION CONTROL DRAWING

UNLESS OTHERWISE SPECIFIED DIMENSIONS ARE IN INCHES. METRIC DIMENSIONS ARE IN BRACKETS.

DECIMALS  
.XXX ± .010 [ — mm ]  
.XX ± .03 [ — mm ]

ANGLES  
.X — ± —

WEIGHT:  
5.74g(0.0127 Lbs) / ft. MAXIMUM

DRAWN	ZS.O.	6/11/97
CHECKED		
APPROVED		
APPROVED	M.HIGGY	6/23/97
CAD NAME	T23888.DWG	
THIRD ANGLE PROJECTION		

*Raychem* RAYCHEM CORPORATION  
300 CONSTITUTION DRIVE  
MENLO PARK, CALIFORNIA 94025

TITLE  
SHIELD FOR FLAT CABLE,  
COPPER-POLYESTER  
LAMINATE, 2 SIDES

SIZE	CODE IDENT. NO.	DWG. NO.	REV
A	06090	CHA-0045	E

DO NOT SCALE THIS DRAWING

SHEET 1 OF 1