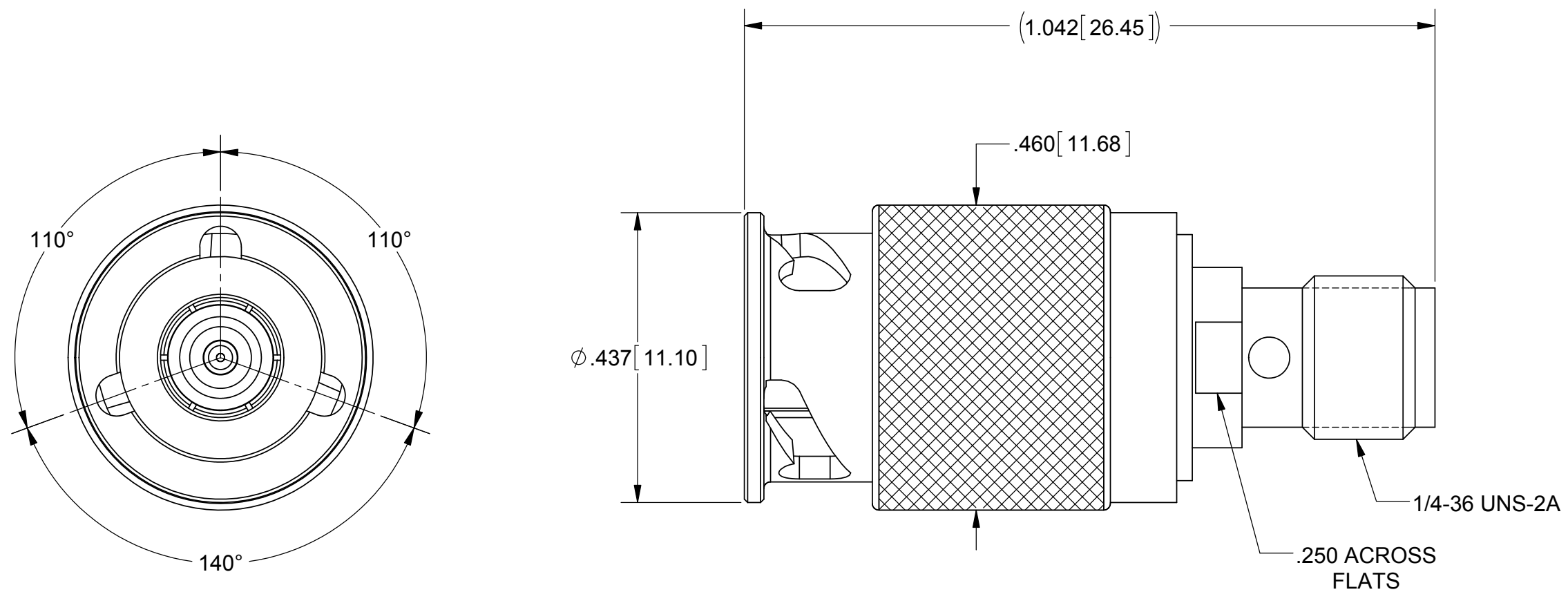


# PRODUCT DATA DRAWING

REVISION HISTORY			
REV	DESCRIPTION	DATE	APPROVED
B	DCN 42455	06/16	STW



**MATERIAL:**

BODY,  
WASHERS &  
COUPLING NUT:

STAINLESS STEEL PER AMS-5640,  
ALLOY UNS S30300, TYPE 1; OR ASTM A582  
TYPE 303, COND A

LOCK RING &  
CONTACTS:

BERYLLIUM COPPER PER ASTM B196,  
ALLOY No. UNS C17300, TD04

SPRING:

17-7 PH STAINLESS STEEL

INSULATOR:

PTFE PER ASTM D1710, TYPE I, GRADE 1, CLASS B

**FINISH:**

BODY,  
WASHERS &  
COUPLING NUT:

PASSIVATED PER AMS-2700

CONTACTS:

GOLD PER ASTM B488, TYPE II,  
CODE C, CLASS .76, OVER NICKEL  
PER AMS-QQ-N-290, CLASS 1, .00003" MIN.

**PERFORMANCE:**

IMPEDANCE:  
FREQ. RANGE:

50 OHMS  
DC TO 12.4 GHz.

MATERIAL: SEE NOTES	DIMENSIONS ARE IN INCHES TOLERANCES: FRACTIONAL: ±1/64 ANGULAR: X° ±1'0" X'X' ±15'	UNLESS OTHERWISE SPECIFIED 1) ALL DIMENSIONS ARE IN INCHES (MILLIMETERS) 2) ALL DIMENSIONS ARE AFTER PLATING. 3) BREAK CORNERS & EDGES .005 R. MAX. 4) CHAM. 1ST & LAST THREADS. 5) SURFACE ROUGHNESS 63-MIL-STD-10. 6) DIA.'S ON COMMON CENTERS TO BE CONCENTRIC WITHIN .005 T.I.R. 7) REMOVE ALL BURRS	 2400 Centrepark West Drive, Suite 100 West Palm Beach, FL 33409 TITLE: SMA JACK TO (110°/140°/110°) ZMA PLUG ADAPTER SIZE CAGE CODE DWG. NO. B 95077 SF1122-6034 SCALE: 5:1 SHEET 1 OF 1
FINISH: SEE NOTES	DECIMAL: X ±.030 .XX ±.010 .XXX ±.005		
SURFACE AREA: N/A	INTERPRET DIMENSIONS AND TOLERANCES PER ASME Y14.5M - 1994	THIRD ANGLE PROJECTION	DRAWN: VMJ 12/03/98
PROPRIETARY THE INFORMATION CONTAINED IN THIS DRAWING IS THE SOLE PROPERTY OF SV MICROWAVE, INC. ANY REPRODUCTION IN PART OR AS A WHOLE WITHOUT THE WRITTEN PERMISSION OF SV MICROWAVE, INC IS PROHIBITED.		CHECKED: JM 12/04/98	APPROVED: JM 12/04/98