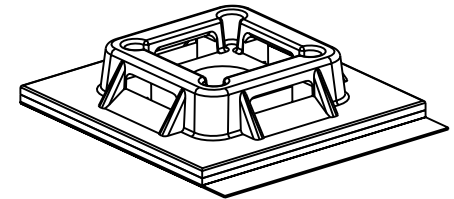
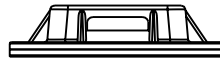
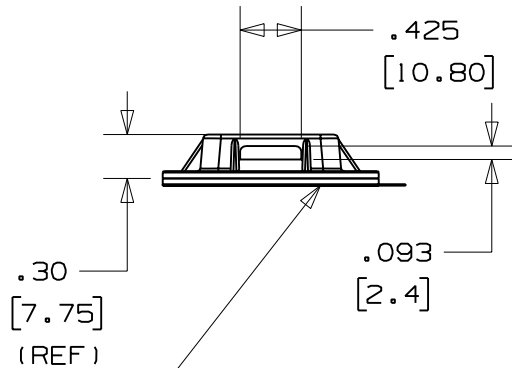
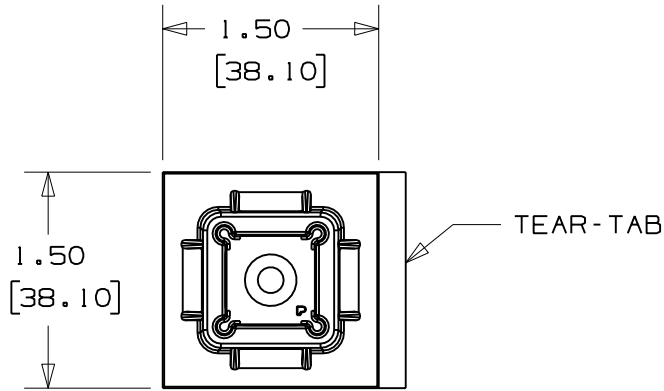


THIS COPY IS PROVIDED ON A RESTRICTED BASIS AND IS NOT TO BE USED IN ANY WAY DETRIMENTAL TO THE INTERESTS OF PANDUIT CORP.

NO WARRANTY, EXPRESSED OR IMPLIED IS MADE BY PANDUIT WITH RESPECT TO ADHESIVE BOND PERFORMANCE. AMONG OTHER THINGS, THE CONDITIONS UNDER WHICH THESE MOUNTS MAY BE APPLIED AND / OR THE SURFACE TO WHICH THEY MAY BE APPLIED ARE BEYOND PANDUIT'S CONTROL.

PANDUIT PART NO. *	RECOMMENDED FASTENER	USE WITH THESE CABLE TIE CROSS SECTIONS	WEIGHT LBS / 100 (g) / PCS
SGABM40-A- ABM40	RUBBER ADHESIVE	M, I, S, LH, H SG100M, SG150I, SG200S, SG250S, SG300S, SG370S, SG350LH, SG450H	0.83 (376.5)
SGABM40-AT- ABM40B	ACRYLIC ADHESIVE		



SCALE: FULL

NOTES

- SEE CURRENT PRICE SHEET FOR PART NUMBER SUFFIX DESIGNATION FOR PACKAGE SIZE AND COLOR.
- HOLE FOR STANDARD #8 FLAT HEAD SCREW.
- [-A] MOUNT HAS A MAXIMUM CONTINUOUS OPERATING TEMPERATURE OF 120°F (49°C).
[-AT] MOUNT HAS A MAXIMUM CONTINUOUS OPERATING TEMPERATURE OF 180°F (82°C).

ADHESIVE BACKING:

MOUNT IS DESIGNED TO SUPPORT 1.12 lbs (508g) MAX. WEIGHT ON A CLEAN DRY SMOOTH SURFACE.

*[-A] RUBBER BASED ADHESIVE PRESSURE SENSITIVE FOAM TAPE 0.04 (1.0) THICK WITH A PROTECTIVE LINER.

*[-AT] ACRYLIC BASED ADHESIVE PRESSURE SENSITIVE FOAM TAPE 0.04 (1.0) THICK WITH A PROTECTIVE LINER. MOUNT IS DESIGNED TO SUPPORT 1.12 lbs (508g) MAX. ON A CLEAN DRY SMOOTH SURFACE.

DIMENSIONS IN BRACKETS ARE METRIC [mm]

CAD FILENAME/LAYERS G03150FF_PB_SGABM40_01

PANDUIT CORP.

TINLEY PARK, ILLINOIS

ADHESIVE BACKED MOUNT -SUPER GRIP COMPATIBLE (SGABM40-
-
-
-)

UNLESS OTHERWISE SPECIFIED, DIMENSIONAL TOLERANCES ARE:
(.X) ±0.05 (1.3) (.XXX) ±0.010 (0.25)
(.XX) ±0.02 (0.5) ANGLES ±5°

UNLESS OTHERWISE SPECIFIED, ALL DIMENSIONS ARE GIVEN IN INCHES, THIRD ANGLE PROJECTION.

DRAWN BY JAD

MAT'L:

SCALE 3/4

DATE 6/12/06

NYLON 6/6

DRAWING NO. GB3150FF

DWG A

REV	DATE	BY	CHK	DESCRIPTION	ECN	R	CUST	SUP
1	9/20/06	JAD		UPDATE, ADDED TEAR-TAB	GB3150FF	1		

CHK'D

SIZE