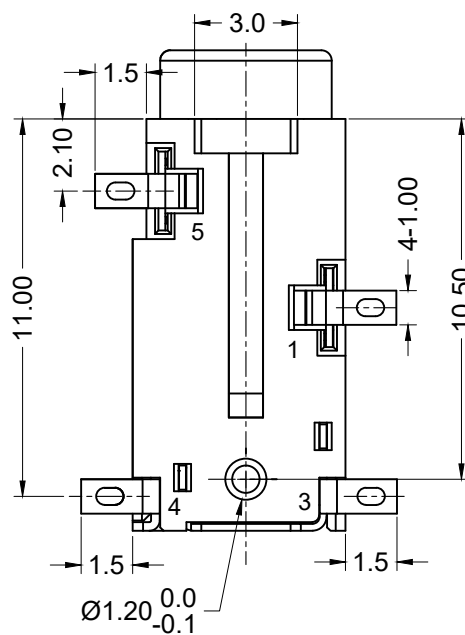
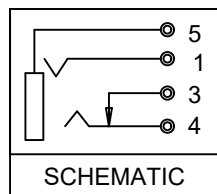


RECOMMENDED PADS LAYOUT

<TOP VIEW>



Material and Finish

Housing: High Temp Plastic
 Terminals: Copper Alloy,
 Gold Plated

Electrical Characteristics

Contact Resistance:
 Before Test: 50 milliohms max.
 After Durability Test:
 100 milliohms max.

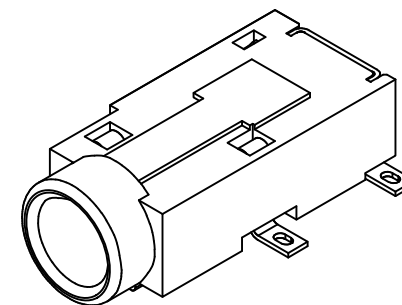
Rated Voltage: 16V DC

Rated Current: 0.3A

Insulation Resistance:
 100 Megohms min.
 at 500V DC

Dielectric Strength:
 500V AC RMS for 1 minute

Operating Temp:
 -25°C to +70°C



| Tolerances |
|----------------------------|
| X.X ± 0.25 |
| X.XX ± 0.15 |
| Unless Stated Otherwise |



| REV. | DATE | DESCRIPTION | REV. BY | CHK. BY | DRAWN BY | DATE |
|------|----------|-----------------|-----------|---------|----------|----------|
| A0 | 01/11/08 | New Drawing | WILL H. | H. MA | WILL H. | 12/12/07 |
| A1 | 01/28/08 | Release Drawing | H. MA | N/A | | |
| A2 | 09/14/09 | ECO #09-070 | S. Vien | H. MA | | |
| A3 | 04/29/14 | ECO #14-017 | W. Cook | H. MA | | |
| A4 | 08/14/18 | Update Address | D. Shehan | N/A | | |

STX-35382-4N-TR

Ø 3.5mm Earphone Jack, Plastic Bushing

4 Position, RoHS Compliant

