

MATERIALS AND FINISHES:

BODY: BRASS
 OPTION 1:
 PLATED TRI-M (80μ-in MIN)
 OPTION 2:
 PLATED GOLD (1μ-in MIN)
 OVER NICKEL PHOSPHOR (80μ-in MIN)
 OVER COPPER (20μ-in MIN)

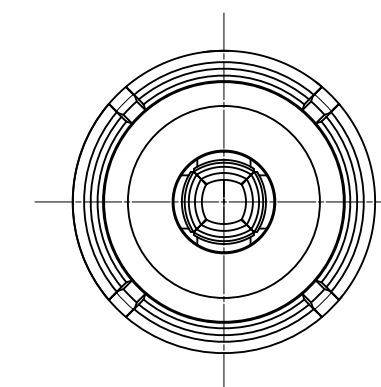
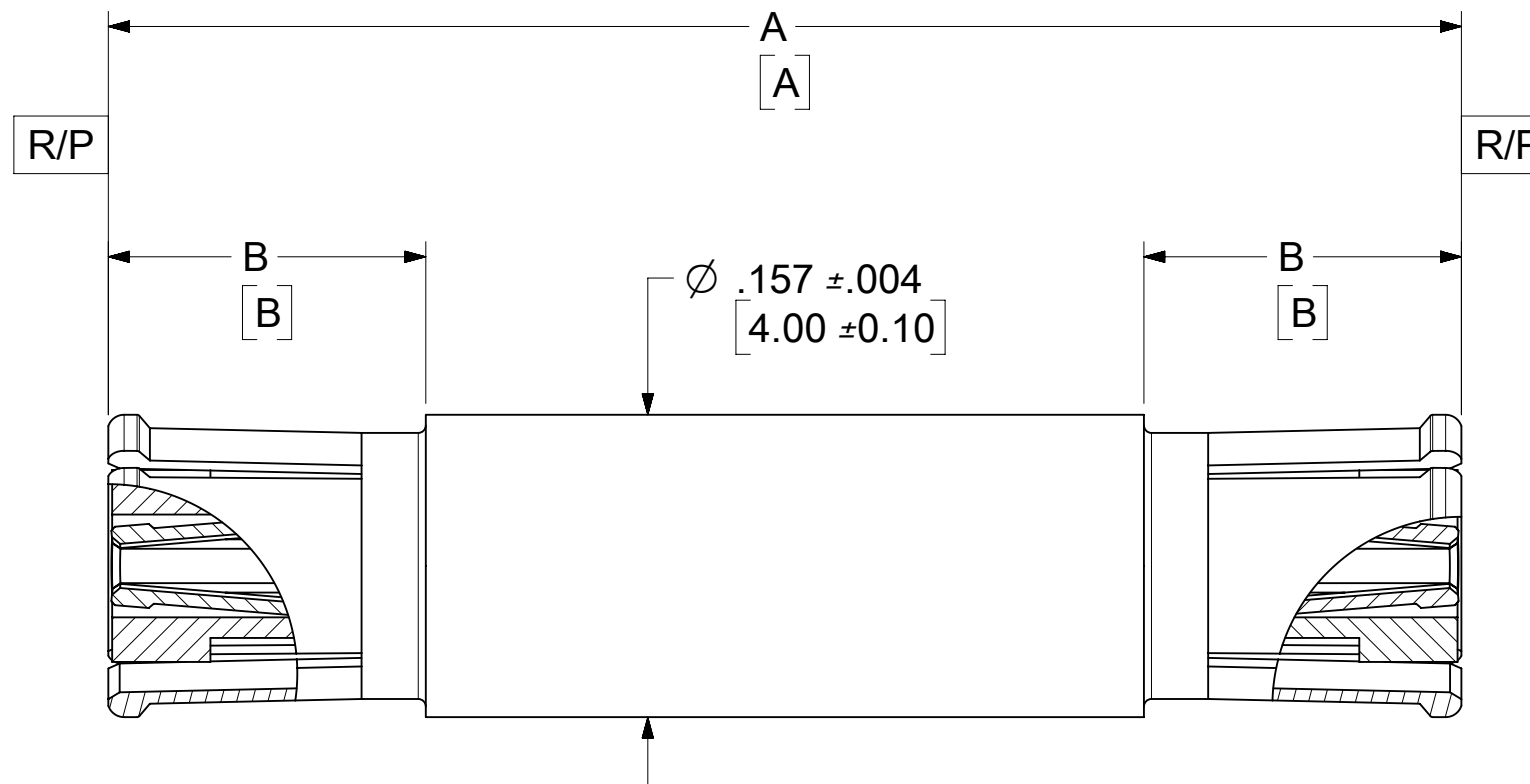
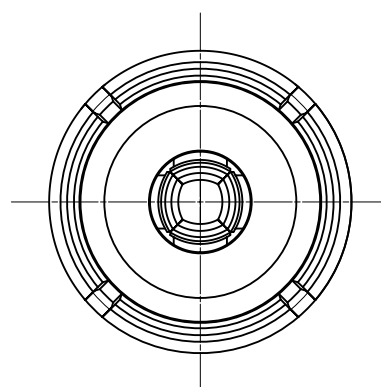
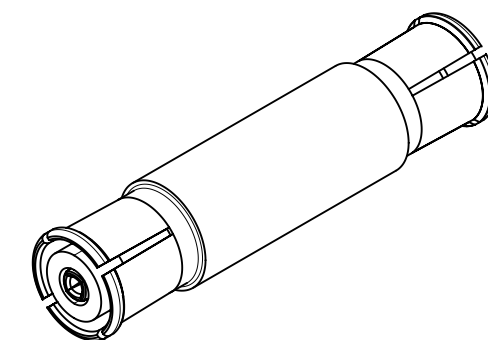
INSULATOR: PTFE

CENTER CONTACT: BERYLLIUM COPPER
 PLATED GOLD (8μ-in MIN)
 OVER NICKEL PHOSPHOR (80μ-in MIN)
 OVER COPPER (20μ-in MIN)

NOTE:
 RATED VOLTAGE 1000 Vrms

ELECTRICAL CHARACTERISTICS:

NOMINAL IMPEDANCE: 50 Ω
 FREQUENCY RANGE: 0-6 GHz
 VSWR: 1.25 MAX UP TO 3 GHz
 1.35 MAX 3-6 GHz
 INSERTION LOSS: 0.15 √F (GHz) dB MAX
 VOLTAGE RATING: 330 Vrms AT SEAL LEVEL
 DIELECTRIC WITHSTAND VOLTAGE: 1000 Vrms
 INSULATION RESISTANCE 5000 MΩ



73420-5366	.614±.004	15.60±0.10	.197±.004	5.00±0.10	OPTION 1	TRAY, 80 PCS
73420-5365	.587±.004	14.90±0.10	.165±.004	4.20±0.10	OPTION 1	TRAY, 80 PCS
73420-5364	.447±.004	11.35±0.10	.165±.004	4.20±0.10	OPTION 2	SMALL TRAY, 20 PCS
73420-5363	.705±.004	17.90±0.10	.165±.004	4.20±0.10	OPTION 1	SMALL TRAY, 20 PCS

OBSOLETE -5362

73420-5361	.447±.004	11.35±0.10	.165±.004	4.20±0.10	OPTION 2	TRAY, 80 PCS
73420-5360	.705±.004	17.90±0.10	.165±.004	4.20±0.10	OPTION 1	TRAY, 80 PCS

PART NO.	IN	MM	IN	MM	BODY FINISH	PACKAGING
	DIM A		DIM B			

A8	2020/02/13	ADD ELECTRICAL CHARACTERISTICS
REV	DATE	DESCRIPTION
		OBSOLETE -5362 PER EWR #13598-A

PS-89675-3760	ELEC/MECH PERFORMANCE
SPECIFICATION	DESCRIPTION

DOCUMENT STATUS	P1	RELEASE DATE	2020/02/24	02:54:42
-----------------	----	--------------	------------	----------

THIS DRAWING CONTAINS INFORMATION THAT IS PROPRIETARY TO MOLEX ELECTRONIC TECHNOLOGIES, LLC AND SHOULD NOT BE USED WITHOUT WRITTEN PERMISSION

DIMENSION UNITS	SCALE	CURRENT REV DESC:	molex		
INCH/MM	NTS				
GENERAL TOLERANCES (UNLESS SPECIFIED)		EC NO: 632360	SMP-MAX JACK/JACK BULLET FEMALE TO FEMALE 4 SLOTS SYM SMPMAX-BULLET		
ANGULAR TOL	± 2.0°	DRWN: RYEH 2020/02/13			
4 PLACES	±	CHK'D: YCHENG 2020/02/24	PRODUCT CUSTOMER DRAWING		
3 PLACES	±	APPR: YCHENG 2020/02/24			
2 PLACES	± 0.25	INITIAL REVISION:	DOCUMENT NUMBER		
1 PLACE	±	DRWN: RYEH 2012/12/21			
0 PLACES	±	APPR: MHUANG 2013/01/03	SD-73420-536		
DRAFT WHERE APPLICABLE MUST REMAIN WITHIN DIMENSIONS		THIRD ANGLE PROJECTION			
			C-SIZE	73420	CUSTOMER
					GENERAL MARKET
					SHEET NUMBER
					1 OF 1