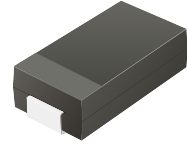


ACGRC501-HF Thru. ACGRC507-HF

Reverse Voltage: 50 to 1000 Volts

Forward Current: 5.0 Amp

RoHS Device
Halogen Free

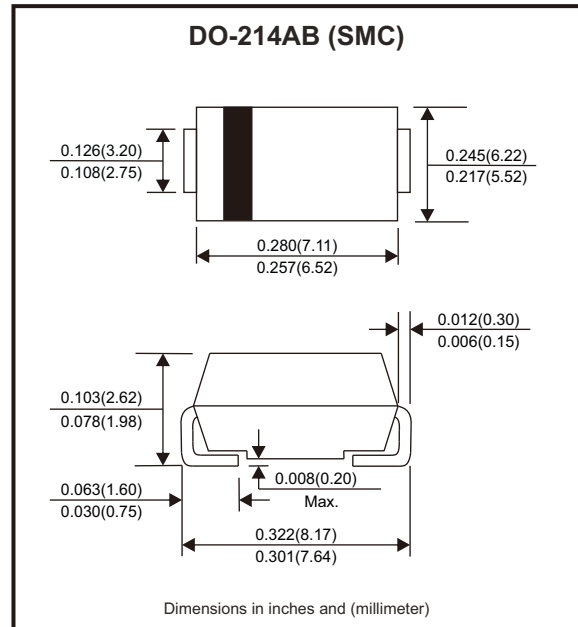


Features

- High current capability.
- High surge current capability.
- Low reverse current.
- AEC-Q101 Qualified

Mechanical data

- Case: DO-214AB / SMC, molded plastic.
- Epoxy: UL flammability classification rating 94V-0.
- Terminals: Lead free plating (Tin finish)
solderable per MIL-STD-202, method 208.
- Polarity: Cathode band.



Circuit Diagram



Maximum Ratings and Electrical Characteristics (T_A=25°C unless otherwise noted)

Parameter	Symbol	ACGRC 501-HF	ACGRC 502-HF	ACGRC 503-HF	ACGRC 504-HF	ACGRC 505-HF	ACGRC 506-HF	AGRC 507-HF	Units
Max. repetitive peak reverse voltage	V _{RRM}	50	100	200	400	600	800	1000	V
Max. DC blocking voltage	V _{DC}	50	100	200	400	600	800	1000	V
Max. RMS voltage	V _{RMS}	35	70	140	280	420	560	700	V
Max. average forward rectified current	I _F	5							A
Peak forward surge current, 8.3ms single half sine-wave superimposed on rated load	I _{FSM}	125							A
Max. instantaneous forward voltage I _F =5A @25°C	V _F	1.15							V
Max. DC reverse current @ T _A =25°C at rated DC blocking voltage @ T _A =100°C	I _R	5 100							μA
Typical junction capacitance (Note 1)	C _j	25							pF
Typical thermal resistance (Note 2)	R _{θJC}	10							°C/W
Operating temperature range	T _J	-55 to +150							°C
Storage temperature range	T _{STG}	-55 to +150							°C

Notes: 1. Measured at 1MHz and applied reverse voltage of 4.0V DC.

2. The heat sink are dimensioned as 20 x 70mm we clip the terminal of device by al pair of heat sink.(total 2pc)

Company reserves the right to improve product design , functions and reliability without notice.

REV:A

Rating and Characteristic Curves (ACGRC501-HF thru. ACGRC507-HF)

Fig.1 - Typical Forward Current Derating Curve

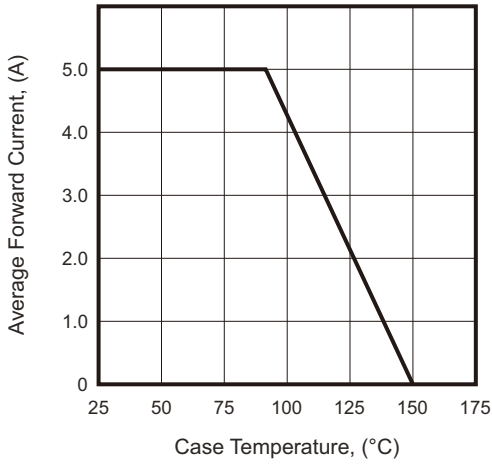


Fig.2 - Typical Forward Characteristics

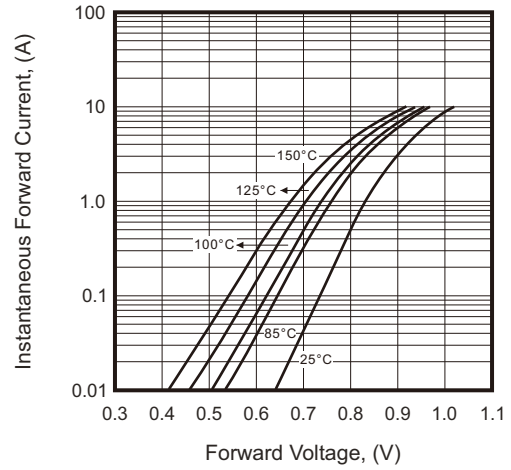


Fig.3 - Maximum Non-Repetitive Forward Surge Current

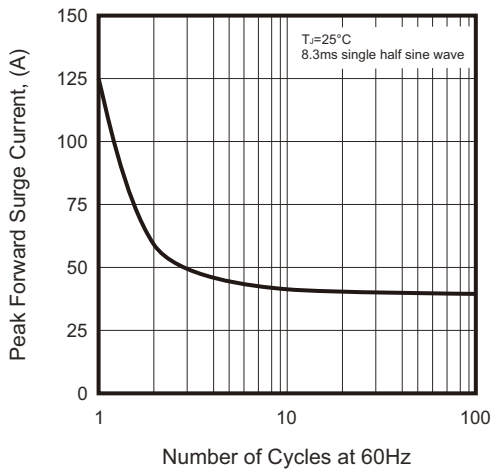


Fig.4 - Typical Reverse Characteristics

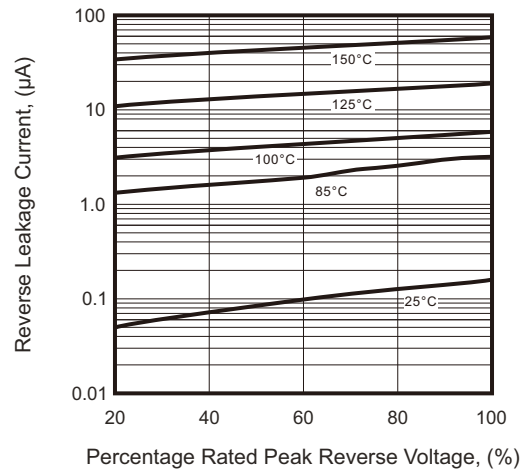
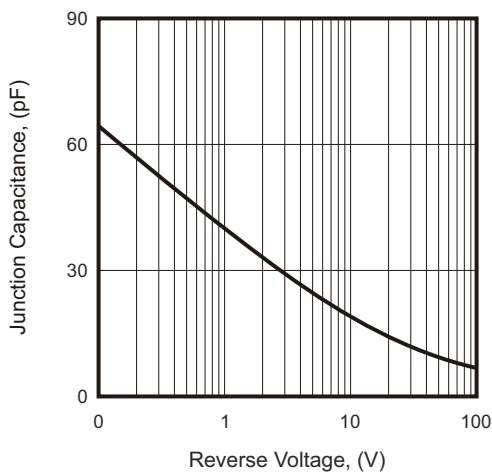
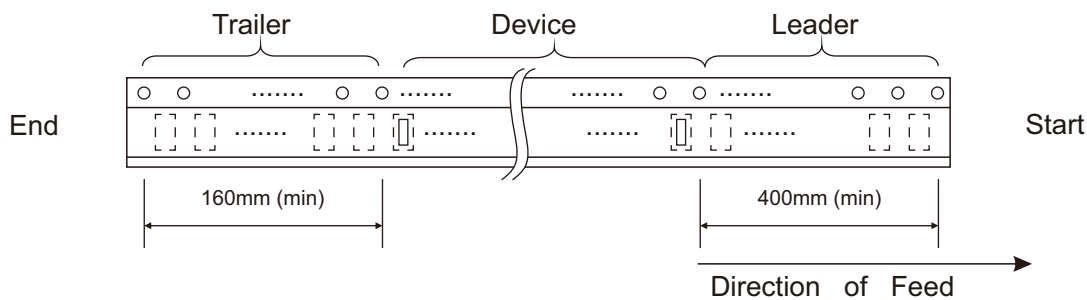
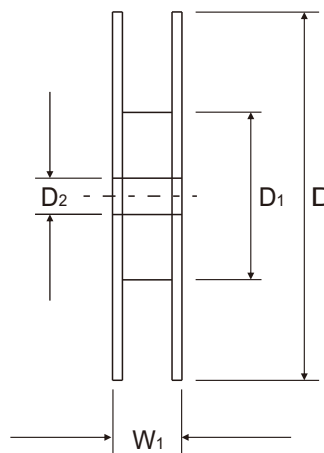
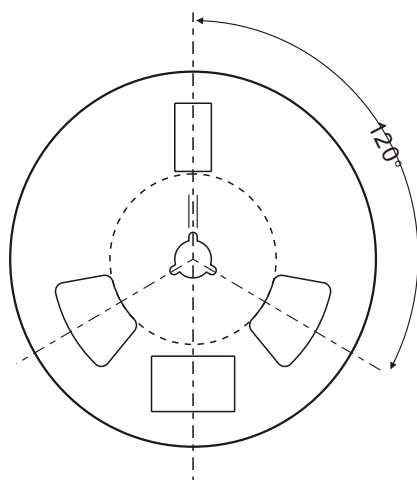
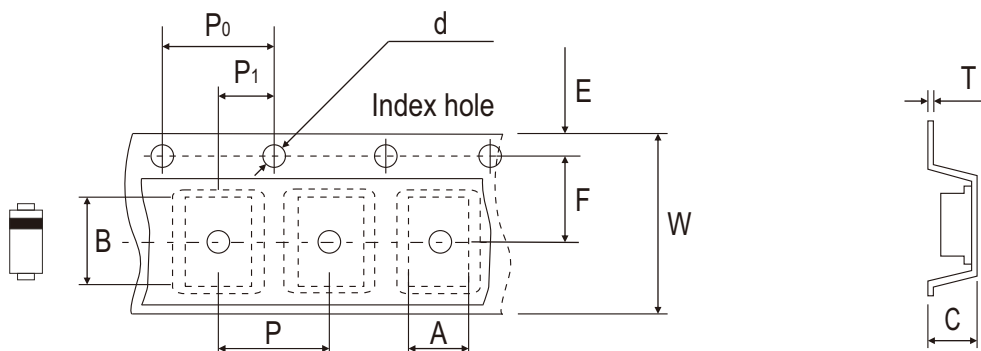


Fig.5 - Typical Junction Capacitance



Reel Taping Specification



DO-214AB (SMC)	SYMBOL	A	B	C	d	D	D1	D2
	(mm)	6.30 MAX.	8.60 MAX.	2.90 MAX.	1.50 ± 0.10	330 ± 2.00	50 MIN.	13.50 ± 1.00
	(inch)	0.248 MAX.	0.339 MAX.	0.114 MAX.	0.059 ± 0.004	12.992 ± 0.079	1.969 MIN.	0.531 ± 0.039

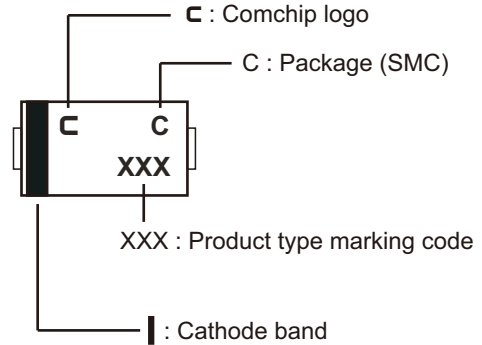
DO-214AB (SMC)	SYMBOL	E	F	P	P0	P1	T	W	W1
	(mm)	1.75 ± 0.10	7.50 ± 0.10	8.00 ± 0.10	4.00 ± 0.10	2.00 ± 0.10	0.6 MAX.	16.00 ± 0.30	22.40 MAX.
	(inch)	0.069 ± 0.004	0.295 ± 0.004	0.315 ± 0.004	0.157 ± 0.004	0.079 ± 0.004	0.024 MAX.	0.630 ± 0.012	0.882 MAX.

Company reserves the right to improve product design, functions and reliability without notice.

REV:A

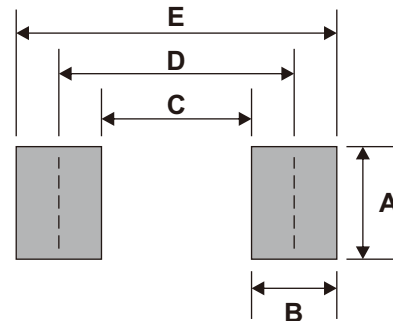
Marking Code

Part Number	Marking Code
ACGRC501-HF	501
ACGRC502-HF	502
ACGRC503-HF	503
ACGRC504-HF	504
ACGRC505-HF	505
ACGRC506-HF	506
ACGRC507-HF	507



Suggested PAD Layout

SIZE	DO-214AB (SMC)	
	(mm)	(inch)
A	3.30	0.130
B	2.50	0.098
C	4.40	0.173
D	6.80	0.268
E	9.40	0.370



Note: 1. The pad layout is for reference purposes only.

Standard Packaging

Case Type	REEL PACK	
	REEL (pcs)	Reel Size (inch)
DO-214AB (SMC)	3,000	13