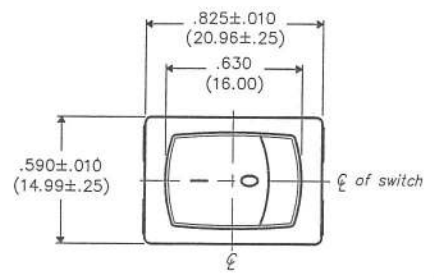


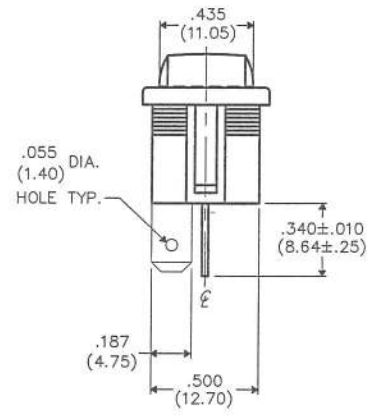
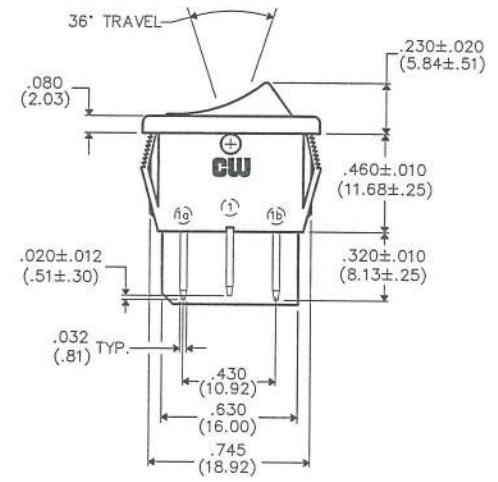
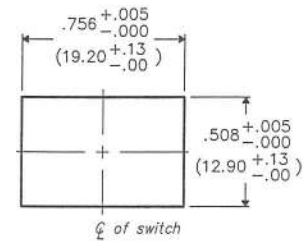
F
 D
 C
 B
 A

DIMENSIONS IN INCHES (MILLIMETERS)
 DO NOT SCALE DRAWING

Dwg. No.
GRS-4012-0066



PANEL PIERCING



BUTTON COLOR - Red
 HOUSING COLOR - Black
 LEGEND COLOR - White

SWITCH RATINGS:
 UL & CSA
 13A. 125VAC 10A. 250VAC
 1/2 H.P. 125-250 VAC 5A. 14V (T)

1 2 3 4 5 6 7 8 9 10

B-FORMAT 2002
REVISIONS
 RELEASED
 DCW 7-03-13
 JUL 19 2013

CW INDUSTRIES
 Southampton, Pa. 18966
TOLERANCES UNLESS OTHERWISE SPECIFIED
 2 Place Decimal ±.010 METRIC
 3 Place Decimal ±.005 1 Place Dec. ±.25mm
 Angles ±1' 2 Place Dec. ±.13mm

Made for: CW IND.
 Drawn by: DGW 7-03-13
 Checked by: *G. Gold 7-9-13*
 Approval: *G. Gold 7-9-13*

Title: **ROCKER SWIDGET ASSEMBLY (POP-IN) S.P.- D.T.**
 Division: **SWITCH**
 Dwg. No. **GRS-4012-0066**

MASTER