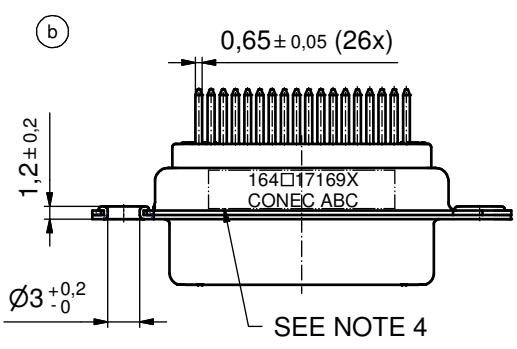
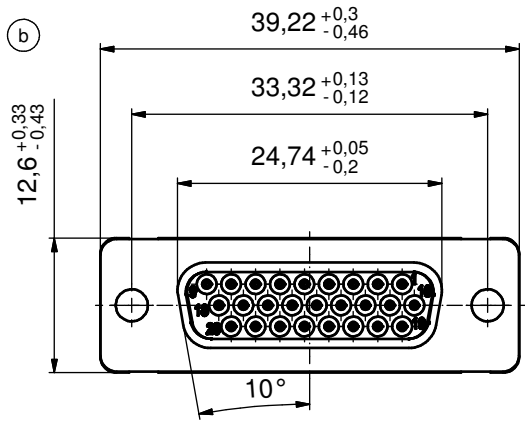
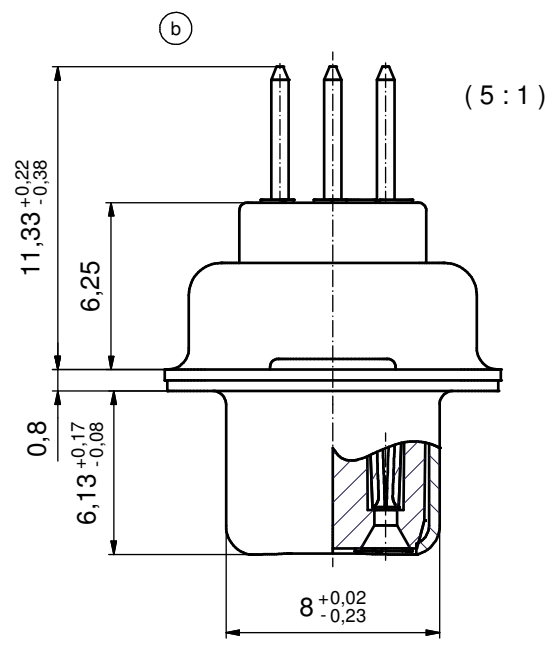
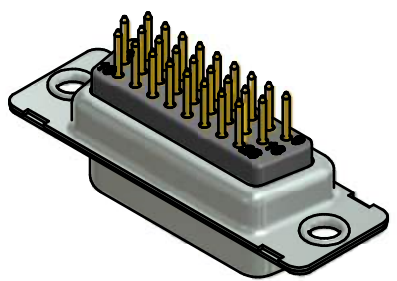
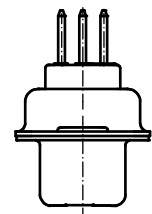


P.C.B. HOLE DRILLINGS
(P.C.B. TOP SIDE)



SEE NOTE 4



(b) NOTES:

1. METALSHELLS: STEEL; min. 315µm TIN over 40-80µm NICKEL
2. INSULATORS: PBT GF UL 94 V-0, BLACK
3. CONTACTS: COPPER ALLOY; PLATING (SEE PART NO.):
 - PLEASE ADD A for GOLD FLASH over NICKEL (PREFERRED TYPE)
 - PLEASE ADD B 20µm HARD GOLD over min. 50µm NICKEL
 - PLEASE ADD C 30µm HARD GOLD over min. 50µm NICKEL
4. CONNECTOR IS PART MARKED: 164□17169X CONEC ABC (see note 3)

Directive 2002/95/EC RoHS compliant

THIS DRAWING MAY NOT BE COPIED OR REPRODUCED IN ANY WAY, AND MAY NOT BE PASSED ON TO A THIRD PARTY WITHOUT WRITTEN PERMISSION. OWNERSHIP AND COPYRIGHT OF CONEC GmbH DO NOT ALTER CAD DRAWING BY HAND					tolerance	dim. in mm	scale: 2:1 (5:1)		
					date		name	material: SEE NOTES	
					drawn	21.07.14	Henneboel		
					appd.	21.07.14	Lehmenkühler		
					norm			title: D-SUB HD FEMALE 26pos. SOLDER PIN STRAIGHT	
					d-old	16K1A612/16K1A1942		dwg no:	
6 x b	A5160	21.07.14	K.H.					DIN-A3	
a	Original							16K1A3427	
rev.	description	date	name	part no: (b) 164 □ 17169X (see note 3)					