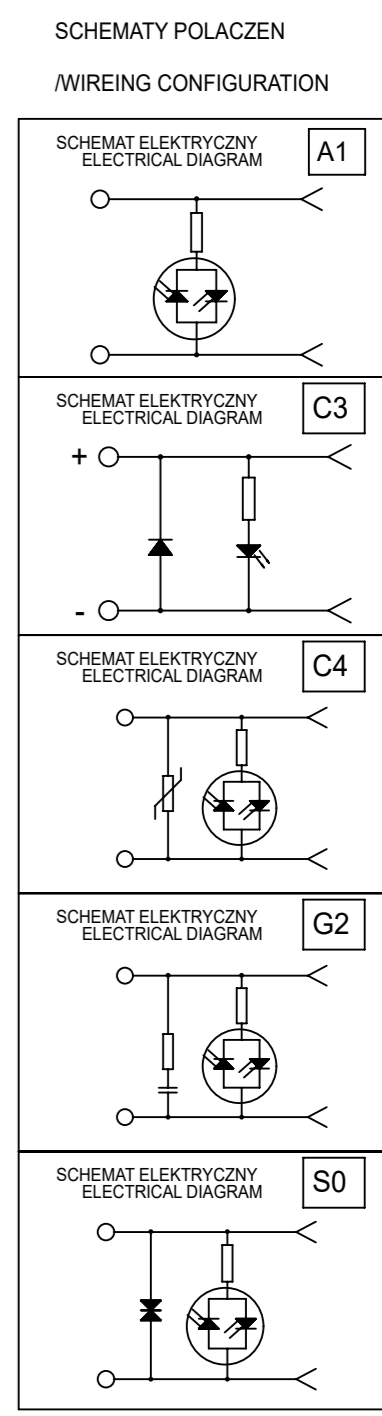
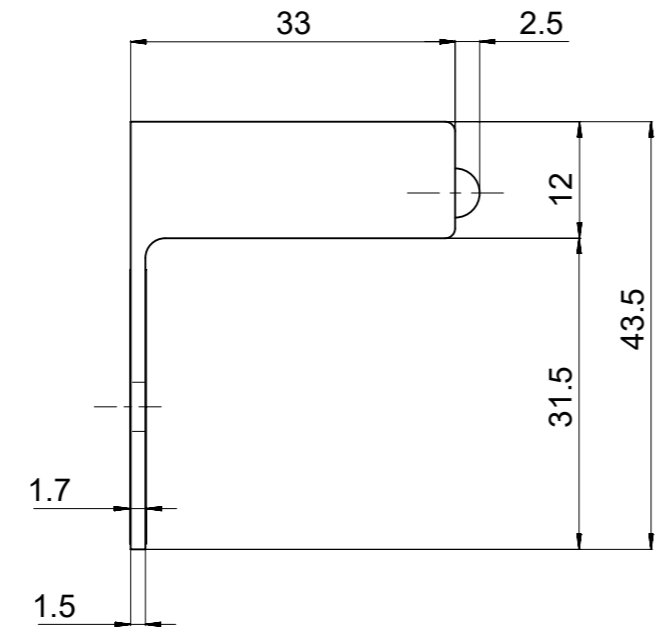
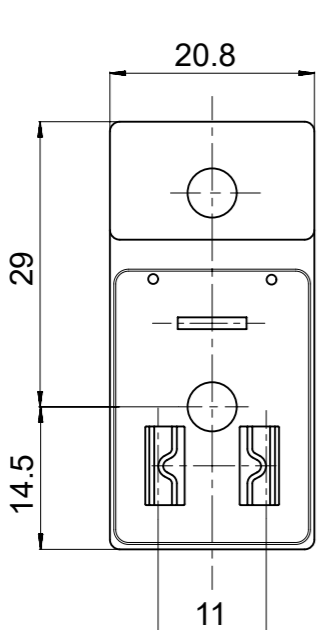
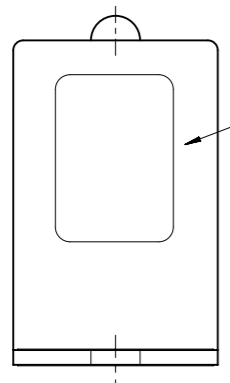


A 0 2 X X X

MOLEX PN	MPM PN
1210010036	A02A1B
1210010051	A02C45
1210010052	A02C4B
1210010056	A02C4H
1210010057	A02C4L
1210010067	A02G2H

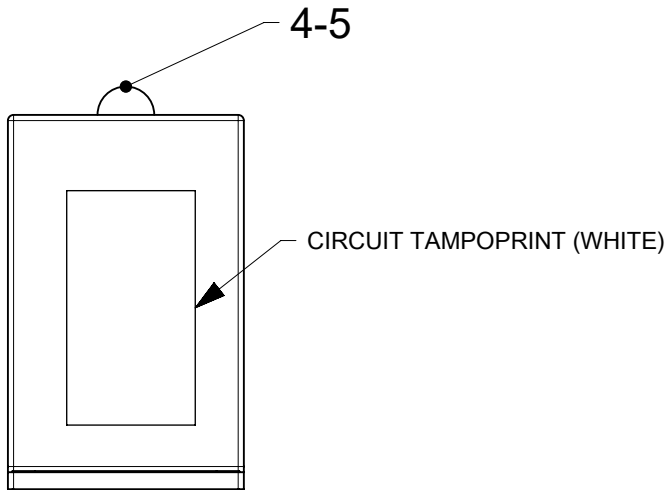
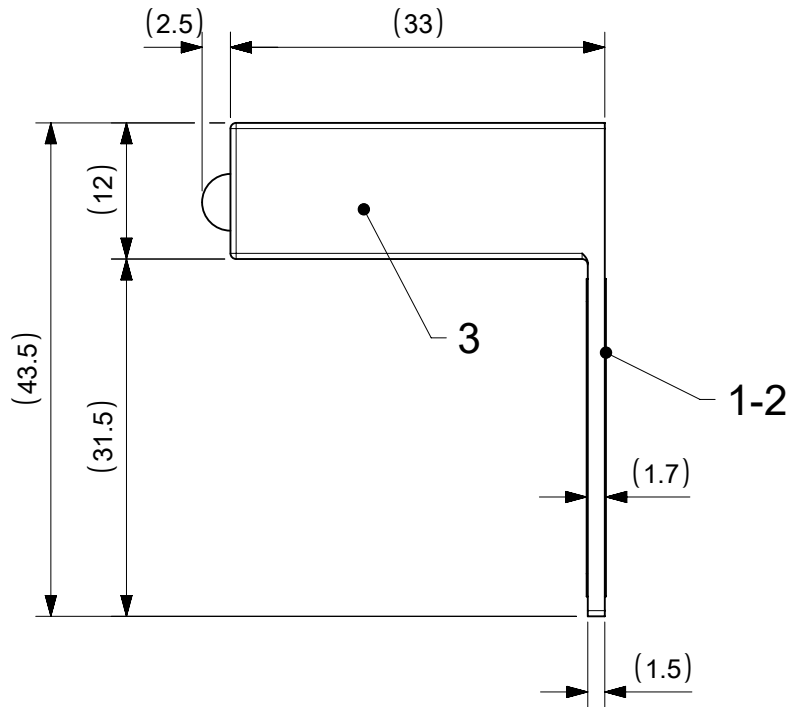
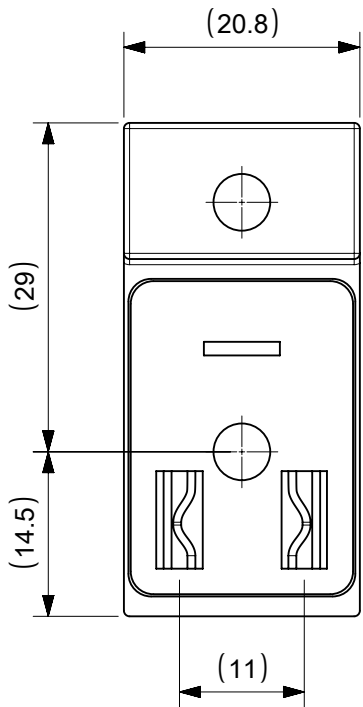
RODZAJ POLACZENIA/INTERNAL CIRCUIT
 PATRZ SCHEMATY POLACZEN/WIRING CONFIGURATION
 NAPIECIE ORAZ KOLOR DIODY/VOLTAGE AND LED COLOUR:

- | | | |
|---------|---------|---------|
| 1= 12V | A= 12V | G= 12V |
| 2= 24V | B= 24V | H= 24V |
| 3= 48V | C= 48V | K= 48V |
| 4= 115V | D= 115V | L= 115V |
| 5= 230V | E= 230V | M= 230V |
- [1-5] CZERWONA DIODA / RED LED
 [A-E] ZIELONA DIODA / GREEN LED
 [G-M] ZOLTA DIODA / YELLOW LED

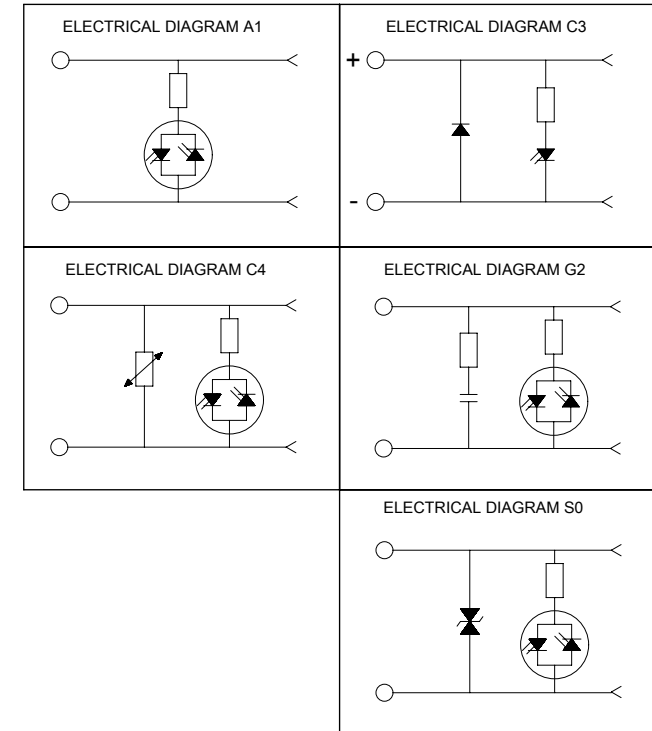


THIS DRAWING CONTAINS INFORMATION THAT IS PROPRIETARY TO MOLEX ELECTRONIC TECHNOLOGIES, LLC AND SHOULD NOT BE USED WITHOUT WRITTEN PERMISSION

DIMENSION UNITS	SCALE	CURRENT REV DESC: REMOVED OBSOLETE PART NUMBERS AS PER PCN#511691.		molex	
MM	NTS				
GENERAL TOLERANCES (UNLESS SPECIFIED)				MPM A02 ADAPTORS	
	MM	INCH			PRODUCT CUSTOMER DRAWING
4 PLACES	±	±	EC NO: 737858		
3 PLACES	±	±	DRWN: SANTHN	2023/02/08	
2 PLACES	±	±	CHK'D: GGA	2023/02/24	
1 PLACE	±	±	APPR: GGA	2023/02/24	
0 PLACES	±	±	INITIAL REVISION:		
ANGULAR TOL	±	°	DRWN: MLEVYTSKY	2009/05/05	DOCUMENT NUMBER
DRAFT WHERE APPLICABLE MUST REMAIN WITHIN DIMENSIONS		THIRD ANGLE PROJECTION	DRAWING	SERIES	MATERIAL NUMBER
			A3-SIZE	121001	SEE TABLE
					CUSTOMER
					GENERAL MARKET
					SHEET NUMBER
					1 OF 1



WIRING CONFIGURATION



THIS DRAWING CONTAINS INFORMATION THAT IS PROPRIETARY TO MOLEX ELECTRONIC TECHNOLOGIES, LLC AND SHOULD NOT BE USED WITHOUT WRITTEN PERMISSION									
DIMENSION UNITS		SCALE		CURRENT REV DESC: REMOVED OBSOLETE PART NUMBER AS PER PCN#511691.					
mm		3:2		<p>molex</p> <p>LIGHT ADAPTORS SERIES A02XXX FOR DIN INDUSTRIAL</p> <p>PRODUCT CUSTOMER DRAWING</p>					
GENERAL TOLERANCES (UNLESS SPECIFIED)									
ANGULAR TOL ± °									
4 PLACES		±							
3 PLACES		±							
2 PLACES		±		EC NO: 737858		2023/02/10			
1 PLACE		±		DRWN: JMARSALEK		2023/02/24			
0 PLACES		±		APPR: GGA		2023/02/24			
DRAFT WHERE APPLICABLE MUST REMAIN WITHIN DIMENSIONS				THIRD ANGLE PROJECTION		DRAWING		SERIES	
						A4-SIZE		121001	
DOCUMENT STATUS				DOCUMENT NUMBER		DOC TYPE		REVISION	
P1				SD-121001-002		PSD		001	
RELEASE DATE				CUSTOMER		GENERAL MARKET		SHEET NUMBER	
2023/02/24 09:13:38				SEE PART LIST		GENERAL MARKET		1 OF 2	

DOCUMENT STATUS	P1	RELEASE DATE	2023/02/24	09:13:38
-----------------	----	--------------	------------	----------

PART No MATRIX



INTERNAL CIRCUIT

VOLTAGE AND LED COLOR

1= 12V	A= 12V	G= 12V
2= 24V	B= 24V	H= 24V
3= 48V	C= 48V	K= 48V
4= 115V	D= 115V	L= 115V
5= 230V	E= 230V	M= 230V

RED LED GREEN LED YELLOW LED

PART LIST

MOLEX PN	ENG. NO	CIRCUIT TYPE	LED COLOR
1210010036	A02A1B	A1 24V	GREEN
1210010050	A02C44	C4 115V	RED
1210010051	A02C45	C4 230V	RED
1210010052	A02C4B	C4 24V	GREEN
1210010056	A02C4H	C4 24V	YELLOW
1210010057	A02C4L	C4 115V	YELLOW
1210010067	A02G2H	G2 24V	YELLOW

ITEM	QTY	DESCRIPTION	MATERIAL	FINISH/COLOR
5	1	DISTANZIALE LED	-	-
4	1	PCB WITH COMPONENT	-	SEE PART LIST
3	1	CORPO STAMPATO	-	BLACK
2	-	EPOXY ER2188K5K	-	BLACK
1	-	EPOXY ER2188B	-	BLACK

DOCUMENT STATUS	P1	RELEASE DATE	2023/02/24	09:13:38
-----------------	----	--------------	------------	----------

THIS DRAWING CONTAINS INFORMATION THAT IS PROPRIETARY TO MOLEX ELECTRONIC TECHNOLOGIES, LLC AND SHOULD NOT BE USED WITHOUT WRITTEN PERMISSION

DIMENSION UNITS mm	SCALE 1:1	CURRENT REV DESC: REMOVED OBSOLETE PART NUMBER AS PER PCN#511691.				
GENERAL TOLERANCES (UNLESS SPECIFIED)		EC NO: 737858				
ANGULAR TOL ± °		DRWN: SANTHN 2023/02/10		PRODUCT CUSTOMER DRAWING		
4 PLACES ±		CHK'D: GGA 2023/02/24		DOCUMENT NUMBER		
3 PLACES ±		APPR: GGA 2023/02/24		SD-121001-002		DOC PART
2 PLACES ±		INITIAL REVISION:		PSD	001	REVISION
1 PLACE ±		DRWN: JMARSZALEK 2013/02/08		A2		
0 PLACES ±		APPR: MIWASIECZKO 2013/02/12		SHEET NUMBER		
DRAFT WHERE APPLICABLE MUST REMAIN WITHIN DIMENSIONS	THIRD ANGLE PROJECTION 	DRAWING A4-SIZE	SERIES 121001	MATERIAL NUMBER SEE PART LIST	CUSTOMER GENERAL MARKET	2 OF 2