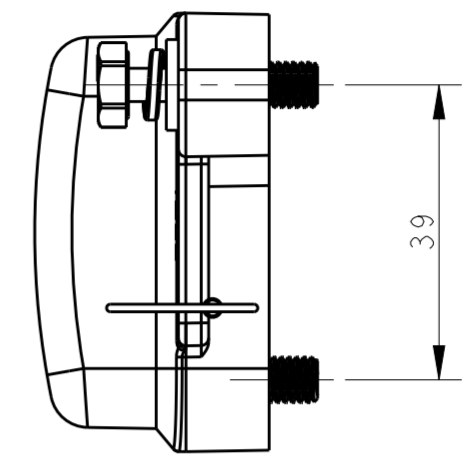
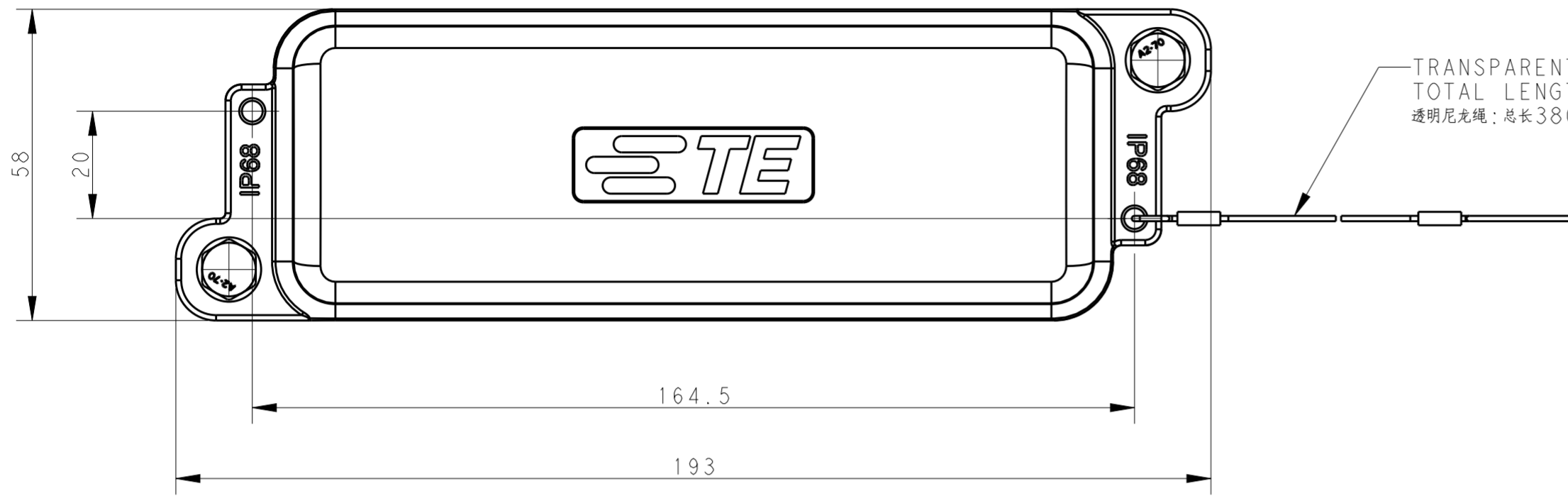
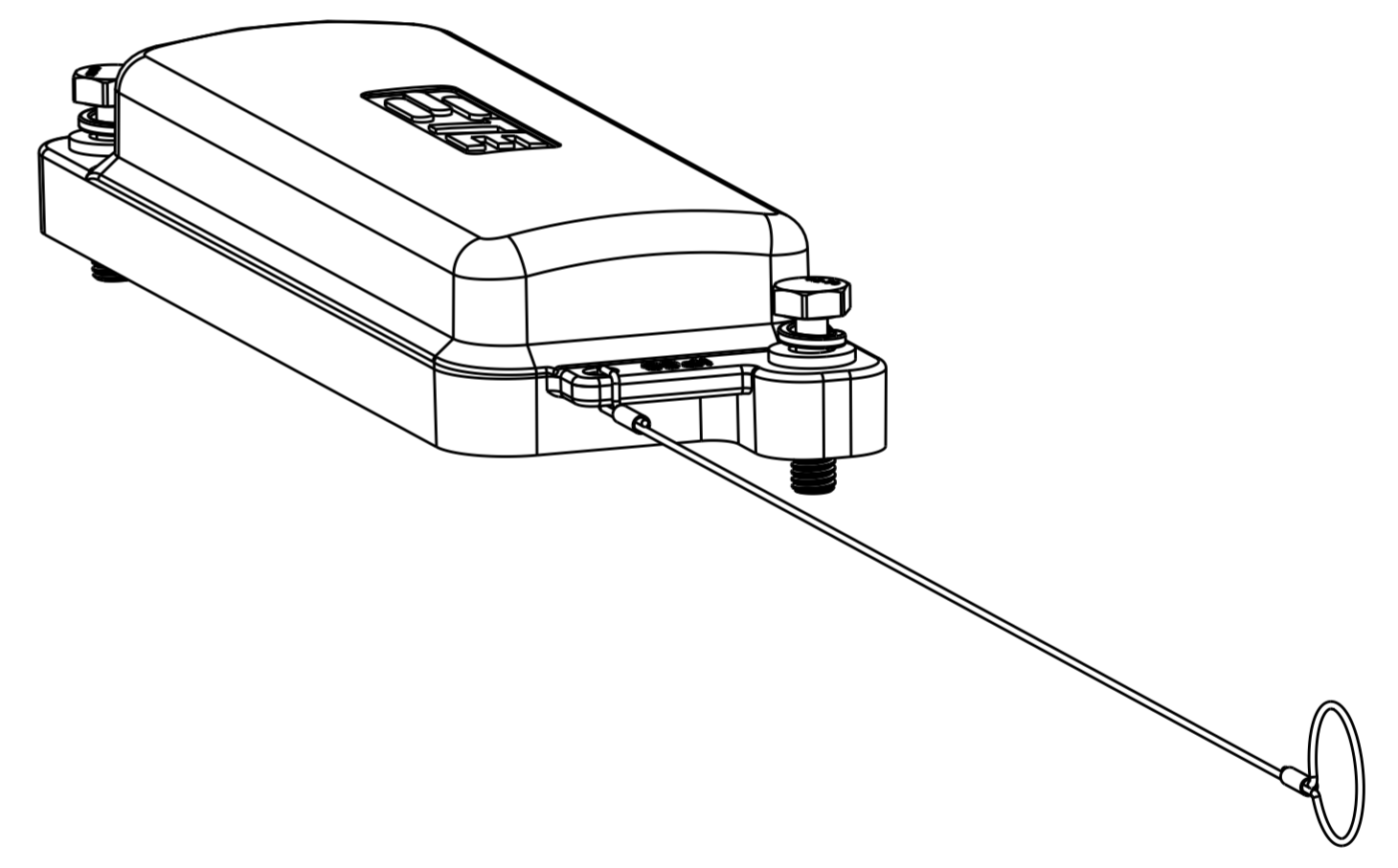
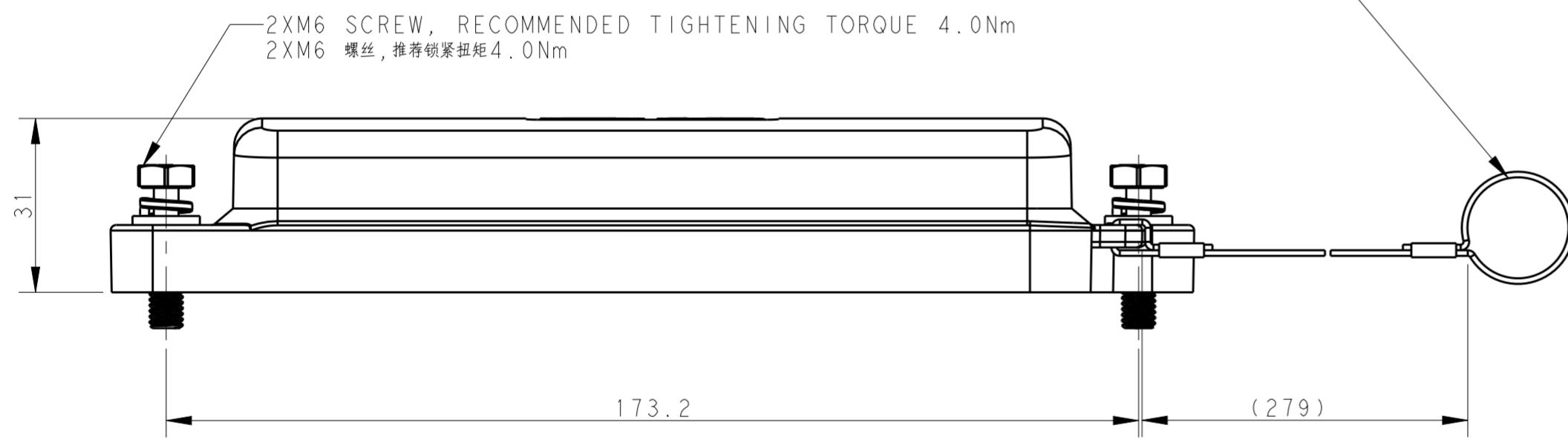


THIS DRAWING IS UNPUBLISHED. RELEASED FOR PUBLICATION 20
 © COPYRIGHT 20 BY - ALL RIGHTS RESERVED.

REVISIONS				
P	LTR	DESCRIPTION	DATE	APVD
A		INITIAL RELEASE	22OCT2016	DW CW
A1		ECR-17-008404	10JUN2017	CH CW



LOOP SIZE DEFAULT VALUE DIA. \varnothing 18,
 UNLESS HAVE SPECIAL REQUIREMENT.
 套圈大小默认值直径是 \varnothing 18, 除非有特别要求.



NOTES:
 1. TECHNICAL CHARACTERISTICS:
 COVER MATERIAL: DIE CAST ALUMINIUM ALLOY
 SURFACE TREATMENT: SEE TABLE

注释
 1. 技术参数:
 壳体材料: 铝合金
 表面处理: 见表格

T1990240000-009	H24BPR-KDBM-EMC-C	H24BPR HOUSING METAL PROTECTION COVER, DIAGONAL LOCKING, NYLON ROPE, PASSIVATION+POWDER COATED, BLACK / H24BPR对角锁定金属保护盖, 尼龙绳, 钝化+黑色粉末喷涂
PART NUMBER 料号	PART DESCRIPTION 描述	

THIS DRAWING IS A CONTROLLED DOCUMENT.		DWN DAVID.WANG 22OCT2016	TE Connectivity	
		CHK CHRIS.WANG 22OCT2016		
		APVD XIANG.XU 22OCT2016	NAME H24BPR-KDBM-EMC-C	
DIMENSIONS: mm		TOLERANCES UNLESS OTHERWISE SPECIFIED:	PRODUCT SPEC	
		0 PLC \pm	APPLICATION SPEC	
		1 PLC \pm	WEIGHT	
		2 PLC \pm	SIZE A2	
		3 PLC \pm	CAGE CODE	
		4 PLC \pm	DRAWING NO	
		ANGLES \pm	RESTRICTED TO	
		FINISH	SCALE 1:1	
MATERIAL			SHEET 1 OF 1	
			REV A1	
			Customer Drawing	