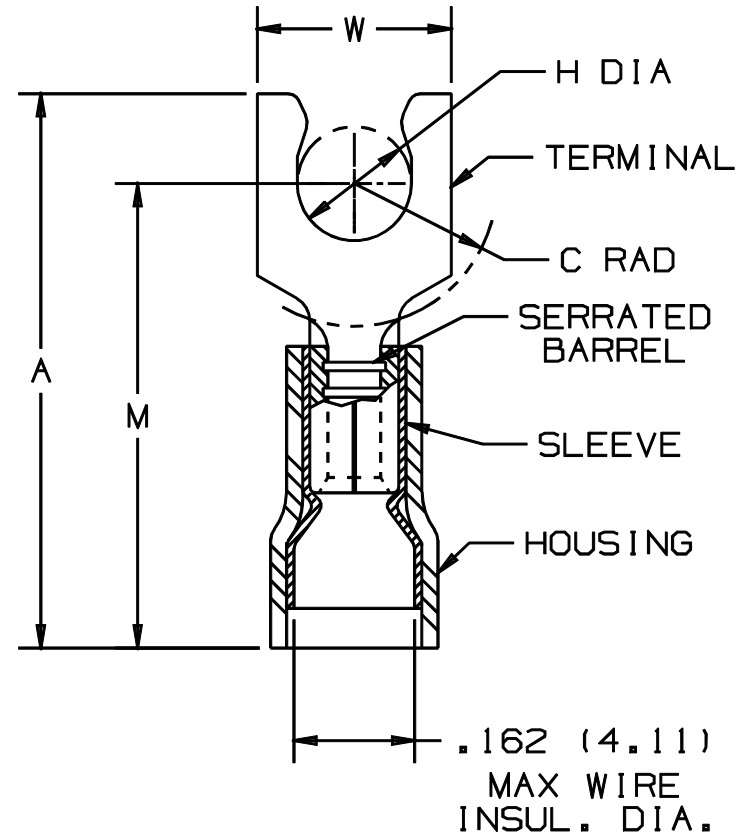


THIS COPY IS PROVIDED ON A RESTRICTED BASIS AND IS NOT TO BE USED IN ANY WAY DETRIMENTAL TO THE INTERESTS OF PANDUIT CORP.

PANDUIT PART NUMBER	STUD SIZE	DIMENSIONS in.				
		A $\pm .03$	W $\pm .01$	C $\pm .02$	M $\pm .03$	H $\pm .01$
PNF14-5SLF	#5	.75 (19.05)	.25 (6.35)	.19 (4.83)	.64 (16.26)	.12 (3.05)
PNF14-6SLF	#6	.75 (19.05)	.25 (6.35)	.19 (4.83)	.64 (16.26)	.14 (3.56)
PNF14-8SLF	#8	.82 (20.83)	.29 (7.37)	.23 (5.84)	.68 (17.27)	.16 (4.06)
PNF14-10SLF	#10	.81 (20.57)	.33 (8.38)	.23 (5.84)	.68 (17.27)	.19 (4.83)
PNF14-14SLF	1/4"	.91 (23.11)	.44 (11.18)	.28 (7.11)	.74 (18.80)	.25 (6.35)

NOTES:

- UL LISTED AND CSA CERTIFIED FOR:
  - 600V. MAX. VOLTAGE RATING
  - #16-14AWG STRANDED COPPER WIRE ONLY
  - 221° F (105° C) MAX. TEMP. RATING
- MATERIAL:
  - STAMPING - .03" (.8) THK COPPER, TIN PLATED
  - HOUSING - NYLON, BLUE
  - SLEEVE - BRASS, TIN PLATED
- PACKAGE QTY: STD. PKG. -C = 100  
BULK PKG. -M = 1000
- DIMENSIONS IN BRACKETS ARE IN MILLIMETERS
- INSTALLATION TOOLS:
  - UL LISTED AND CSA CERTIFIED: CT-510
  - PANDUIT APPROVED: CT-400, CT-460, CT-500, CT-550, CT-1550, CT-1551
- WIRE STRIP LENGTH: 7/32 +1/32 -0



LISTED  
587H  
E52164



CERTIFIED  
LR31212

A41252\_03

				<b>PANDUIT</b> CORP. TINLEY PARK, ILLINOIS							
03	2/98	TM		UPDATED DIMENSIONS			#16-14 BARREL FUNNELED ENTRY NYLON INSULATED SHORT LOCKING FORK, .162 (4.11) MAX WIRE INSUL. DIA.				
02	11/96	BK	RLS	REDRAWN WITH REVISIONS							
REV	DATE	BY	CHK	DESCRIPTION	ECN #	CUST	PM	DRAWN BY DAW	CHK'D	SCALE NONE	DRAWING NO. A41252