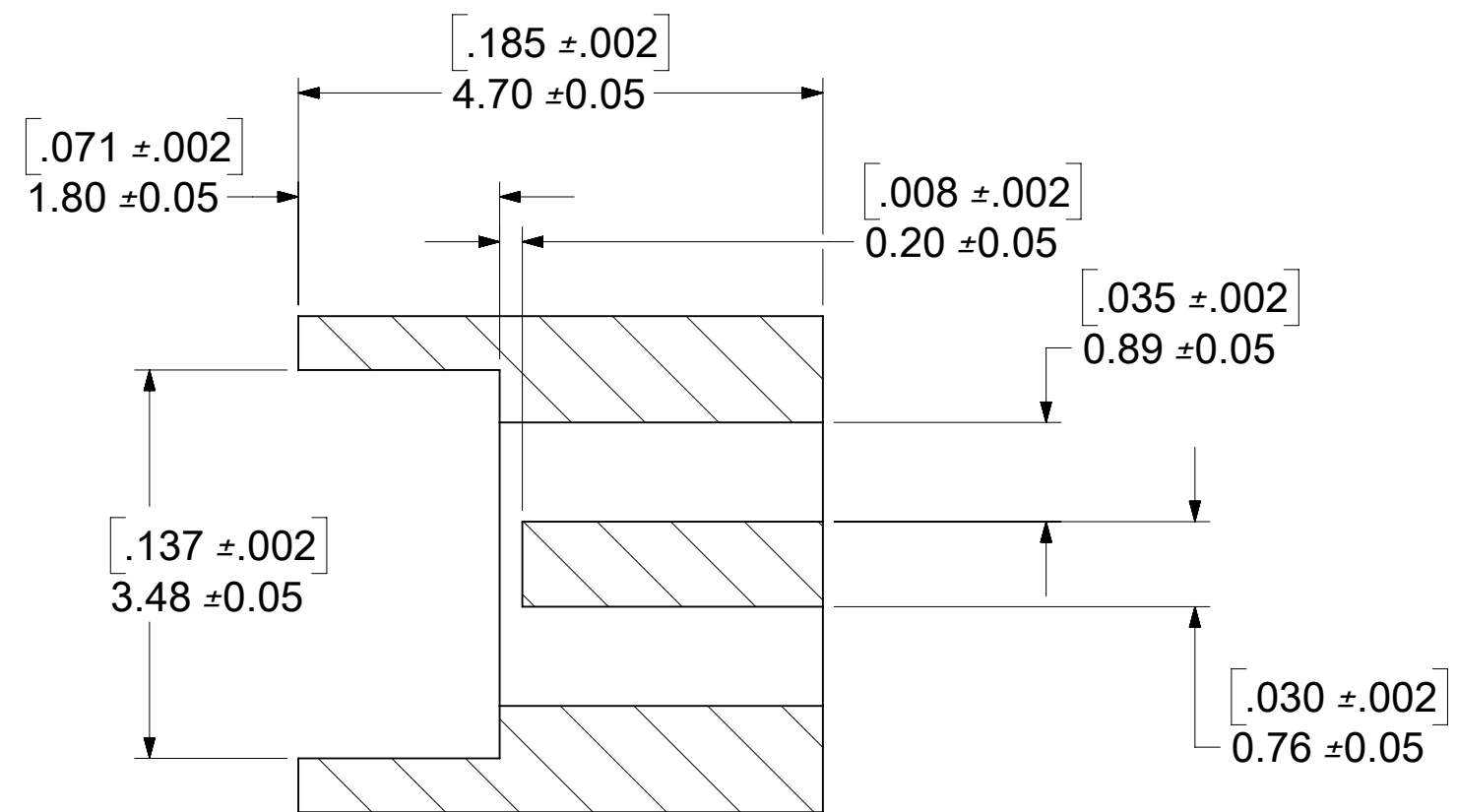
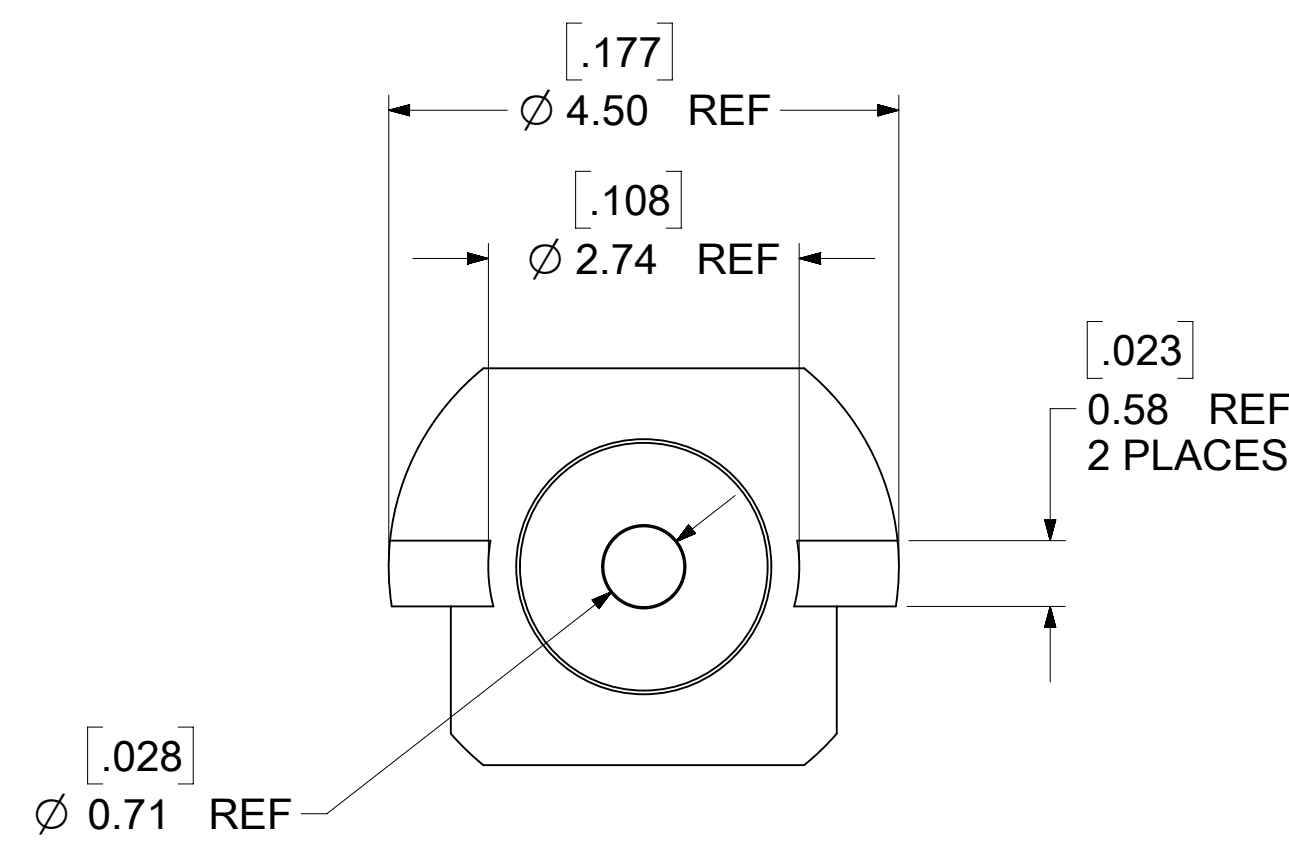
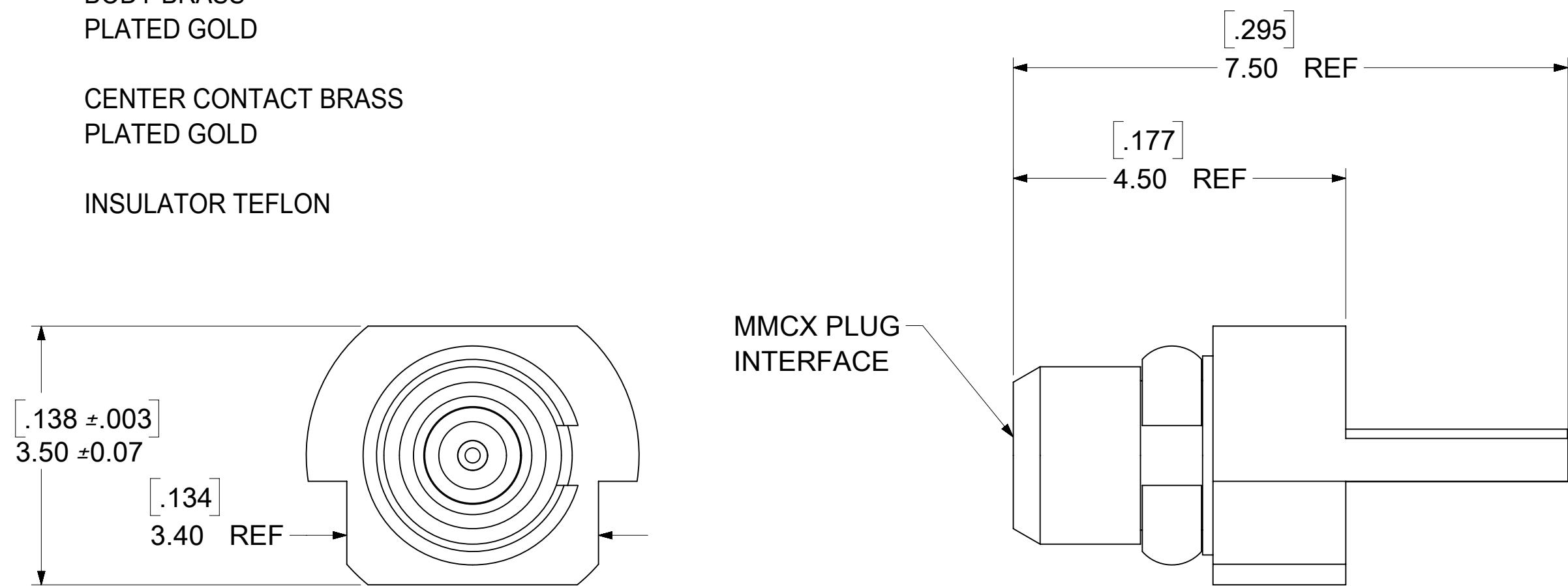
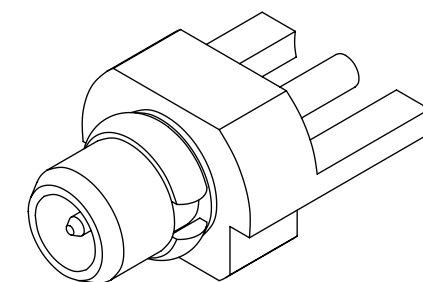


MATERIALS AND FINISHES

BODY BRASS  
PLATED GOLD

CENTER CONTACT BRASS  
PLATED GOLD

INSULATOR TEFLON



BOARD MATERIAL: FR4, 1.4mm(.055) THICK  
PCB LAYOUT WITH GROUND PLANE

CECC 22 340	INTERFACE
PS-89675-1920	ELECTRO/MECH PERFORM.
SPECIFICATION	DESCRIPTION

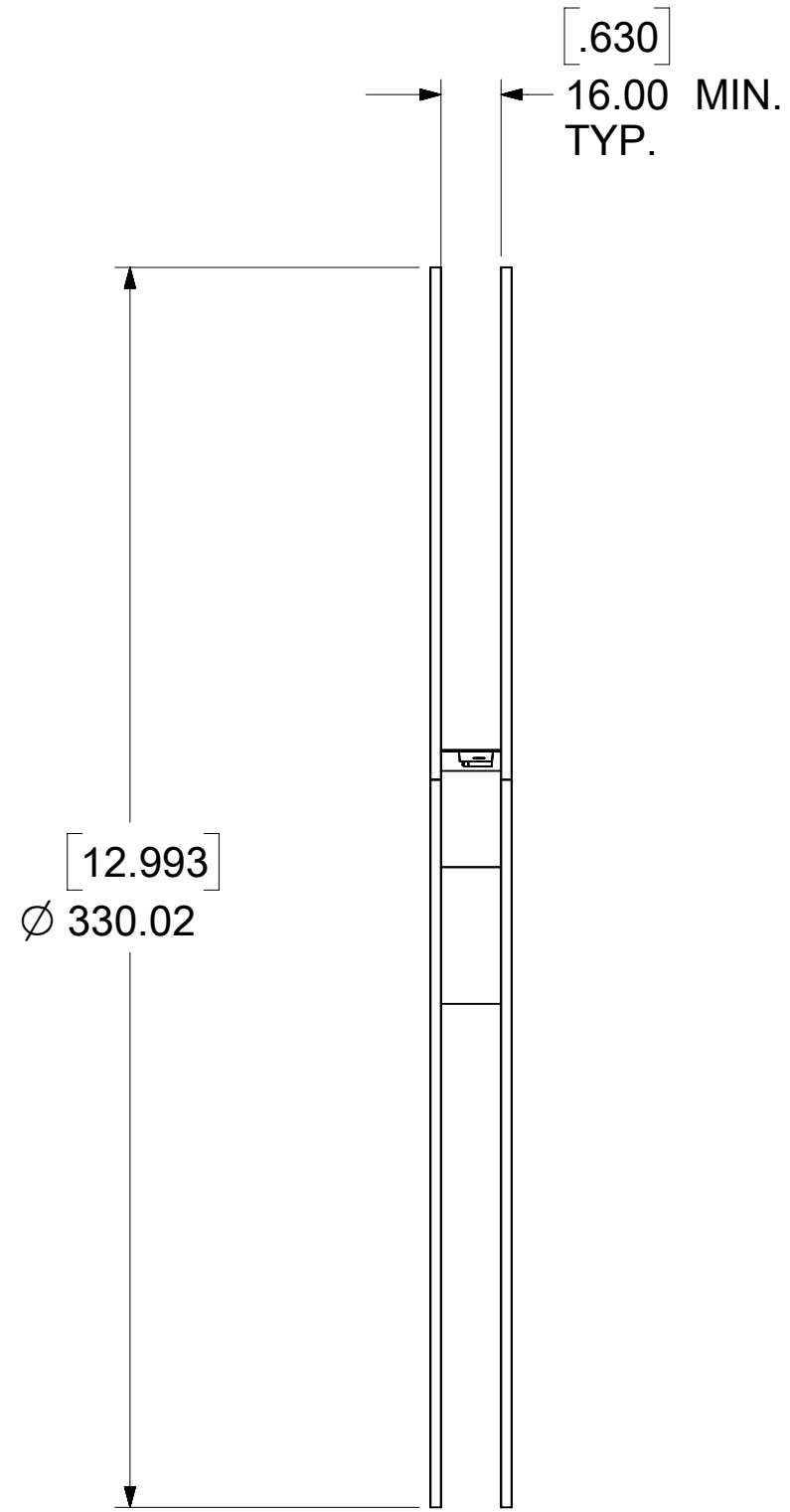
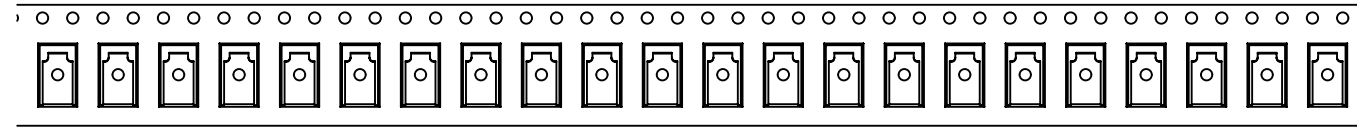
73415-0993	P/N 73415-0991, ONE PER BAG
73415-0992	PER COMMERCIAL REQUIREMENTS, TAPE AND REEL
73415-0991	PER COMMERCIAL REQUIREMENTS, BAG-500 PCS
73415-0990	PER MILITARY REQUIREMENTS, BAG-500 PCS
PART NO.	PLATING AND PACKAGING

E6	2018/10/25	CHG DIM TOL FROM 3.50 REF TO 3.50±0.07
E5	2017/08/02	CHANGE WORD FROM "COMMERICAL" TO "COMMERCIAL"
REV	DATE	DESCRIPTION

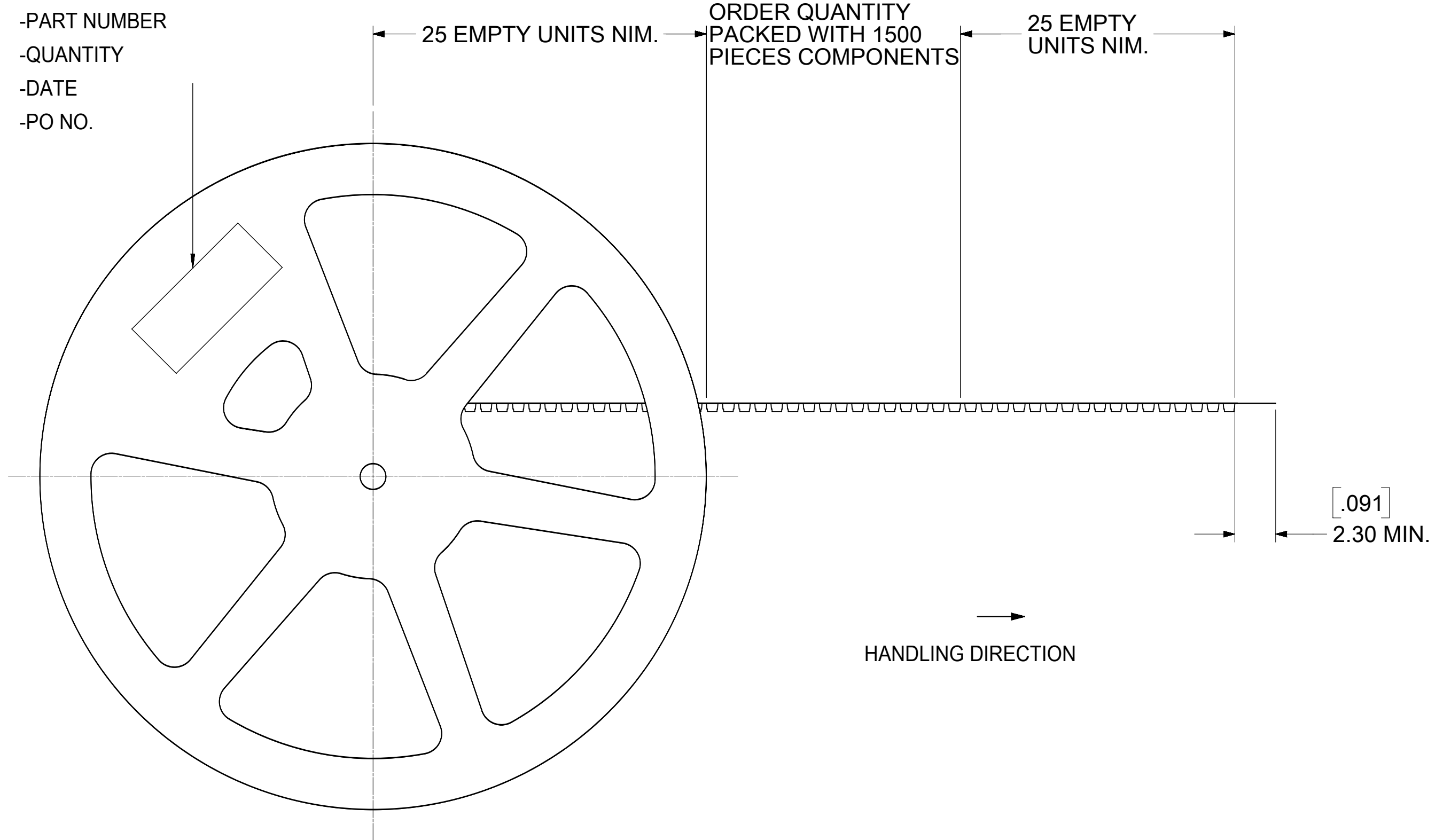
SYMBOLS	THIS DRAWING CONTAINS INFORMATION THAT IS PROPRIETARY TO MOLEX ELECTRONIC TECHNOLOGIES, LLC AND SHOULD NOT BE USED WITHOUT WRITTEN PERMISSION		
	DIMENSION UNITS	SCALE	CURRENT REV DESC:
▽ = 0	HYBRID	1:1	EC NO: 606630 DRWN: JSU18 2018/10/25 CHK'D: YCHENG 2019/08/07 APPR: YCHENG 2019/08/07
▽ = 0	GENERAL TOLERANCES (UNLESS SPECIFIED)		
▽ = 0	ANGULAR TOL ± 2.0°		INITIAL REVISION: DRWN: JTSAO 2004/10/04 APPR: MHUANG 2004/10/06
▽ = 0	4 PLACES ±		
▽ = 0	3 PLACES ±		DOCUMENT NUMBER <b>SD-73415-099</b> MATERIAL NUMBER CUSTOMER MOLEX
▽ = 0	2 PLACES ±		
▽ = 0	1 PLACE ±		DOC TYPE PSD DOC PART 001 REVISION <b>E6</b>
▽ = 0	0 PLACES ±		
▽ = 0	DRAFT WHERE APPLICABLE MUST REMAIN WITHIN DIMENSIONS	THIRD ANGLE PROJECTION	DRAWING C-SIZE
▽ = 0		SERIES 73415	SHEET NUMBER 1 OF 4



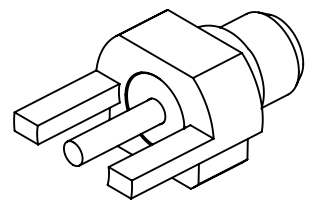
NOTE:  
13" REEL SIZE FOR 1500 PIECES



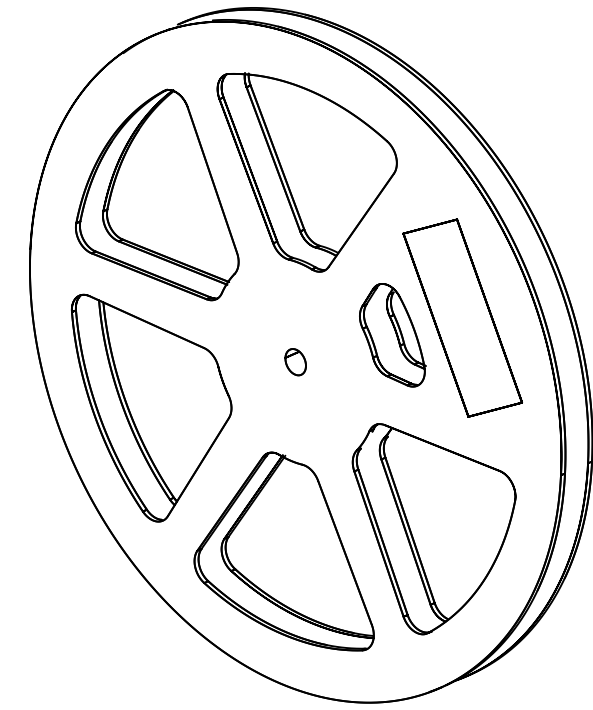
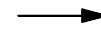
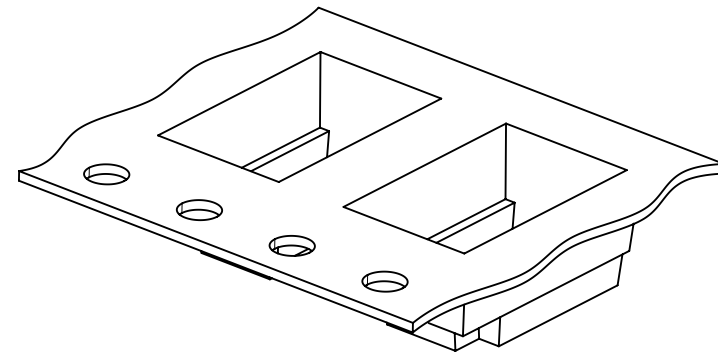
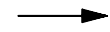
LABEL  
-PART NUMBER  
-QUANTITY  
-DATE  
-PO NO.



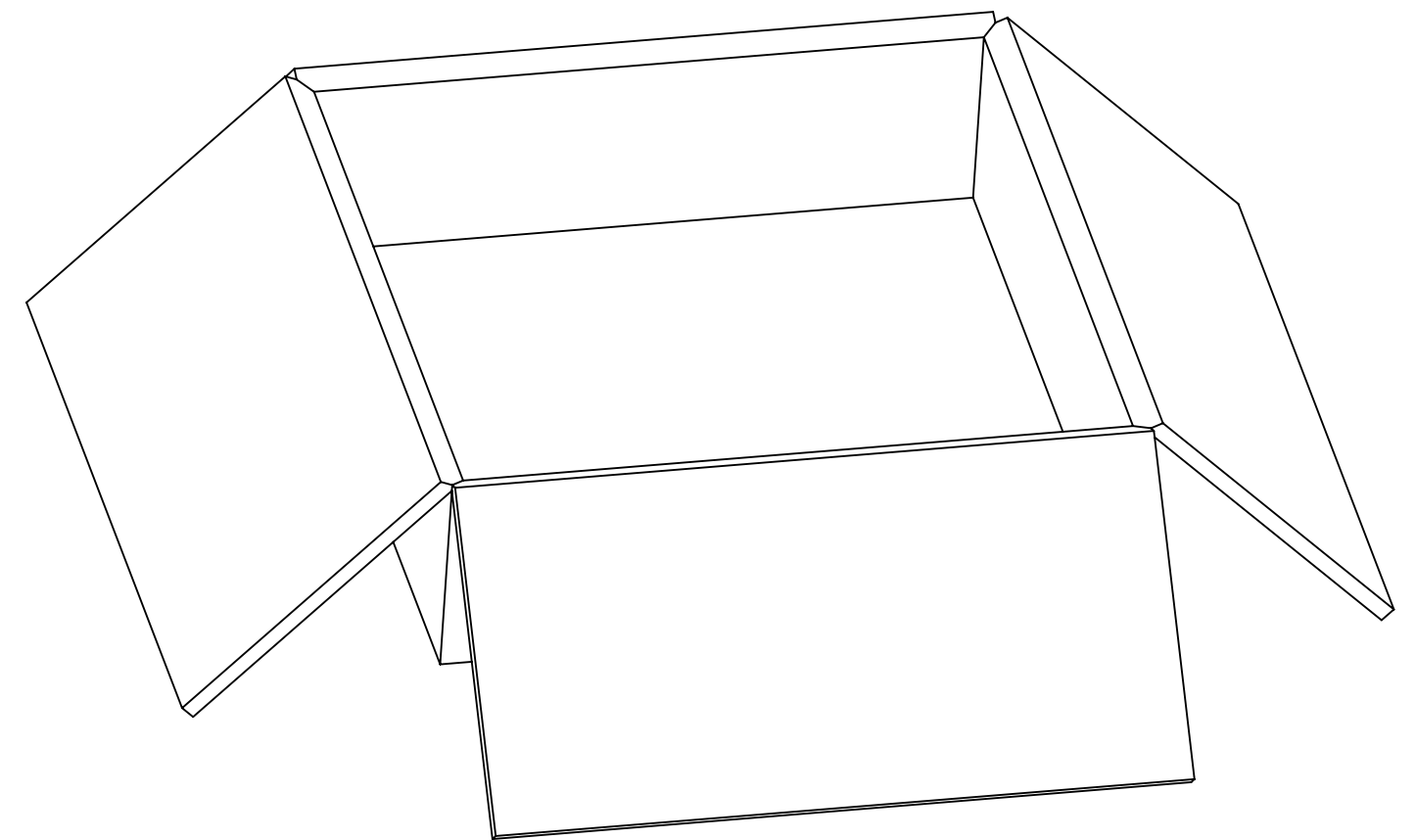
SYMBOLS		THIS DRAWING CONTAINS INFORMATION THAT IS PROPRIETARY TO MOLEX ELECTRONIC TECHNOLOGIES, LLC AND SHOULD NOT BE USED WITHOUT WRITTEN PERMISSION			
DIMENSION UNITS	SCALE	CURRENT REV DESC:			
▽ = 0	HYBRID	1:1			<b>molex</b>
▽ = 0	GENERAL TOLERANCES (UNLESS SPECIFIED)				
▽ = 0	ANGULAR TOL ± 2.0°				MMCX PLUG, EDGE MOUNT LAUNCHER, 50 OHMS MMCX-P/PCB
▽ = 0	4 PLACES ±	EC NO: 606630			
▽ = 0	3 PLACES ±	DRWN: JSU18 2018/10/25			
▽ = 0	2 PLACES ±	CHK'D: YCHENG 2019/08/07			
▽ = 0	1 PLACE ±	APPR: YCHENG 2019/08/07			
⊠ = 0	DRAFT WHERE APPLICABLE MUST REMAIN WITHIN DIMENSIONS		INITIAL REVISION:		PRODUCT CUSTOMER DRAWING
⊠ = 0			DRWN: JTSAO 2004/10/04		
■ = 0			APPR: MHUANG 2004/10/06		DOCUMENT NUMBER
▽ = 0			THIRD ANGLE PROJECTION		SD-73415-099
		DRAWING		SERIES	DOC TYPE
		C-SIZE		73415	PSD
		MATERIAL NUMBER		CUSTOMER	DOC PART
				MOLEX	001
					REVISION
					E6
					SHEET NUMBER
					3 OF 4



PART NO.  
73415-0992



1500 SET PER 13" REEL



6000 SET PER OUTER  
CARTON BOX  
339 X 339 X 100 REF.

SYMBOLS		THIS DRAWING CONTAINS INFORMATION THAT IS PROPRIETARY TO MOLEX ELECTRONIC TECHNOLOGIES, LLC AND SHOULD NOT BE USED WITHOUT WRITTEN PERMISSION																	
		DIMENSION UNITS	SCALE	CURRENT REV DESC:						DOCUMENT NUMBER		DOC TYPE	DOC PART	REVISION					
▽ = 0	HYBRID	1:10	EC NO: 606630 DRWN: JSU18 2018/10/25 CHK'D: YCHENG 2019/08/07 APPR: YCHENG 2019/08/07						SD-73415-099		PSD	001	E6						
▽ = 0	GENERAL TOLERANCES (UNLESS SPECIFIED)								INITIAL REVISION: DRWN: JTSAO 2004/10/04 APPR: MHUANG 2004/10/06						MATERIAL NUMBER		CUSTOMER		SHEET NUMBER
▽ = 0	ANGULAR TOL ± 2.0°														C-SIZE		73415		MOLEX
▽ = 0	4 PLACES ±		DRAFT WHERE APPLICABLE MUST REMAIN WITHIN DIMENSIONS		THIRD ANGLE PROJECTION		DRAWING		SERIES		MATERIAL NUMBER		CUSTOMER		SHEET NUMBER				
▽ = 0	3 PLACES ±																		
▽ = 0	2 PLACES ±																		
▽ = 0	1 PLACE ±																		
▽ = 0	0 PLACES ±																		
▽ = 0																			
▽ = 0																			

**molex**

MMCX PLUG, EDGE MOUNT  
LAUNCHER, 50 OHMS MMCX-P/PCB

PRODUCT CUSTOMER DRAWING

SD-73415-099

PSD 001 E6

MOLEX

4 OF 4

DOCUMENT STATUS P1 RELEASE DATE 2019/08/07 07:10:52