

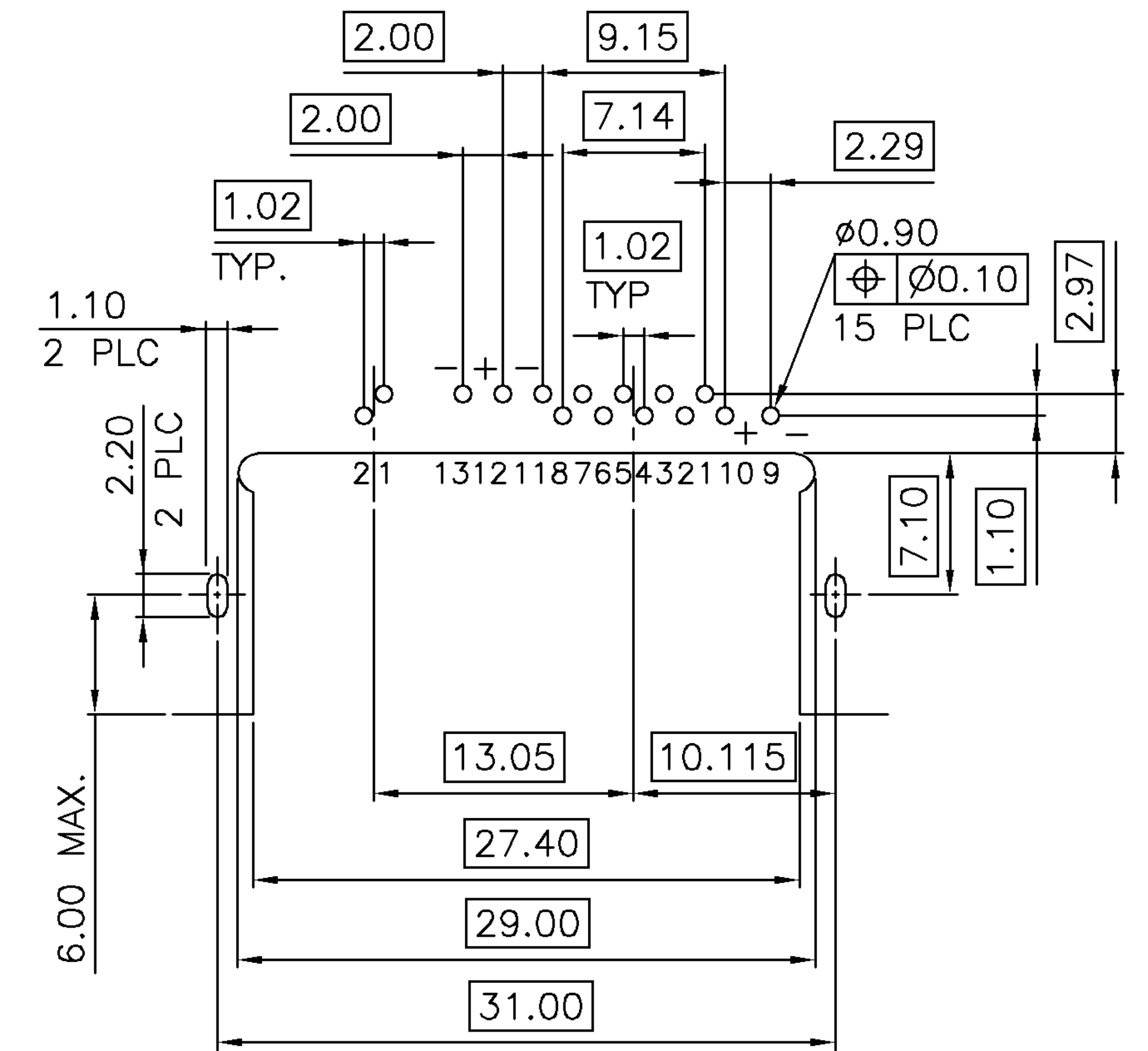
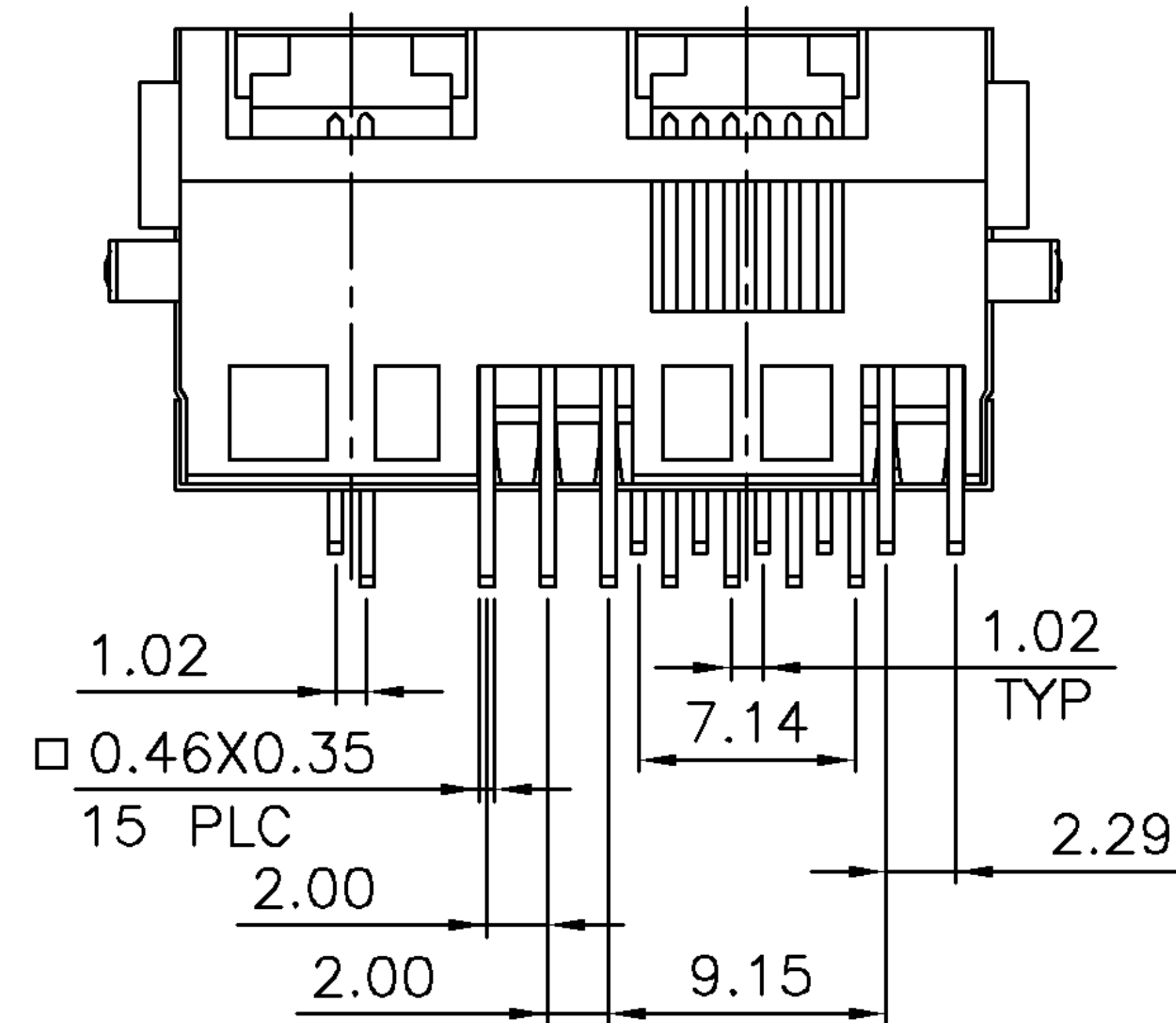
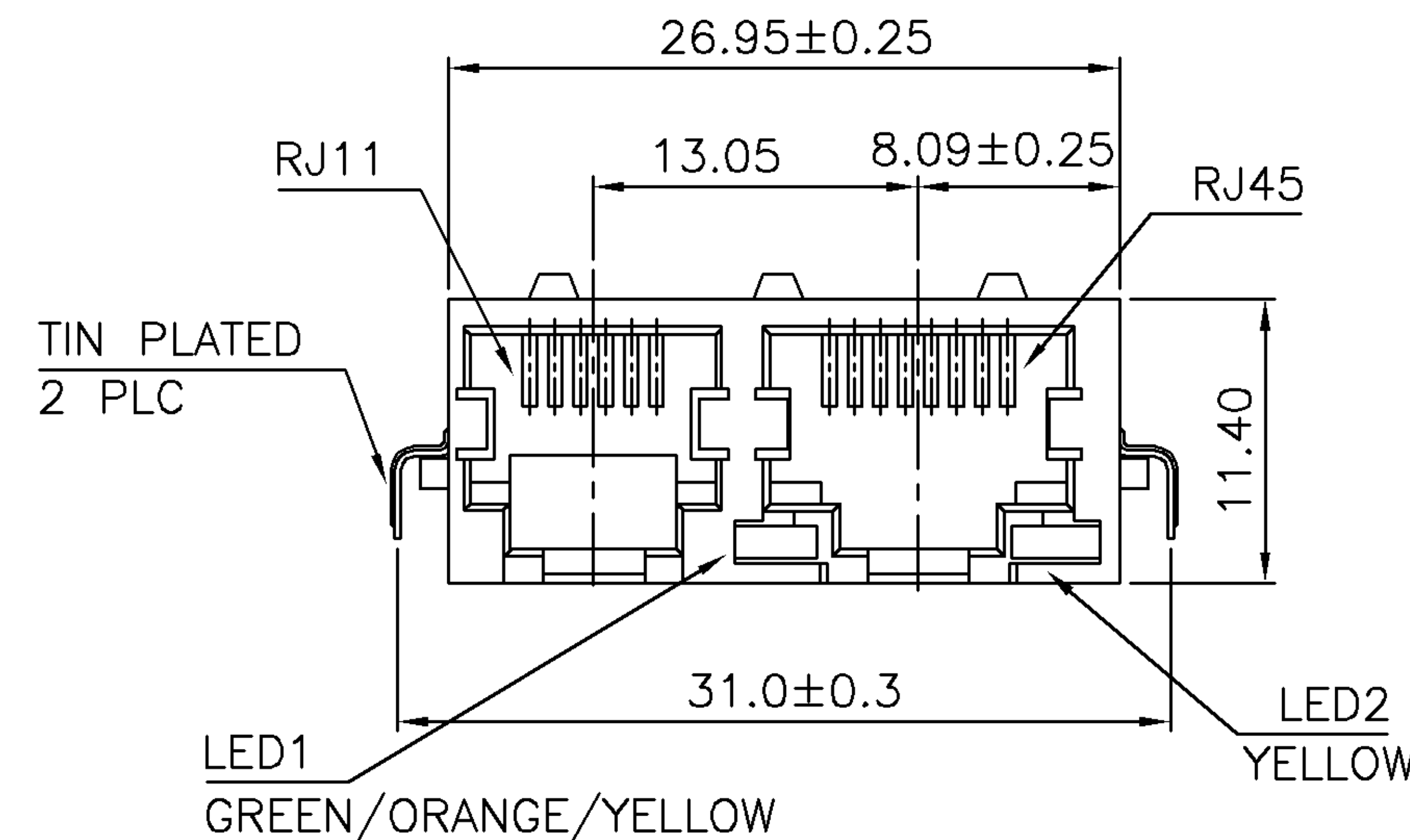
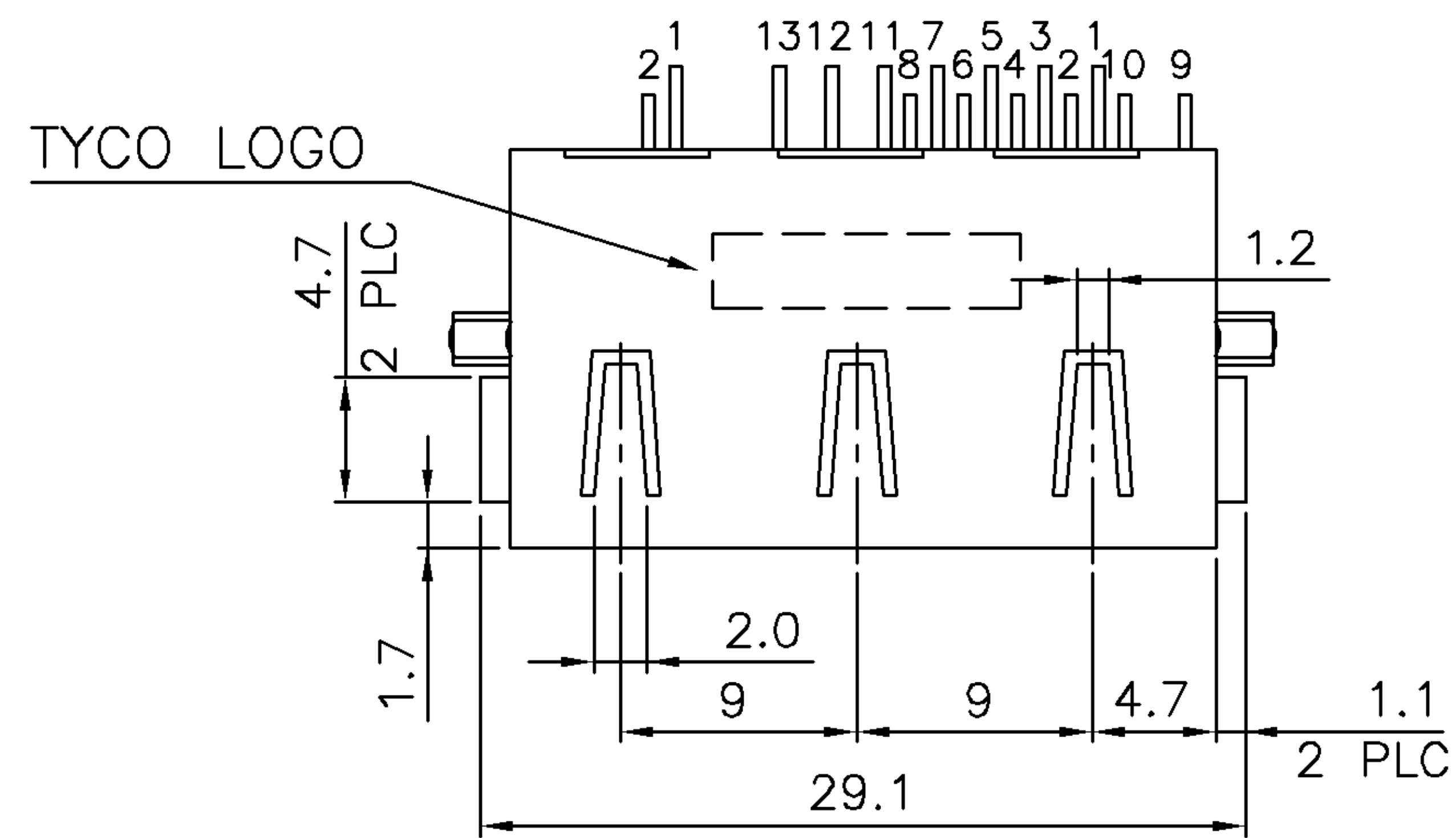
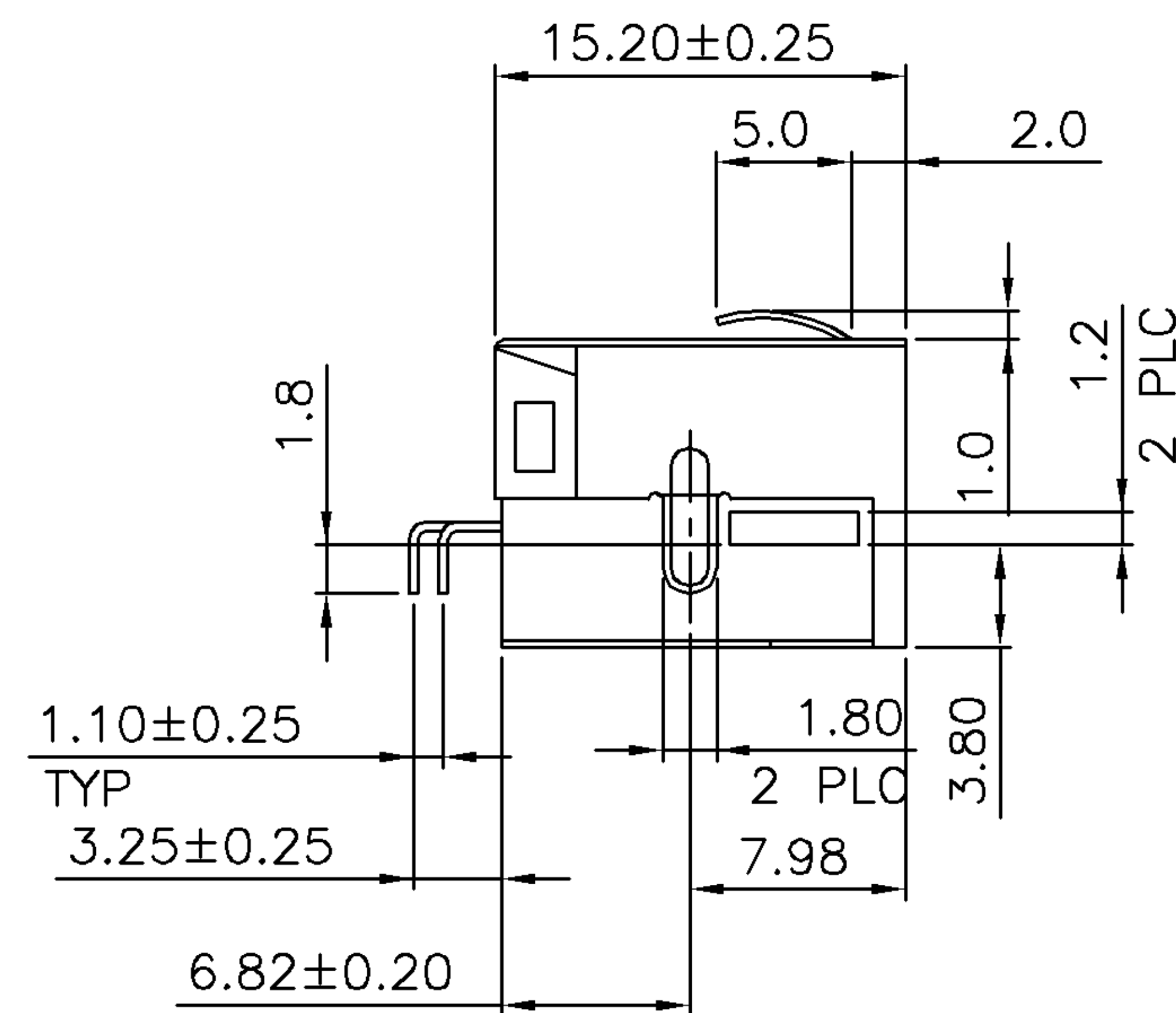
NUMBER
C-1734759



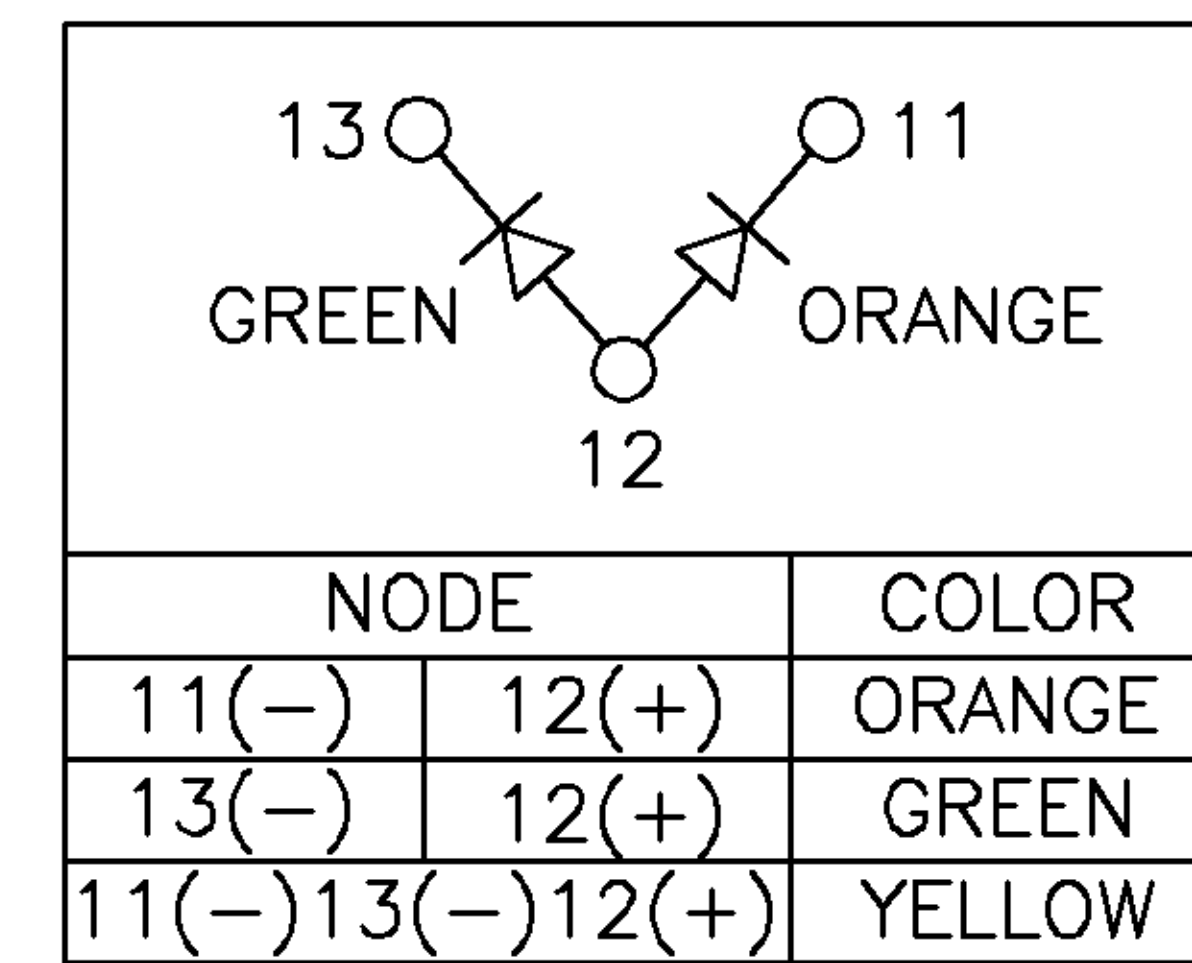
METRIC

THIS INFORMATION IS CONFIDENTIAL AND IS DISCLOSED TO YOU ON CONDITION THAT NO FURTHER DISCLOSURE IS MADE BY YOU TO OTHER THAN AMP PERSONNEL WITHOUT WRITTEN AUTHORIZATION FROM AMP (TAIWAN) LTD. DIMENSIONS IN MILLIMETERS. DO NOT SCALE PRINT.

PRINT DIST
DW



RECOMMENDED PCB LAYOUT (THICKNESS: 1.6mm)
DIMENSION TOLERANCE: 1 PLC: ±0.1 2PLC: ±0.05



ELECTRICAL CIRCUIT

- NOTE:
- MATERIAL:
HOUSING: THERMOPLASTIC HIGH TEMP., UL 94V-0, COLOR: BLACK.
CONTACT: PHOSPHOR BRONZE, THICKNESS: 0.35X0.46mm.
SHIELD: BRASS, THICKNESS=0.20mm.
LED LIGHT: EPOXY RESIN, THICKNESS: 0.50X0.50mm.
 - FINISH:
CONTACT: GOLD PLATED (SEE TABLE) IN CONTACT AREA, GOLD FLASH ON SOLDER TAILS, 50u" MIN NICKEL UNDERPLATED ALL OVER.
SHIELD: 20u" MIN. NICKEL PLATED.
LED LIGHT: 65u" MIN. Ag PLATED.
85u" MIN. TIN PLATED.
 - LED MUST BE REFLOW COMPATIBLE TO FOLLOWING TEMPERATURE PROFILE (FOR 1 CYCLE): ABOVE 160° FOR 120 SECONDS, PEAKING AT 260°C FOR 20~40 SECOND.
 - LED DEFECT RATE IS 9000 PPM MAX. AFTER IR REFLOW PROCESS AS NOTE 3.
 - WAVE SOLDER CAPABLE TO 265°C PER TYCO SPEC 109-202, CONDITION B.

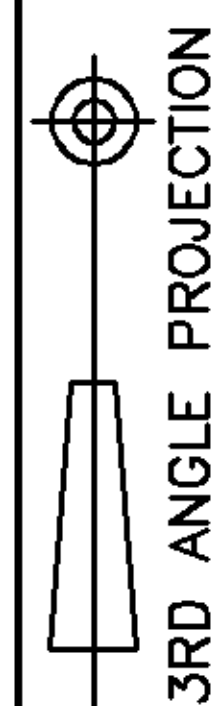
6 OBSOLETE PARTS: OBSOLETE CIS STREAMLINING PER D.RENAUD/D.SINISI

01	REV PER ECO-09-026495	KK	AE	28NOV 2009
0	FIRST RELEASED	OH	SH	12AUG 2005
LTR	REVISION RECORD	DWN	CHK	DATE

TOLERANCES UNLESS OTHERWISE SPECIFIED: 0 PLC ±0.50 1 PLC ±0.30 2 PLC ±0.20 3 PLC ±0.10 ANGLES ±3'		DWN	O. HU	TYCO HOLDINGS (BERMUDA) VII LTD. TAIWAN BRANCH	
		CHK	S. HOU	NAME	
MATERIAL SEE NOTE		APVD	W.J. KE	MODULAR JACK, COMBO, RJ45/RJ11, WITH 3 COLORS LED, REVERSE, DIP TYPE	
FINISH SEE NOTE		PRODUCT SPEC 108-57535		LOC	SIZE
		QUALIFICATION TEST REPORT 501-57625		DW	A ₃
		WEIGHT 5.0g		SCALE	---
				DRAWING NO	C-1734759
				REV	01
				SHEET	1 OF 2

6	OBSOLETE	50μ"	1734759-4
		30μ"	1734759-3
6	OBSOLETE	15μ"	1734759-2
		6μ"	1734759-1
		MIN. GOLD THICKNESS	PART NUMBER

NUMBER
C-1734759

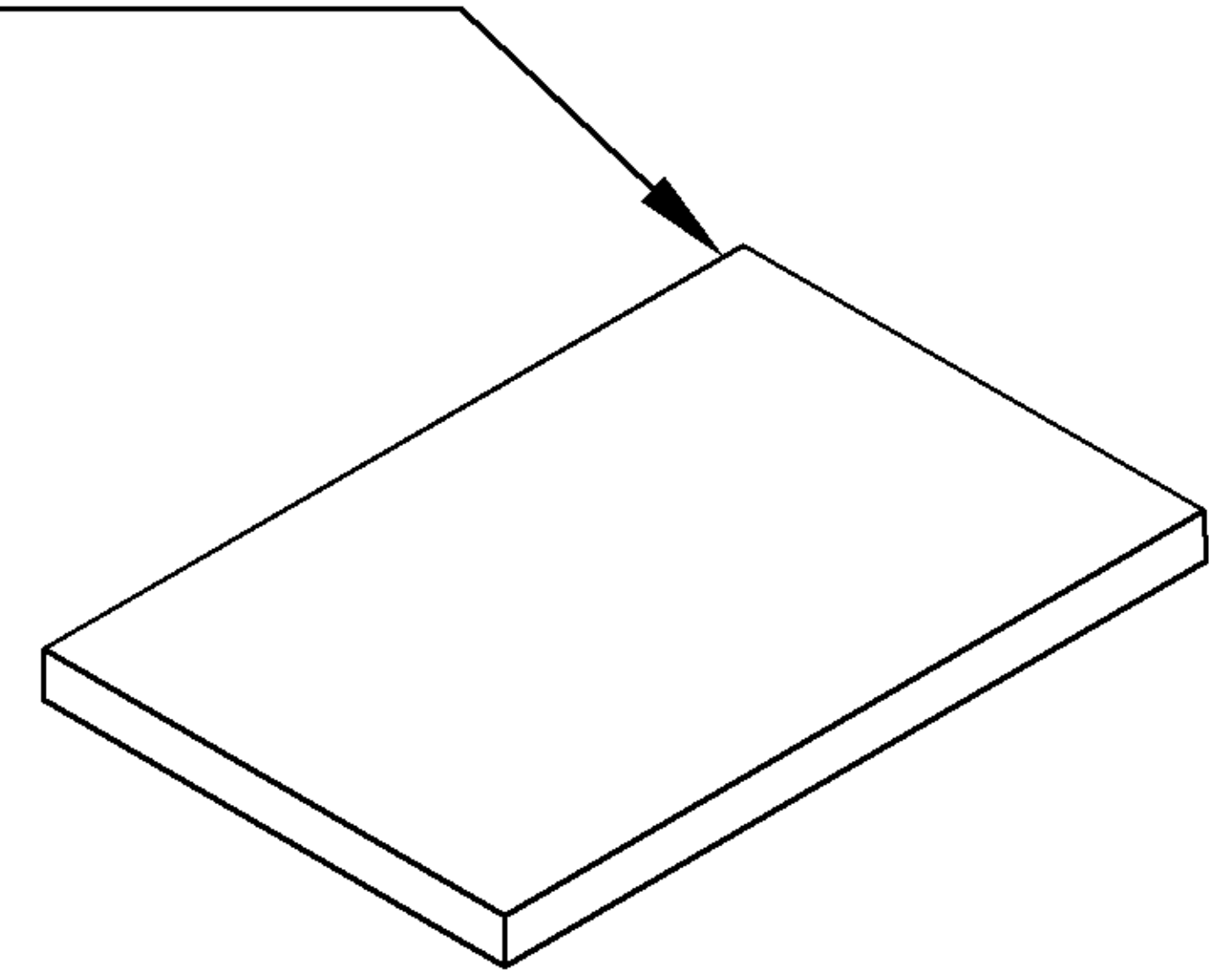


METRIC

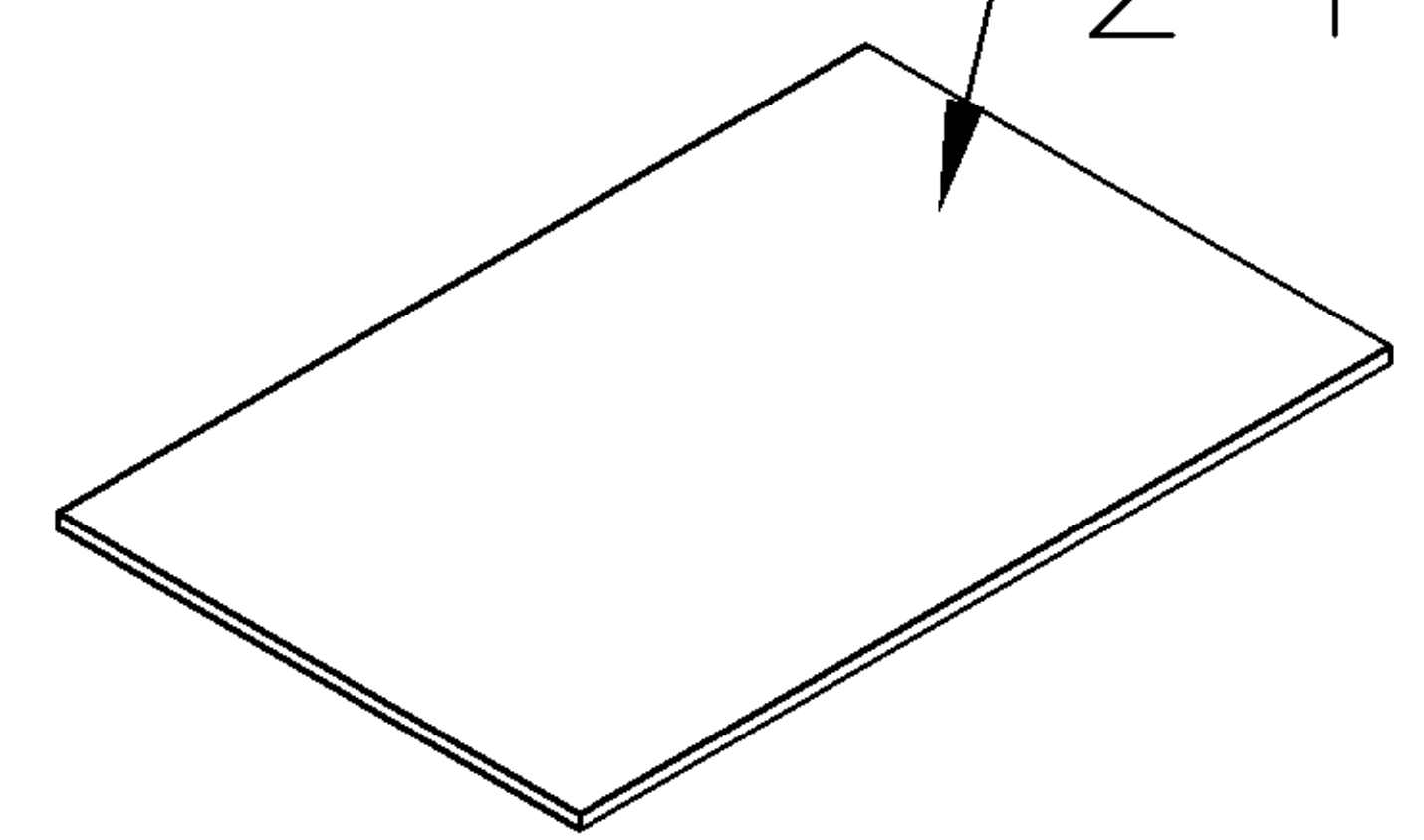
THIS INFORMATION IS CONFIDENTIAL AND IS DISCLOSED TO YOU ON CONDITION THAT NO FURTHER DISCLOSURE IS MADE BY YOU TO OTHER THAN AMP PERSONNEL WITHOUT WRITTEN AUTHORIZATION FROM AMP (TAIWAN) LTD. DIMENSIONS IN MILLIMETERS. DO NOT SCALE PRINT.

PRINT DIST
DW

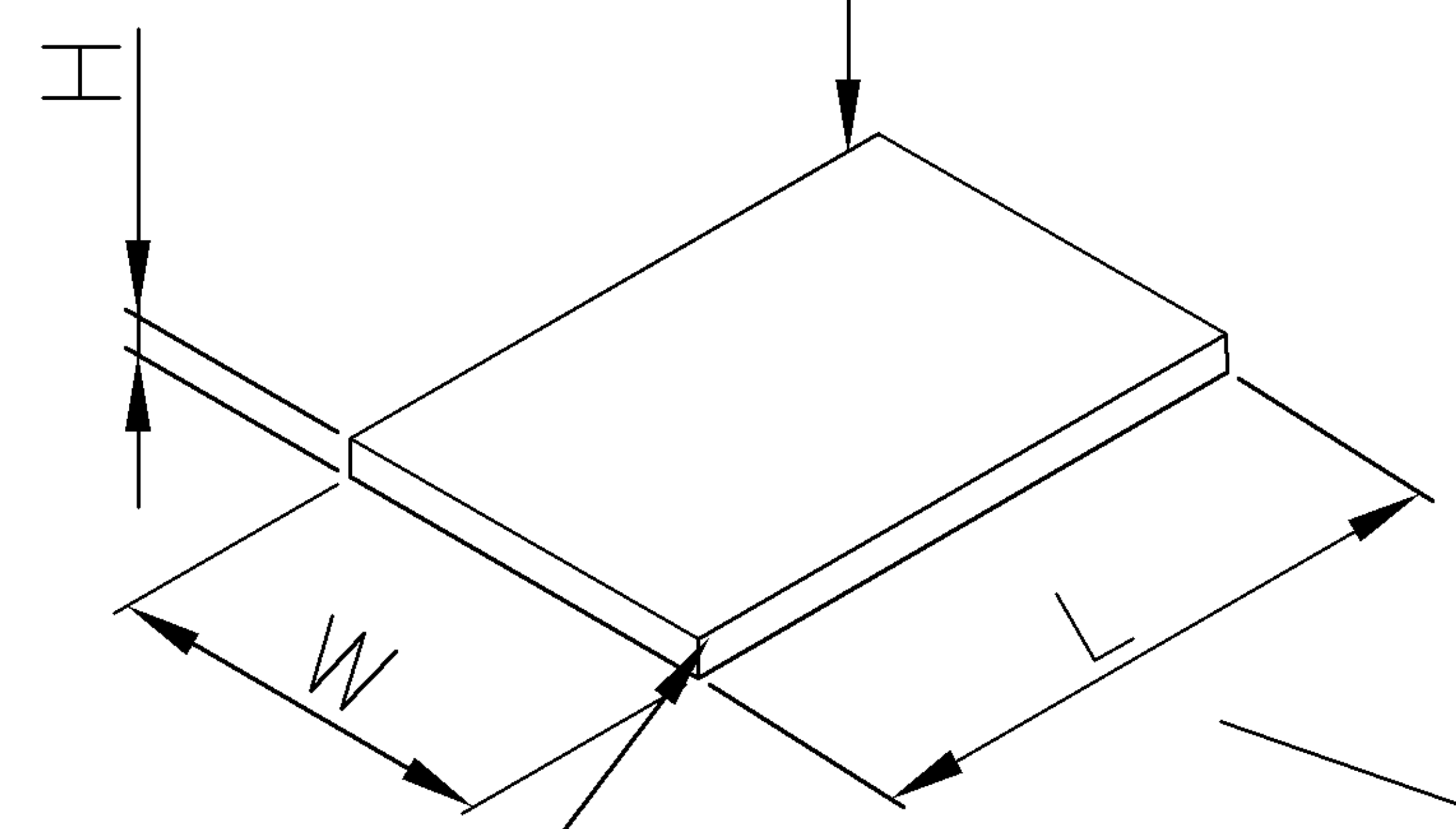
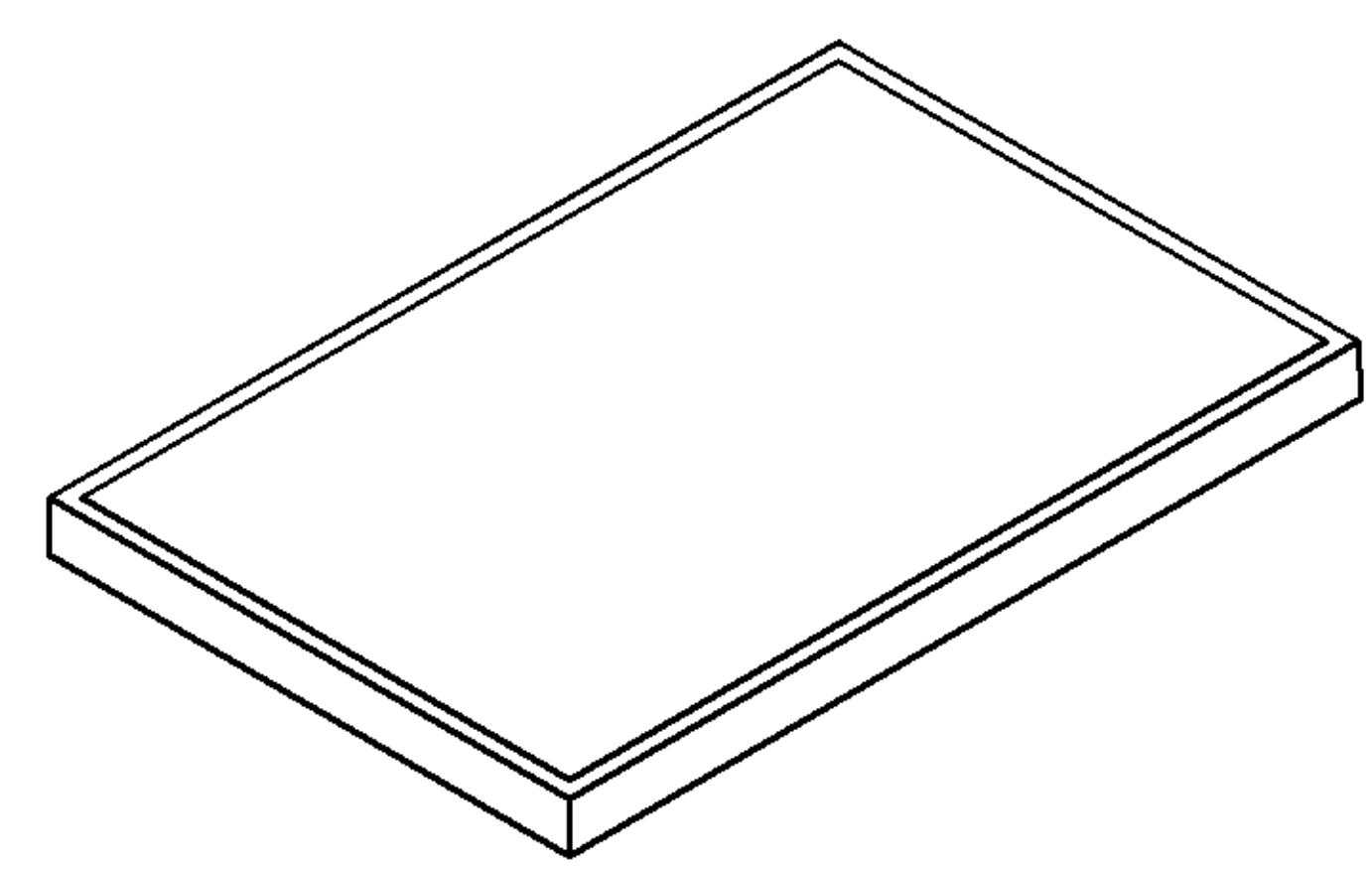
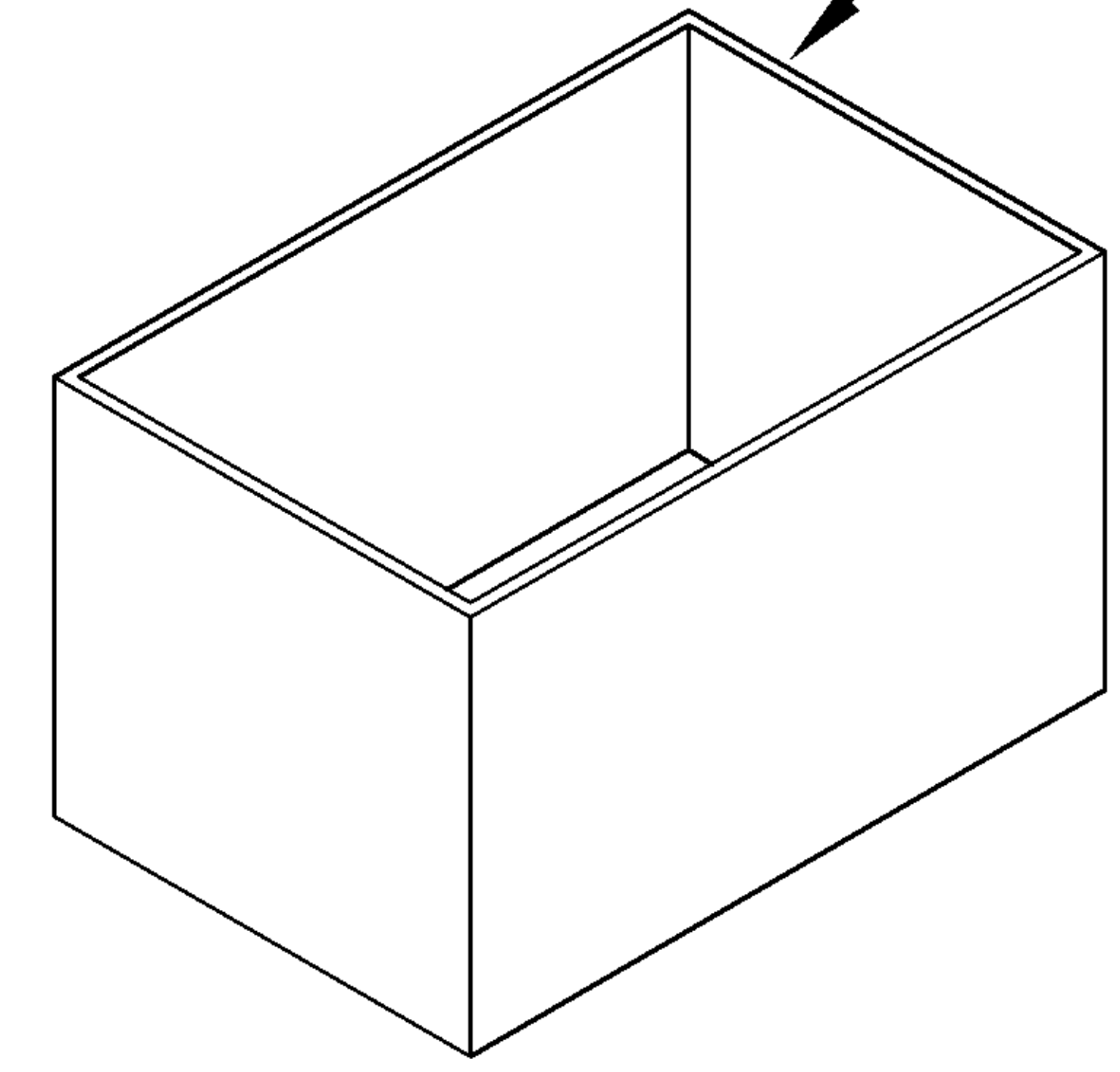
TOP COVER



CLAPBOARD
2 PLC

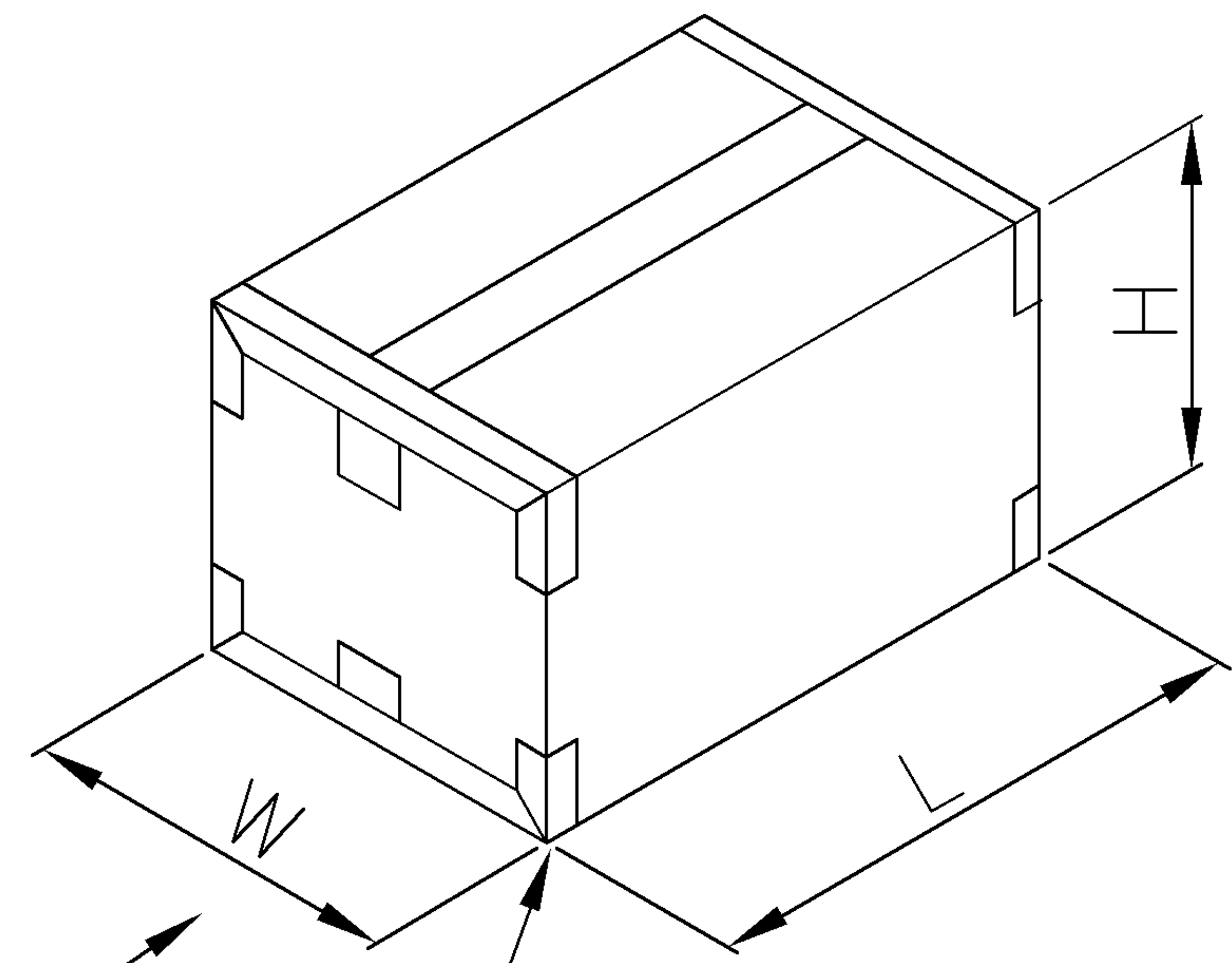


INNER BOX



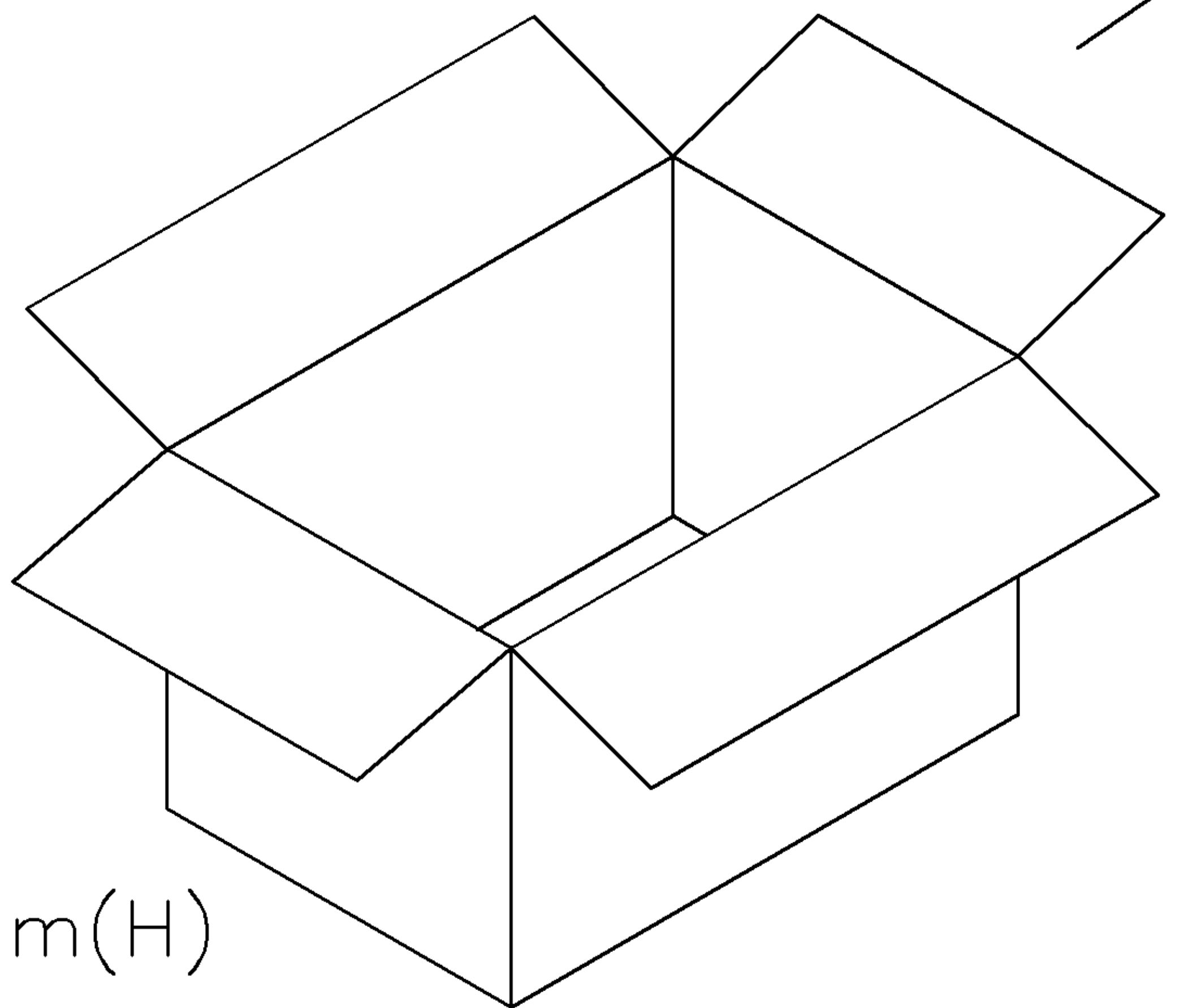
TRAY

330mm(L)X225mm(W)X15mm(H)
80 PCS/TRAY



CARTON

370mm(L)X255mm(W)X220mm(H)
11 TRAY/CARTON
TOTAL: 880 PCS
GROSS WEIGHT: 7Kg



TOLERANCES UNLESS OTHERWISE SPECIFIED:		DWN	O. HU	tyco TYCO HOLDINGS (BERMUDA)	
0 PLC	±		12-AUG-2005	VII LTD. TAIWAN BRANCH	
1 PLC	±	CHK	S. HOU	NAME	
2 PLC	±		12-AUG-2005		
3 PLC	±			MODULAR JACK, COMBO, RJ45/RJ11, WITH 3 COLORS LED, REVERSE, DIP TYPE	
ANGLES	±				
MATERIAL	SEE NOTE	APVD	W.J. KE	LOC SIZE DRAWING NO REV DW C-1734759 01	
		PRODUCT SPEC	12-AUG-2005		
FINISH	SEE NOTE	QUALIFICATION TEST REPORT		SCALE SHEET -- 2 OF 2	
		WEIGHT			

SEE SHEET 1.		ECN	DWN	CHK	DATE
LTR	REVISION RECORD				

8 7 6 5 4 3 2 1 CUSTOMER DRAWING