

4

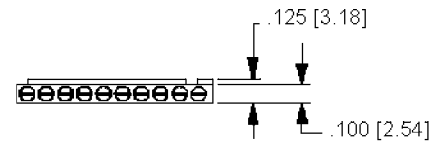
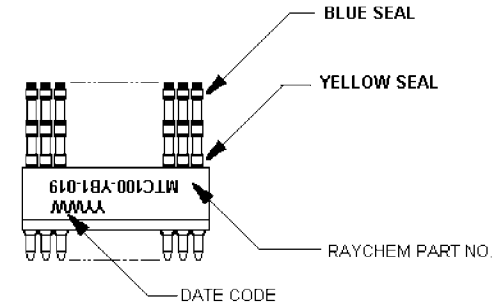
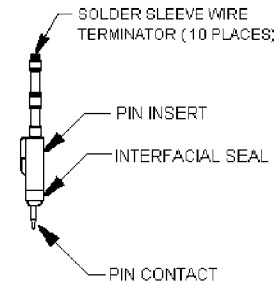
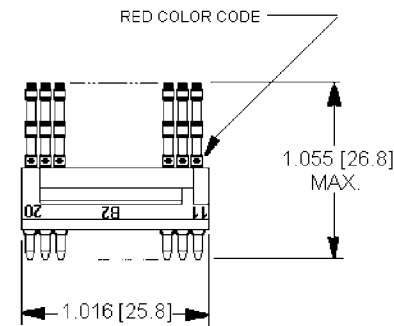
3

2

1

If this document is printed it becomes uncontrolled.
Check for the latest revision.

REVISIONS		DATE	APPROVED
ZONE	LTR	DESCRIPTION	
	B	REVISED PER ECN T-19964	3/29/85 HAGMANN
	C	REVISED PER DCR# T-22294	7/17/98 M.HIGGY



NOTES:

- MATERIAL: 1 - A. WAFER; INSERT MATERIAL HIGH GRADE POLYARYLENE THERMOPLASTIC.
1 - B. CONTACT: COPPER ALLOY PER QQ-B-613.
1 - C. INTERFACIAL SEAL; SILICONE ELASTOMER PER ZZ-R-765.
1 - D. SOLDER SLEEVES; REFER TO CTA-0068.
- FINISH: 2 - A. WAFER; FINISH TO BE AS MOLDED.
2 - B. CONTACT; ENGAGING END, GOLD PLATED PER MIL-G-45204, CLASS 1 TERMINATION END, SOLDER COATED PER QQ-S-571.
- SPECIAL NOTES 3 - A. THIS WAFER INSERT IS QUALIFIED TO **Raychem** SPECIFICATION C-6111.
- THIS INSERT IS INTENDED FOR USE WITH THE MTC100 2" CONNECTOR HOUSING.

TABLE 1

SPECIAL TEST REQUIREMENTS	
EXAMINATION OR TEST	REQUIREMENT
VISUAL AND DIMENSIONAL EXAMINATION	PER SCD
INSULATION RESISTANCE AT AMBIENT TEMPERATURE	5000 MEGOHMS MINIMUM
DIELECTRIC WITHSTAND VOLTAGE AT SEA LEVEL	1500 VAC (RMS) 60 HZ

DO NOT SCALE THIS DRAWING

SPECIFICATION CONTROL DRAWING

UNLESS OTHERWISE SPECIFIED DIMENSIONS ARE IN INCHES AND TOLERANCES ARE XXX = +/- .005 (0.13 MM) XX = +/- .02 (0.51 MM)	DRAWN	LOVATO	7-29-92	Raychem RAYCHEM CORPORATION 300 CONSTITUTION DR. MENLO PARK, CALIFORNIA 94025			
	CHECKED						
	APPROVED						
MATERIAL NOTES	APPROVED			TITLE WAFER, PIN, "B2" 4-WAY, 125 C, 20-26 AWG OVAL ENTRY FOR MTC100 CONNECTORS			
	APPROVED						
FINISH NOTES	CAD NAME	T22294.PCX		SIZE	CODE IDENT	DWG NO	
	PCN	107472-000		A	06090	MTC100-YB1-019	C
SCALE				WEIGHT	2.12 G. MAX		SHEET 1 OF 1