

DESCRIPTION: ABOVE PCB, DECK AND PUSH ROD LOCATION ARE AS VIEW BY USER.

PRODUCT NO. 71299-XXXXX	PUSH-ROD LOCATION	STAND-OFF HEIGHT	(A) HEADER ASSY 71249-XXXX OR 61519-XXXX	(B) MECHANISM ASSY 72336-XXXXX	(C) MATING RECEPTACLE	MOUNTING STYLE TO PCB AND PUSH-ROD SIDE
000CA	RIGHT	0.0	0000	72336-000CA	100 POSITION (2X50) 0.8mm RECEPTACLE PART NO. 73277-101000 PURCHASE SEPARATELY	
020CA	RIGHT	2.2	0022	72336-022CA		
040CA	RIGHT	4.3	0043	72336-043CA		
050CA	RIGHT	5.0	0050	72336-050CA		
050FA (2)	RIGHT	5.0	0050	72336-050FA		
100CA	LEFT	0.0	0000	72336-100CA		
120CA	LEFT	2.2	0022	72336-122CA		
140CA	LEFT	4.3	0043	72336-143CA		
150CA	LEFT	5.0	0050	72336-150CA		
005CA	RIGHT	0.0	0500	72336-000CA		
025CA	RIGHT	0.0	0522	72336-000CA		
045CA	RIGHT	0.0	0543	72336-000CA		
055CA	RIGHT	0.0	0550	72336-000CA		
105CA	LEFT	0.0	0500	72336-100CA		
125CA	LEFT	0.0	0522	72336-100CA		
145CA	LEFT	0.0	0543	72336-100CA		
155CA	LEFT	0.0	0550	72336-100CA		

ORDERING INFORMATION

ORDER:

- EJECT HEADER ASSY (71299-XXXXX/XXXXLF)
- MATING RECEPTACLE (73277-101000/101402LF)

NOTE:

- SEE 71240 FOR DOUBLE-DECK APPLICATIONS.
- PUSH BUTTON LENGTH IS 21mm FOR 71299-050FA & 71299-050FALF(LEAD-FREE TYPE)

mat'l. code		surface ISO 1302		tolerance ISO 406 ISO 1101		projection ISO 1101		product family	
l	tr	ec	n	dr	date	tolerances unless otherwise specified		title	
L	V	20120	R	G	1/18/02	angles	.X±.3	CARDBUS SINGLE DECK ASSY SMT TYPE 123	
M	V	03-0552	W	L	05/29/03	linear	.XX±.13	MM	
N	T	04-0316	W	L	07/12/04	±2'	.XXX±.051	scale 1:1	
P	N	05-0034	W	B	02/16/05	dr	R.GRAPE	7/3/96	dwg no
R	N	08-0060	M	Z	06/20/08	en	D.BRANN	7/3/96	sheet 1 of 1
S	E	X-N-011405	Z	K	04/14/12	chr	D.BRANN	7/3/96	size
						app	D.BRANN	7/3/96	A4
sheet		revision		S	S	S	S	S	S
index		sheet		1	2	3	4	5	6

FCI CONFIDENTIAL

FCI
FCIconnect.com
This document is the property of and embodies CONFIDENTIAL and PROPRIETARY information of FCI. No part of this information shown on this document may be used in any way or disclosed to others without the written consent of FCI.
Copyright FCI.

DESCRIPTION: ABOVE PCB, DECK AND PUSH ROD LOCATION ARE AS VIEW BY USER.

PRODUCT NO. 71299-XXXX	PUSH-ROD LOCATION	STAND-OFF HEIGHT	Ⓐ HEADER ASSY 71249-XXXX OR 61519-XXXX	Ⓑ MECHANISM ASSY 72336-XXXX	Ⓒ MATING RECEPTACLE	MOUNTING STYLE TO PCB AND PUSH-ROD SIDE
000CALF	RIGHT	0.0	0000MLF	72336-000CA	100 POSITION (2X50) 0.8mm RECEPTACLE PART NO. 73277-101000 OR 73277-101402LF PURCHASE SEPARATELY	
020CALF	RIGHT	2.2	0022MLF	72336-022CA		
040CALF	RIGHT	4.3	0043MLF	72336-043CA		
050CALF	RIGHT	5.0	0050MLF	72336-050CA		
050FALF ②	RIGHT	5.0	0050MLF	72336-050FA		
100CALF	LEFT	0.0	0000MLF	72336-100CA		
120CALF	LEFT	2.2	0022MLF	72336-122CA		
140CALF	LEFT	4.3	0043MLF	72336-143CA		
150CALF	LEFT	5.0	0050MLF	72336-150CA		
151CALF	LEFT	5.0	0050MLF	72336-151CA		
005CALF	RIGHT	0.0	0500MLF	72336-000CA		
025CALF	RIGHT	0.0	0522MLF	72336-000CA		
045CALF	RIGHT	0.0	0543MLF	72336-000CA		
055CALF	RIGHT	0.0	0550MLF	72336-000CA		
105CALF	LEFT	0.0	0500MLF	72336-100CA		
125CALF	LEFT	0.0	0522MLF	72336-100CA		
145CALF	LEFT	0.0	0543MLF	72336-100CA		
155CALF	LEFT	0.0	0550MLF	72336-100CA		
156CALF	LEFT	0.0	0550MLF	72336-101CA		

ORDERING INFORMATION

ORDER:

- EJECT HEADER ASSY (71299-XXXX/XXXXLF)
- MATING RECEPTACLE (73277-101000/101402LF)

NOTE:

- SEE 71240 FOR DOUBLE-DECK APPLICATIONS.
- PUSH BUTTON LENGTH IS 21mm FOR 71299-050FA & 71299-050FALF(LEAD-FREE TYPE)

mat'l. code	surface ISO 1302	tolerance ISO 406 ISO 1101	projection ISO 1101	product family
ltr	ecn	no	dr	date
tolerances unless otherwise specified				
S	angles	linear	.XX±.13	
	±2'	linear	.XXX±.051	
	dr	R.GRAPE	7/3/96	
	engr	D.BRANN	7/3/96	
	chr	D.BRANN	7/3/96	
	appd	D.BRANN	7/3/96	
sheet index	revision sheet			

CARDBUS SINGLE DECK
ASSY SMT TYPE 123

dwg no 71299 sheet 2 of 1 size A4
type CUSTOMER Drawing



FCI CONFIDENTIAL

FCI
FCIconnect.com

This document is the property of and embodies CONFIDENTIAL and PROPRIETARY information of FCI. No part of this information shown on this document may be used in any way or disclosed to others without the written consent of FCI.
Copyright FCI.

FCI CONFIDENTIAL



This document is the property of and embodies CONFIDENTIAL and PROPRIETARY information of FCI. No part of this information shown on this document may be used in any way or disclosed to others without the written consent of FCI. Copyright FCI.

Form: A3

DESCRIPTION: BELOW PCB, DECK AND PUSH ROD LOCATION ARE AS VIEWED BY USER

PRODUCT NO. 71299-XXXXX	PUSH-ROD LOCATION	STAND-OFF HEIGHT	(A) HEADER ASSY 71249-XXXX	(B) MECHANISM ASSY 72337-XXXX	(C) MATING RECEPTACLE	MOUNTING STYLE TO PCB AND PUSH-ROD SIDE
520CA	RIGHT	2.2	5022	72337-122CA	100 POSITION (2X50) 0.8mm RECEPTACLE PART NO. 73277-101000 73277-101402LF	
540CA	RIGHT	4.3	5043	72337-143CA		
550CA	RIGHT	5.0	5050	72337-150CA		
520CALF	RIGHT	2.2	5022LF	72337-122CA		
540CALF	RIGHT	4.3	5043LF	72337-143CA		
550CALF	RIGHT	5.0	5050LF	72337-150CA		
620CA	LEFT	2.2	5022	72337-022CA		
640CA	LEFT	4.3	5043	72337-043CA		
650CA	LEFT	5.0	5050	72337-050CA		
620CALF	LEFT	2.2	5022LF	72337-022CA		
640CALF	LEFT	4.3	5043LF	72337-043CA		
650CALF	LEFT	5.0	5050LF	72337-050CA		
525CA	RIGHT	0.0	5522	72337-100CA		
545CA	RIGHT	0.0	5543	72337-100CA		
555CA	RIGHT	0.0	5550	72337-100CA		
① 555DA	RIGHT	0.0	5550	72337-100DA		
525CALF	RIGHT	0.0	5522LF	72337-100CA		
545CALF	RIGHT	0.0	5543LF	72337-100CA		
555CALF	RIGHT	0.0	5550LF	72337-100CA		
① 555DALF	RIGHT	0.0	5550LF	72337-100DA		
625CA	LEFT	0.0	5522	72337-000CA		
645CA	LEFT	0.0	5543	72337-000CA		
655CA	LEFT	0.0	5550	72337-000CA		
625CALF	LEFT	0.0	5522LF	72337-000CA		
645CALF	LEFT	0.0	5543LF	72337-000CA		
655CALF	LEFT	0.0	5550LF	72337-000CA		

ORDERING INFORMATION

ORDER:

- EJECT HEADER ASSY (71299-XXXXX/XXXXLF)
- MATING RECEPTACLE (73277-101000/101402LF)

- NOTES:**
- ① 555DA HAS 15.6mm PUSH BUTTON RETURN LENGTH INSTEAD OF 13.0mm.
 - BELOW P.C.B., 0.0mm STAND-OFF IS NOT AVAILABLE.

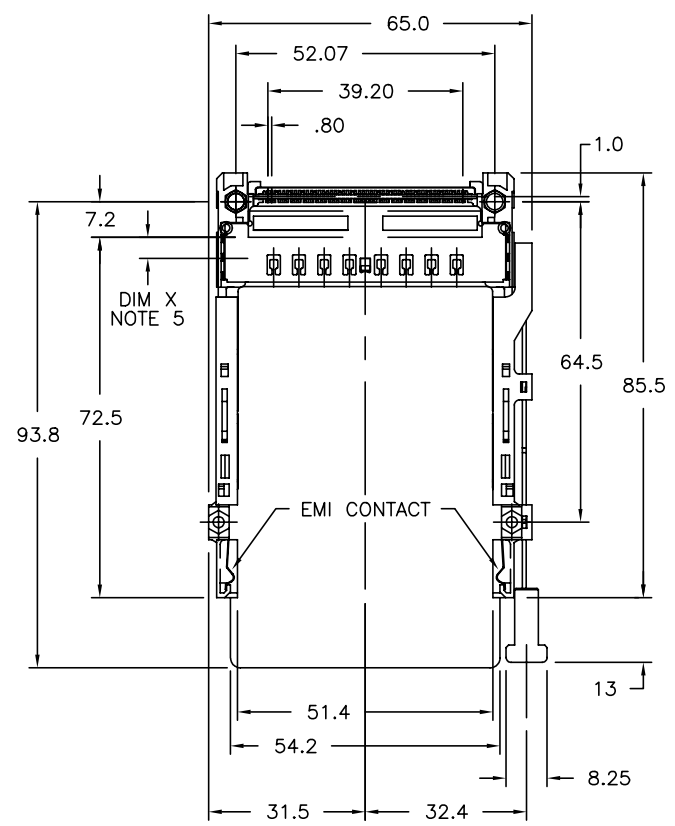
mat'l. code	surface ISO 1302	tolerance ISO 406 ISO 1181	projection 1:1	product family
ltr	ecn	no	dr	date
tolerances unless otherwise specified				title
S	angles	linear	MM	CARDBUS SINGLE DECK ASSY SMT TYPE 123
	±2'	.X±.3 .XX±.13 .XXX±.051	scale 1:1	
	dr	R.GRAPE	7/3/96	dwg no
	engr	D.BRANN	7/3/96	71299
	chr	D.BRANN	7/3/96	sheet 3 of 11
	appd	D.BRANN	7/3/96	size A4
sheet index				revision sheet
type CUSTOMER				Drawing

FCI CONFIDENTIAL

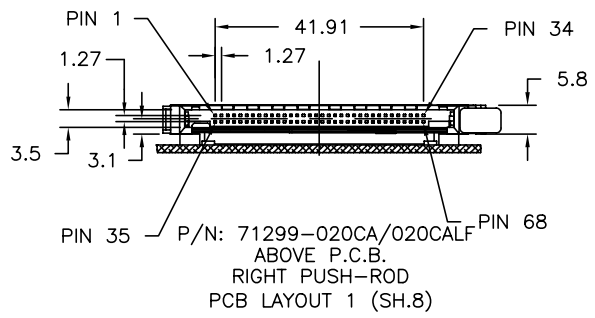
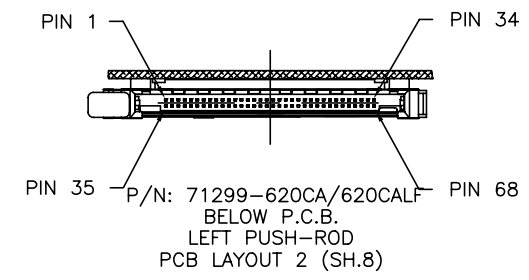
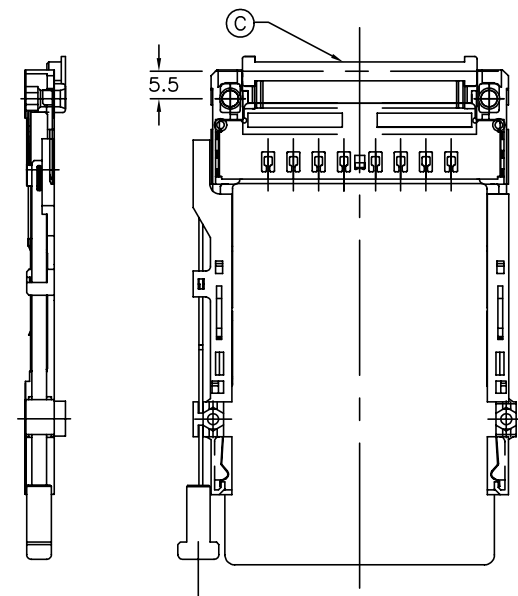
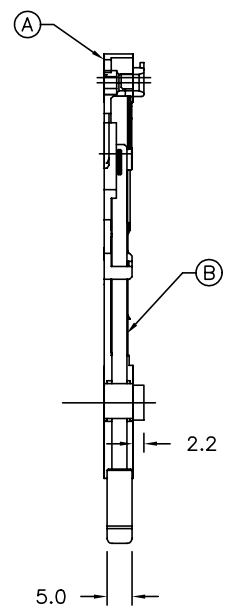
FCI
FCIconnect.com

This document is the property of and embodies CONFIDENTIAL and PROPRIETARY information of FCI. No part of this information shown on this document may be used in any way or disclosed to others without the written consent of FCI.
Copyright FCI.

PRODUCT NUMBER
71299-*****/****LF



MATING RECEPTACLE
SHOWN FOR APPLICATION
CLARITY ONLY
MUST BE PURCHASED
SEPARATELY

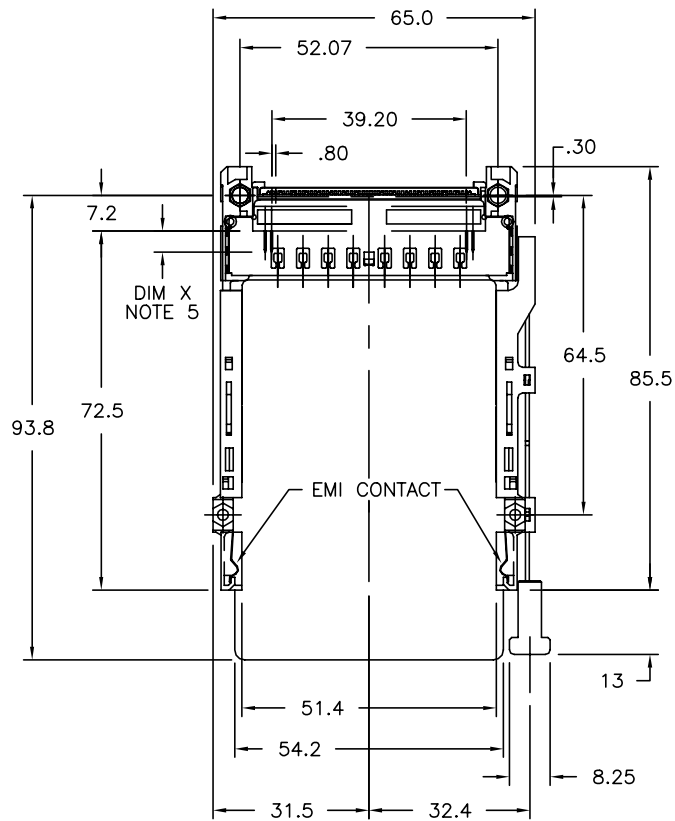


mat'l. code	surface ISO 1302	tolerance ISO 406 ISO 1101	projection 1:1	product family	
tr	ec	n	o	r	
date	tolerances unless otherwise specified			title	
S	angles	.X±.3	MM	CARDBUS SINGLE DECK ASSY SMT TYPE 123	
	linear	.XX±.13	←→		
	±2'	.XXX±.051	scale 1:1	dwg no	
dr	R.GRAPE	7/3/96	FCI	sheet 4 of 1	
en	D.BRANN	7/3/96		71299	A4
chr	D.BRANN	7/3/96		type CUSTOMER	Drawing
app	D.BRANN	7/3/96			
sheet index	revision sheet				

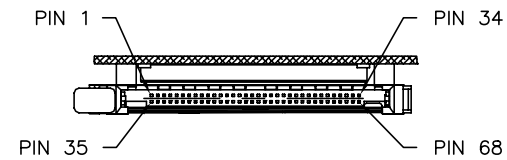
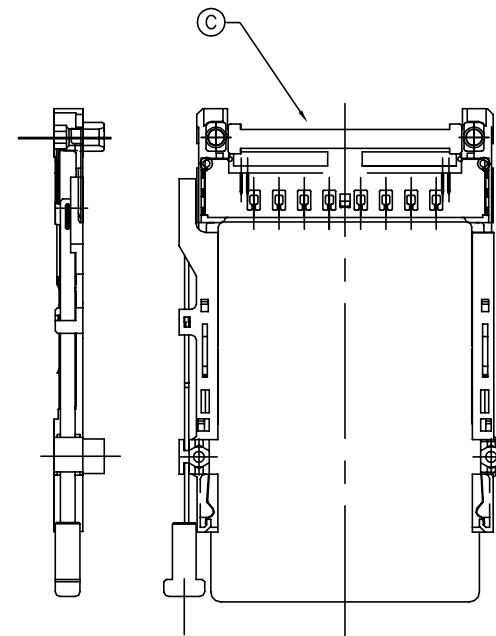
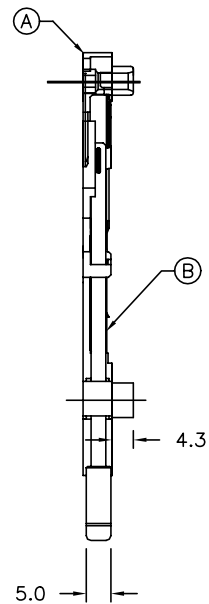
FCI CONFIDENTIAL

This document is the property of and embodies CONFIDENTIAL and PROPRIETARY information of FCI. No part of the information shown on this document may be used in any way or disclosed to others without the written consent of FCI. Copyright FCI.

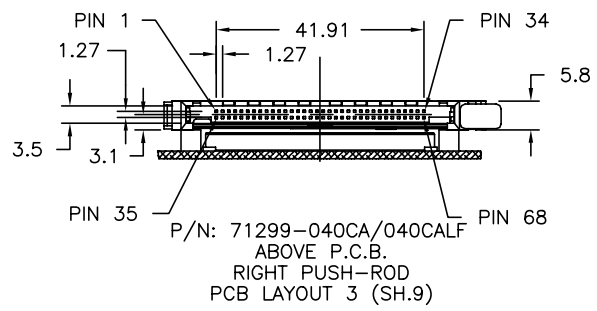
PRODUCT NUMBER
71299-*****/****_LF



MATING RECEPTACLE
SHOWN FOR APPLICATION
CLARITY ONLY
MUST BE PURCHASED
SEPARATELY



P/N: 71299-640CA/640CALF
BELOW P.C.B.
LEFT PUSH-ROD
PCB LAYOUT 4 (SH.9)



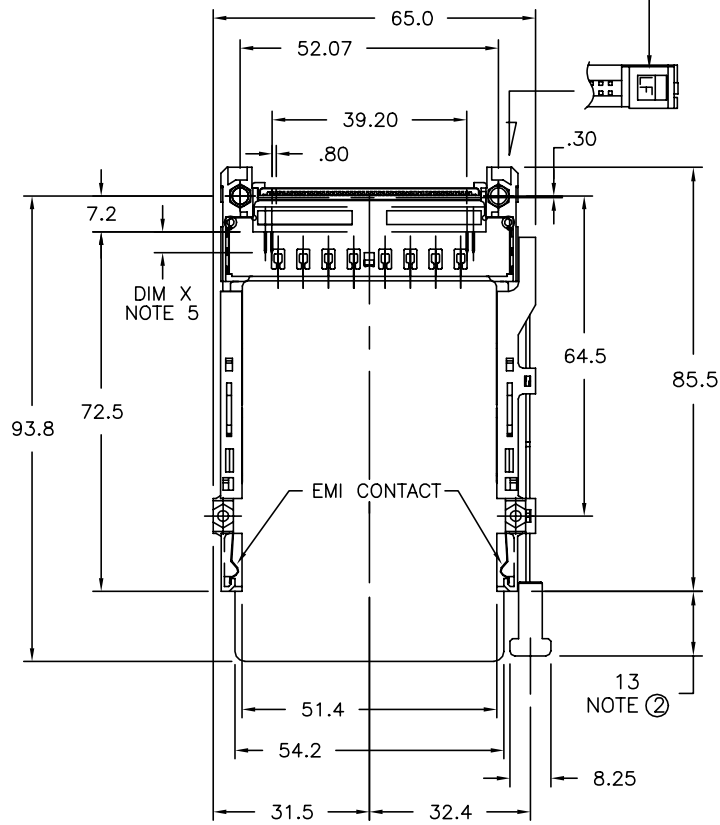
P/N: 71299-040CA/040CALF
ABOVE P.C.B.
RIGHT PUSH-ROD
PCB LAYOUT 3 (SH.9)

mat'l. code		surface	tolerance	projection	product family
		ISO 1302	ISO 406 ISO 1101		
l	tr	ec	no	dr	date
tolerances unless otherwise specified					title
angles					linear
.X±.3					MM
.XX±.13					scale:1:1
±2'					.XXX±.051
dr	R.GRAPE	7/3/96	dwg no		
enr	D.BRANN	7/3/96	sheet 5 of 11 size		
chr	D.BRANN	7/3/96	71299 A4		
app	D.BRANN	7/3/96	type CUSTOMER Drawing		
sheet index	revision sheet				

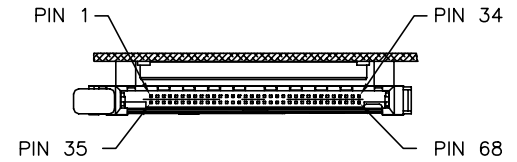
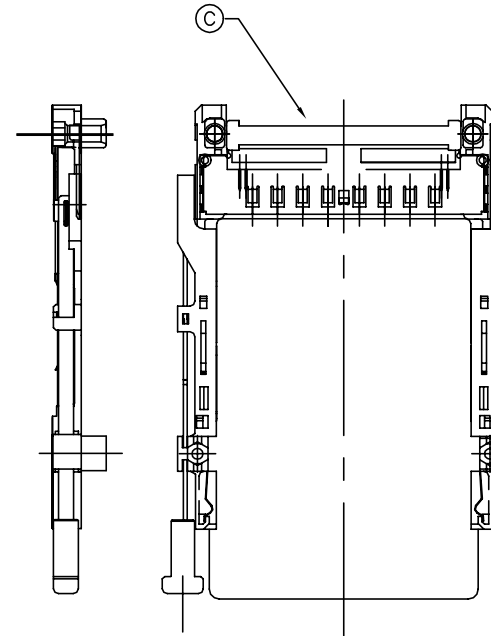
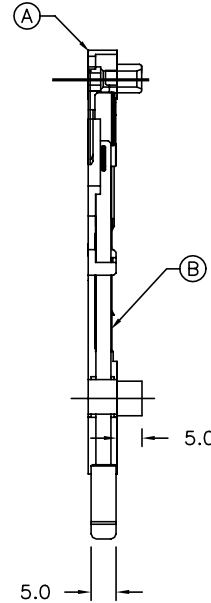
PRODUCT NUMBER
71299-****/****LF

FCI CONFIDENTIAL

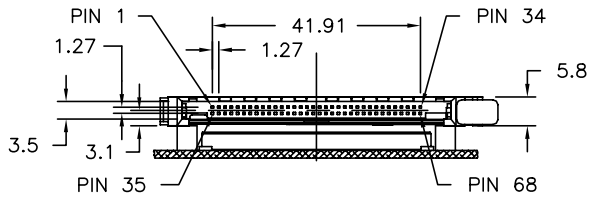
FOR LEAD-FREE TYPE ONLY(REF.)



MATING RECEPTACLE
SHOWN FOR APPLICATION
CLARITY ONLY
MUST BE PURCHASED
SEPARATELY



P/N: 71299-650CA
BELOW P.C.B.
LEFT PUSH-ROD
PCB LAYOUT 4 (SH.9)



P/N: 71299-050FA/-050FALF
(NOTE 2)

P/N: 71299-050CA/-050CALF
ABOVE P.C.B.
RIGHT PUSH-ROD
PCB LAYOUT 3 (SH.9)

mat'l. code		surface	tolerance	projection	product family
		ISO 1302	ISO 406 ISO 1101	1:1	1181
ltr ecn nodr date		tolerances unless otherwise specified			title
S		angles	.X±.3	linear	CARDBUS SINGLE DECK ASSY SMT TYPE 123
		±2'	.XX±.13	MM	
			.XXX±.051	scale:1:1	
		dr	R.GRAPE	7/3/96	dwg no
		enr	D.BRANN	7/3/96	71299
		chr	D.BRANN	7/3/96	sheet 6 of 1
		appd	D.BRANN	7/3/96	size
					A4
sheet	revision				type
index	sheet				CUSTOMER
					Drawing

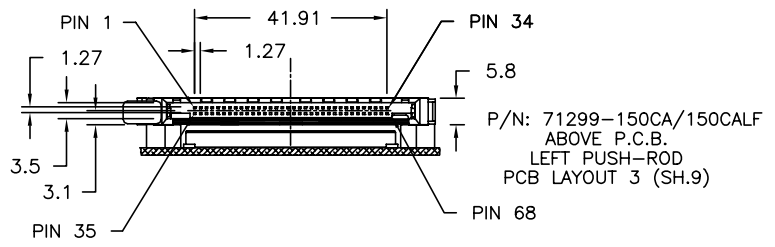
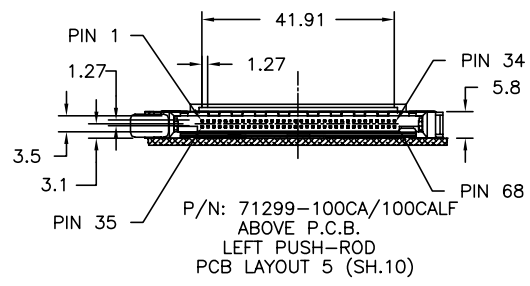
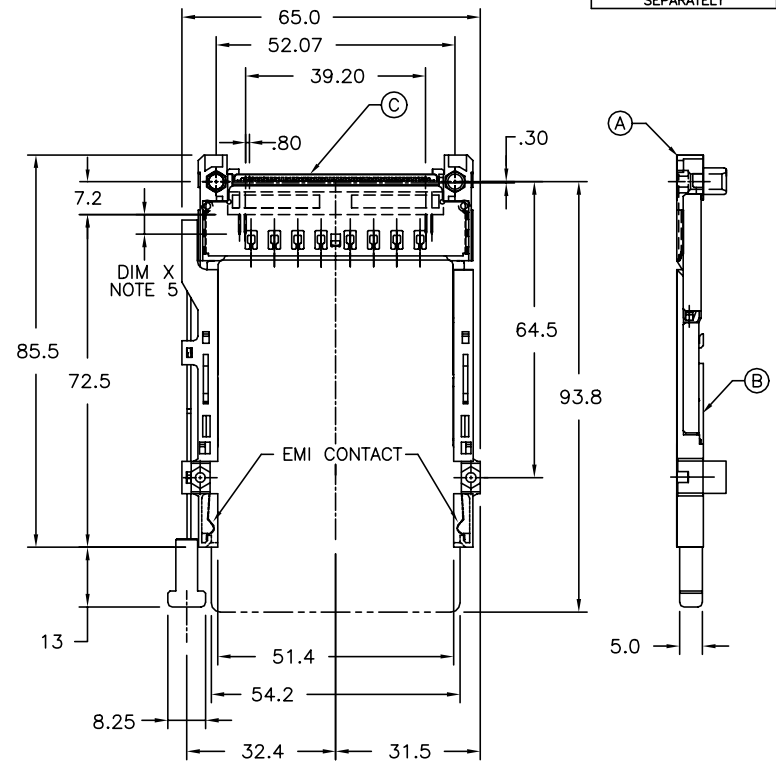
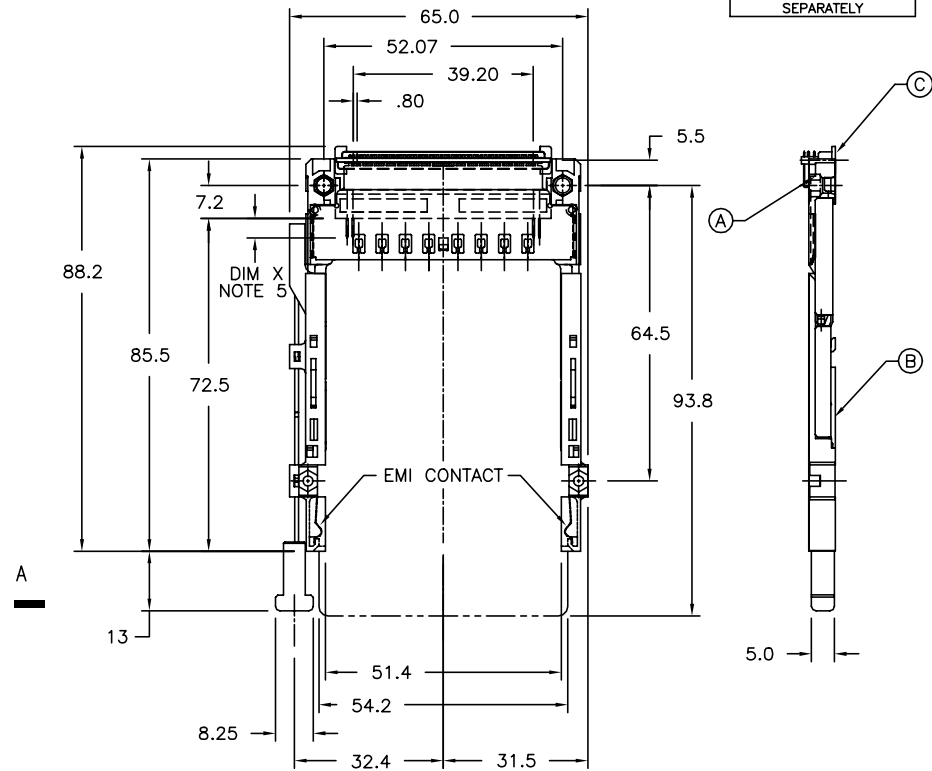
This document is the property of and embodies CONFIDENTIAL and PROPRIETARY information of FCI. No part of this information shown on this document may be used in any way or disclosed to others without the written consent of FCI.
 Copyright FCI.

FCI CONFIDENTIAL

PRODUCT NUMBER
71299-****/****LF

MATING RECEPTACLE
SHOWN FOR APPLICATION
CLARITY ONLY
MUST BE PURCHASED
SEPARATELY

MATING RECEPTACLE
SHOWN FOR APPLICATION
CLARITY ONLY
MUST BE PURCHASED
SEPARATELY

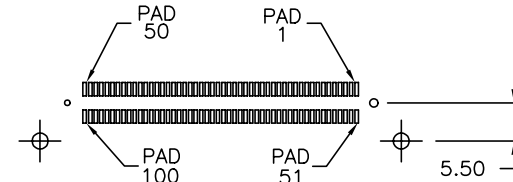
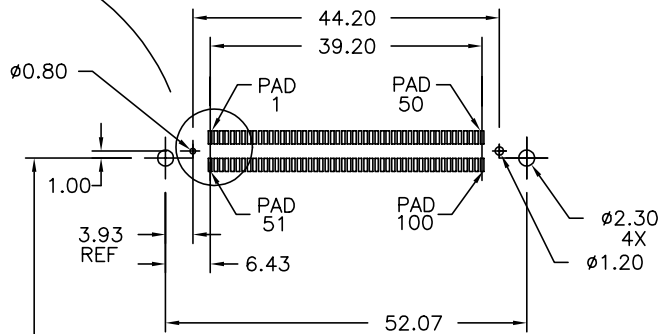
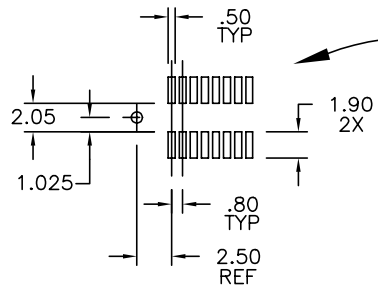


This document is the property of and embodies CONFIDENTIAL and PROPRIETARY information of FCI. No part of this information shown on this document may be used in any way or disclosed to others without the written consent of FCI. Copyright FCI.

mat'l. code		surface	tolerance	projection	product family
		ISO 1302	ISO 406 ISO 1101	1:1	
trn ecn nldr date		tolerances unless otherwise specified			title
		angles	.X±.3	MM	CARDBUS SINGLE DECK ASSY SMT TYPE 123
		linear	.XX±.13	←→	
		±2'	.XXX±.051	scale 1:1	
		dr	R.GRAPE	7/3/96	dwg no
		engr	D.BRANN	7/3/96	sheet 7 of 11
		chr	D.BRANN	7/3/96	71299
		appd	D.BRANN	7/3/96	A4
					type CUSTOMER Drawing

sheet index	revision sheet																		
-------------	----------------	--	--	--	--	--	--	--	--	--	--	--	--	--	--	--	--	--	--

P.C.B. LAYOUT FOR 2.2mm STANDOFF



P.C.B. LAYOUT 1
ABOVE PCB
AS ASSEMBLED

P.C.B. LAYOUT 2
BELOW PCB
AS ASSEMBLED

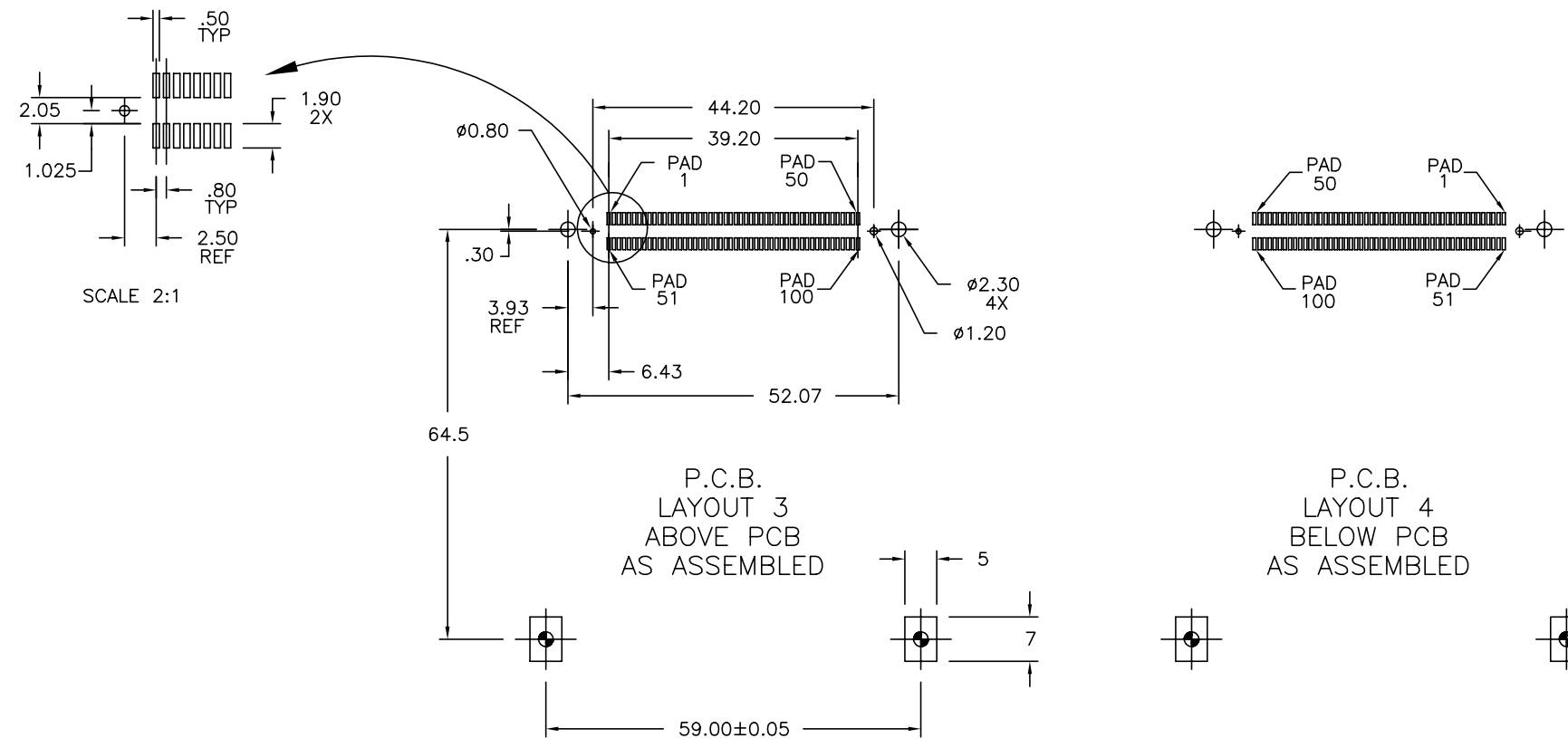
mat'l. code		surface		tolerance		projection		product family	
		ISO 1302		ISO 406 ISO 1101		1:1		CARDBUS SINGLE DECK ASSY SMT TYPE 123	
tr		ecn		no		dr		date	
S		angles		linear		.XX±.3		tolerances unless otherwise specified	
		±2°		.XX±.13		MM		title	
				.XXX±.051		scale 1:1		dwg no	
		dr		R.GRAPE		7/3/96		sheet 8 of 11	
		enr		D.BRANN		7/3/96		size	
		chr		D.BRANN		7/3/96		A4	
		appd		D.BRANN		7/3/96		type CUSTOMER Drawing	
sheet		revision							
index		sheet							

This document is the property of and embodies CONFIDENTIAL and PROPRIETARY information of FCI. No part of this information shown on this document may be used in any way or disclosed to others without the written consent of FCI. Copyright FCI.

FCI FCIconnect.com

FCI CONFIDENTIAL

P.C.B. LAYOUT FOR 4.3 AND 5.0mm STANDOFFS

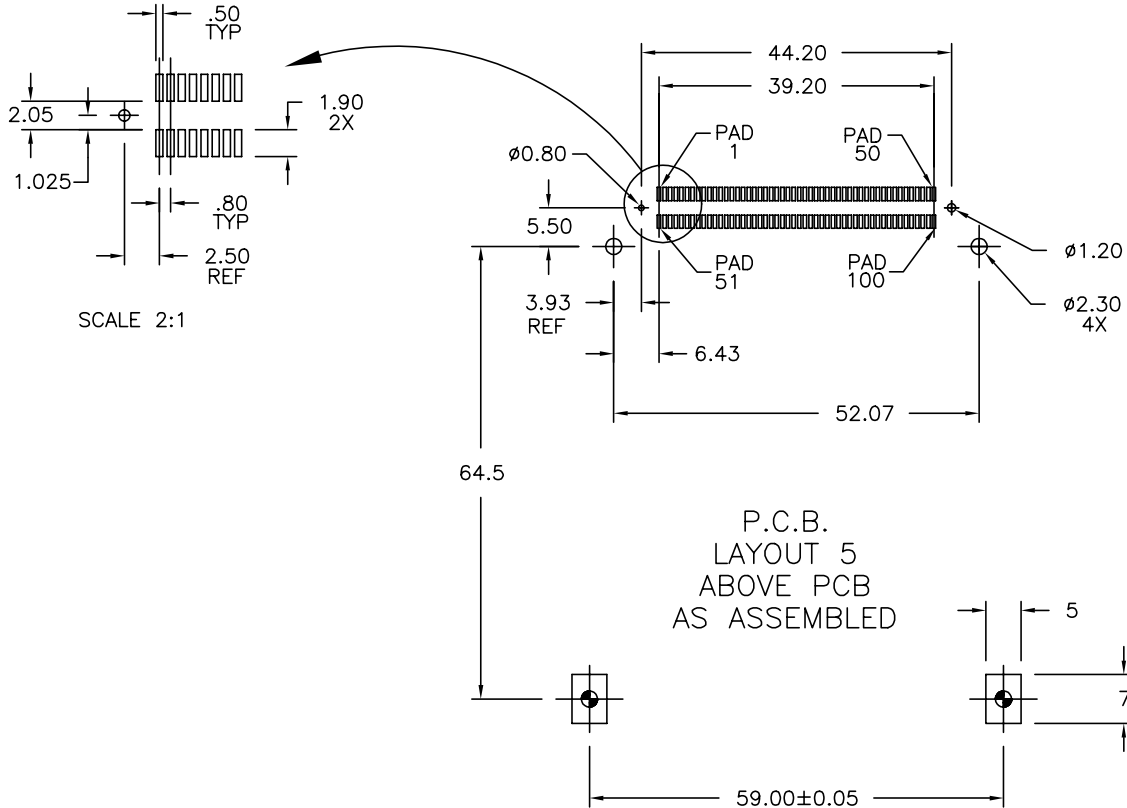


This document is the property of and embodies CONFIDENTIAL and PROPRIETARY information of FCI. No part of this information shown on this document may be used in any way or disclosed to others without the written consent of FCI. Copyright FCI.

mat'l. code		surface		tolerance		projection		product family	
		ISO 1302		ISO 406 ISO 1181		1:1		CARDBUS SINGLE DECK ASSY SMT TYPE 123	
tr		ecn		no		dr		date	
S		angles		linear		MM		title	
		±2'		.X±.3		scale:1:1		dwg no	
				.XX±.13				sheet 9 of 11	
				.XXX±.051				size	
		dr		R.GRAPE		7/3/96		A4	
		engr		D.BRANN		7/3/96		71299	
		chr		D.BRANN		7/3/96		type CUSTOMER	
		appd		D.BRANN		7/3/96		Drawing	
sheet		revision							
index		sheet							

FCI CONFIDENTIAL

P.C.B. LAYOUT FOR 0mm STANDOFF



P.C.B.
LAYOUT 5
ABOVE PCB
AS ASSEMBLED

mat'l. code		surface		tolerance		projection		product family	
		ISO 1302		ISO 406		ISO 1181		CARDBUS SINGLE DECK	
tr		ec		n		o		dr	
date		tolerances unless otherwise specified		linear		angular		title	
		±2'		.XX±.13		.X±.3		MM	
				.XXX±.051		scale 1:1		ASSY SMT TYPE 123	
dr		R.GRAPE		7/3/96		FCI		dwg no	
en		D.BRANN		7/3/96				sheet 1 of 1	
chr		D.BRANN		7/3/96				71299	
app		D.BRANN		7/3/96				A4	
type		CUSTOMER		Drawing					
sheet index		revision sheet							

This document is the property of and embodies CONFIDENTIAL and PROPRIETARY information of FCI. No part of this information shown on this document may be used in any way or disclosed to others without the written consent of FCI.
 Copyright FCI.

FCI CONFIDENTIAL



This document is the property of and embodies CONFIDENTIAL and PROPRIETARY information of FCI. No part of this information shown on this document may be used in any way or disclosed to others without the written consent of FCI.
Copyright FCI.

HEADER PINOUT	TYPE	BTB 100 POS RECEPTACLE	HEADER PINOUT	TYPE	BTB 100 POS RECEPTACLE
1	GND	1	35	GND	51
2	SIG	2	36	DET	52
3	SIG	3	37	SIG	53
4	SIG	5	38	SIG	55
5	SIG	6	39	SIG	56
6	SIG	8	40	SIG	58
7	SIG	9	41	SIG	59
8	SIG	11	42	SIG	61
9	SIG	12	43	SIG	62
10	SIG	14	44	SIG	64
11	SIG	15	45	SIG	65
12	SIG	17	46	SIG	67
13	SIG	18	47	SIG	68
14	SIG	20	48	SIG	70
15	SIG	21	49	SIG	71
16	SIG	23	50	SIG	73
17	PWR	24	51	PWR	74
18	SIG	27	52	SIG	77
19	SIG	28	53	SIG	78
20	SIG	30	54	SIG	80
21	SIG	31	55	SIG	81
22	SIG	33	56	SIG	83
23	SIG	34	57	SIG	84
24	SIG	36	58	SIG	86
25	SIG	37	59	SIG	87
26	SIG	39	60	SIG	89
27	SIG	40	61	SIG	90
28	SIG	42	62	SIG	92
29	SIG	43	63	SIG	93
30	SIG	45	64	SIG	95
31	SIG	46	65	SIG	96
32	SIG	48	66	SIG	98
33	SIG	49	67	DET	99
34	GND	50	68	GND	100

SHIELD PINOUT	TYPE	BTB 100 POS RECEPTACLE
1	GND	4 & 54
2	GND	7 & 57
3	GND	10 & 60
4	GND	13 & 63
5	GND	16 & 66
6	GND	19 & 69
7	GND	22 & 72
8	GND	25 & 75
9	GND	26 & 76
10	GND	29 & 79
11	GND	32 & 82
12	GND	35 & 85
13	GND	38 & 88
14	GND	41 & 91
15	GND	44 & 94
16	GND	47 & 97

NOTES:

- 8mm MIN CARD EJECT.
- EJECT TRAVEL: 9.5mm
- MATERIAL:
 - 3.1 HEADER ASSY:
 PLASTIC HOUSING: HIGH TEMPERATURE THERMOPLASTIC UL94V-0 BLACK - ABOVE PCB
 HIGH TEMPERATURE THERMOPLASTIC UL94V-0 BLACK - BELOW PCB
 PIN: PHOSPHOR BRONZE
 PCB: FR4
 - 3.2 EJECT MECHANISM ASSY:
 PLASTIC GUIDE: HIGH TEMPERATURE THERMOPLASTIC UL94V-0 BLACK
 PLASTIC PUSH-ROD BUTTON: HIGH TEMPERATURE THERMOPLASTIC UL94V-0 BLACK
 COVER PLATE, LINK ARM,
 PUSH ROD: STAINLESS STEEL
 EMI CONTACT: PHOSPHOR BRONZE
 - 3.3 .8 BTB RECEPTACLE: 73277-101000
 PLASTIC: HIGH TEMPERATURE THERMOPLASTIC UL94V-0 BLACK
 CONTACT: BeCu
- FINISH (PIN)
 UNDER PLATING: 0.5um MIN Ni
 CONTACT AREA: 0.076 μm MIN. GOLD

 SOLDER TAIL(TIN LEAD OPTION): 2.5umMIN Sn-Pb
 SOLDER TAIL(LEAD FREE OPTION): 2.5umMIN PURE TIN
- DIM "X"

4.25±0.1	3.5±0.1	5.0±0.1
OTHERS	36,67	1,17,34,35,51,68
- RECOMMENDED SCREW TORQUE: 1.0 TO 1.5 MAX in-lbs. (1.2-1.7 cm-kgs).
 RECOMMENDED HOLD-DOWN 2mm SCREWS (95121) AND HEX NUTS (92869-001).
- GS-14-920 SPEC. SHOULD BE APPLIED LEAD FREE P/N.
- IF LEAD FREE P/N.THE HOUSING WILL WITHSTAND EXPOSURE TO 260°C PEAK TEMPERATURE FOR 10 SECONDS IN A WAVE SOLDER APPLICATION WITH A 1.00MM MINIMUM THICK CIRCUIT BOARD.
- IF LEAD FREE P/N.THE PRODUCT MEETS EUROPEAN UNION DIRECTIVES AND OTHER COUNTRY REGULATIONS AS DISCRIBLED IN GS-22-008
- PRODUCT SPEC:110-263

mat'l. code		surface ISO 1302		tolerance ISO 406 ISO 1101		projection		product family	
ltr		ecn		no		dr		date	
S									
		angles		tolerances unless otherwise specified		linear		title	
		±2'				.XX±.13		CARDBUS SINGLE DECK	
						.XXX±.051		ASSY SMT TYPE 123	
		dr		R.GRAPE		7/3/96		dwg no	
		engr		D.BRANN		7/3/96		sheet 1 of 1	
		chr		D.BRANN		7/3/96		71299	
		appd		D.BRANN		7/3/96		A4	
								type CUSTOMER	
								Drawing	
sheet index		revision sheet							