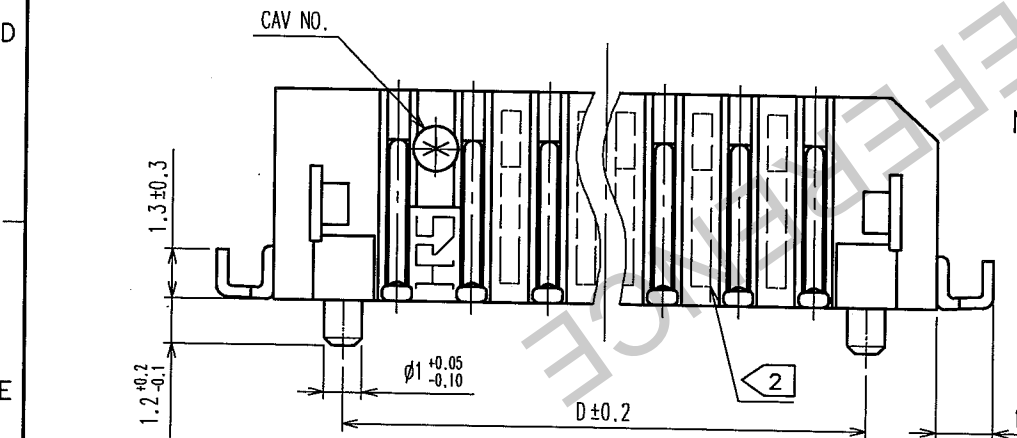
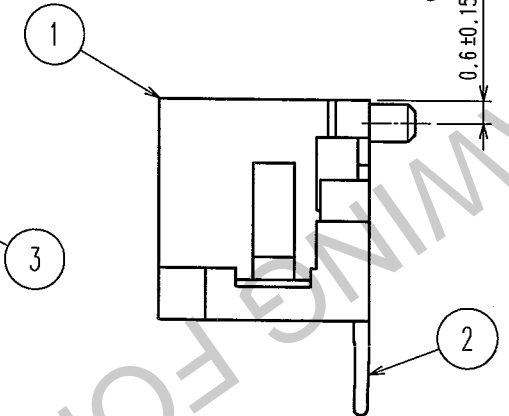
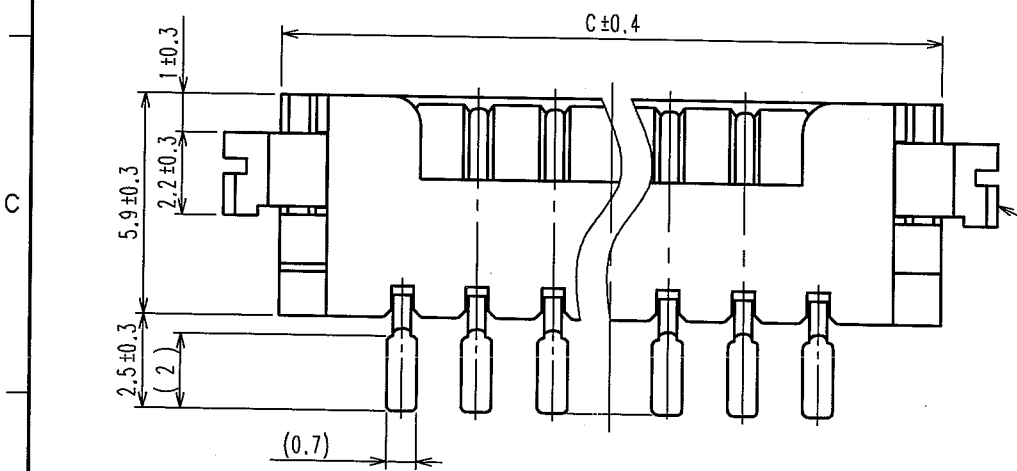
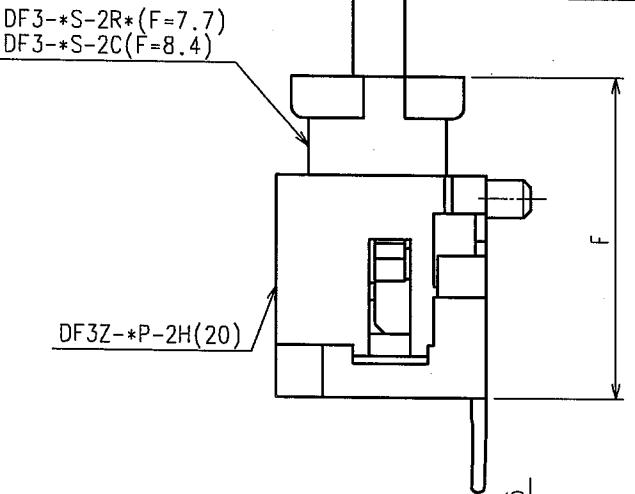
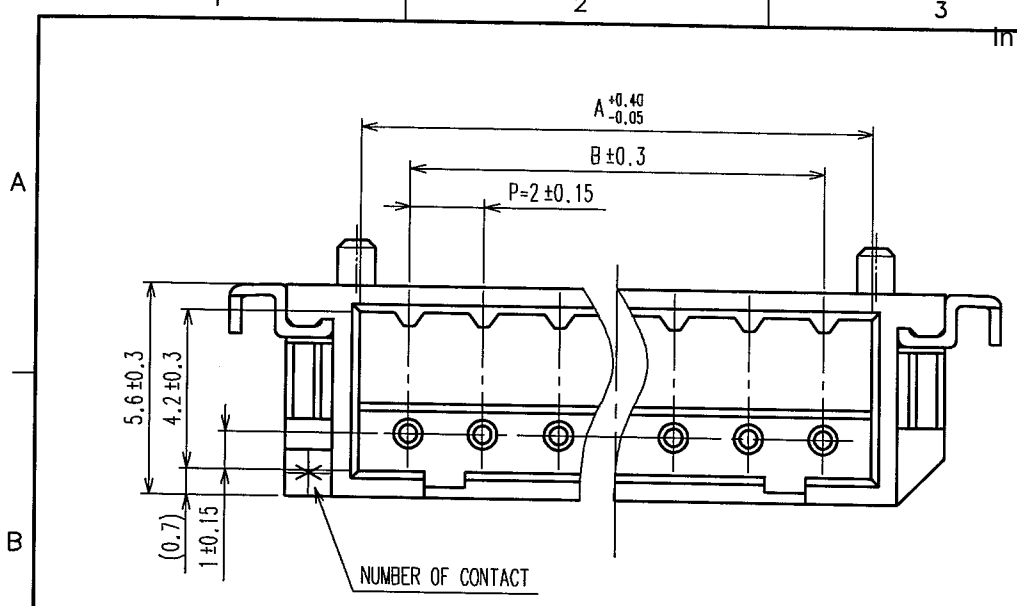
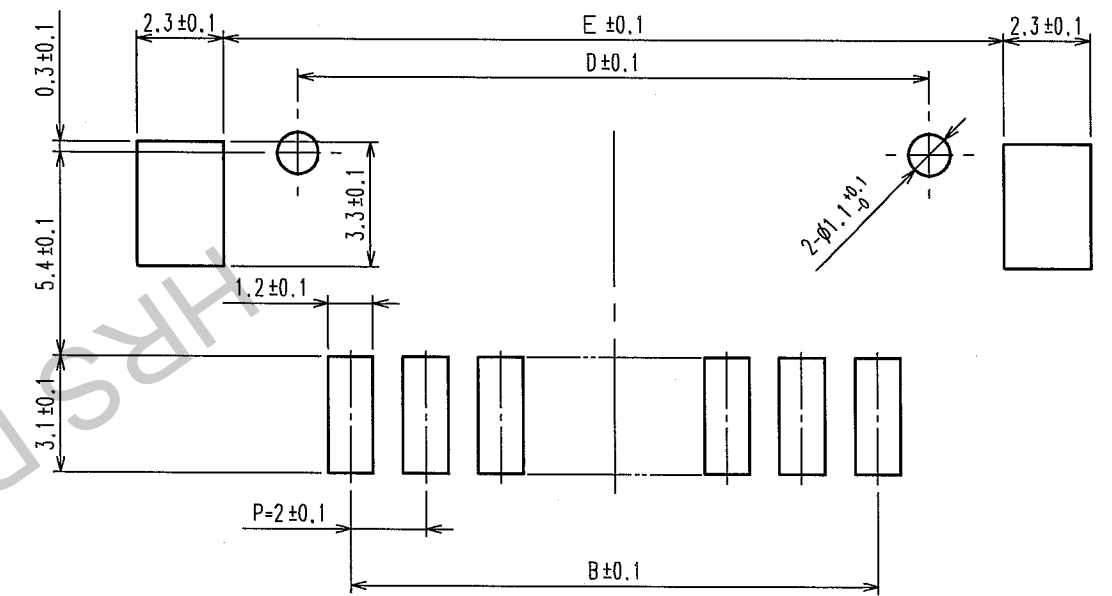


In case that the application demands a high level of reliability, such as automotive, please contact a company representative for further information.

MATED CONNECTORS

NO.	DESCRIPTION OF REVISIONS	BY	CHKD	DATE	COUNT	DESCRIPTION OF REVISIONS	BY	CHKD	DATE
2	RE-H-06617	I.D	T.M	04.11.27					

RECOMMENDED PATTERN



NOTES
 1. LEAD CO-PLANARITY INCLUDE REINFORCED METAL FITTINGS SHALL BE 0.1mm MAX.
 2. WHEN THE NUMBER OF CONTACT IS 2 TO 10, THIS PART IS FREE FROM SINKAGE INDICATING DOTTED LINES. WHEN THE NUMBER OF CONTACT IS 11 TO 15, THERE ARE SINKAGES INDICATING DOTTED LINES.

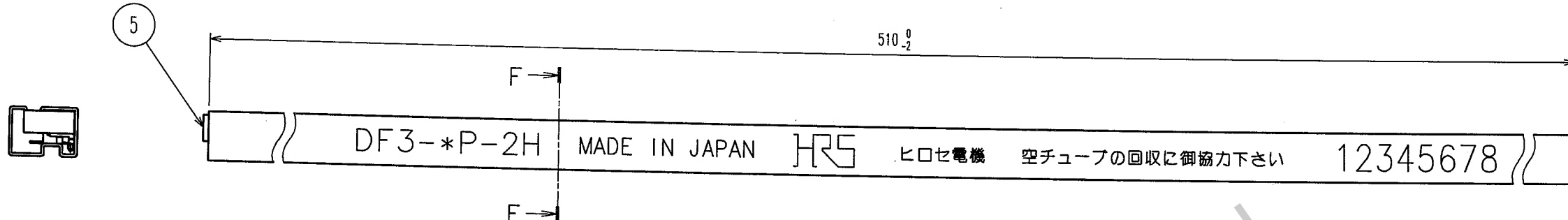
PART NO.	CODE NO.	A	B	C	D	E
DF3Z- 2P-2H(20)	543-1042-5-20	4.6	2.0	8.5	4.8	8.74
DF3Z- 3P-2H(20)	543-1043-8-20	6.6	4.0	10.5	6.8	10.74
DF3Z- 4P-2H(20)	543-1044-0-20	8.6	6.0	12.5	8.8	12.74
DF3Z- 5P-2H(20)	543-1045-3-20	10.6	8.0	14.5	10.8	14.74
DF3Z- 6P-2H(20)	543-1046-6-20	12.6	10.0	16.5	12.8	16.74
DF3Z- 7P-2H(20)	543-1047-9-20	14.6	12.0	18.5	14.8	18.74
DF3Z- 8P-2H(20)	543-1048-1-20	16.6	14.0	20.5	16.8	20.74
DF3Z- 9P-2H(20)	543-1049-4-20	18.6	16.0	22.5	18.8	22.74
DF3Z-10P-2H(20)	543-1050-3-20	20.6	18.0	24.5	20.8	24.74
DF3Z-12P-2H(20)	543-1052-9-20	24.6	22.0	28.5	24.8	28.74
DF3Z-13P-2H(20)	543-1053-1-20	26.6	24.0	30.5	26.8	30.74
DF3Z-14P-2H(20)	543-1054-4-20	28.6	26.0	32.5	28.8	32.74
DF3Z-15P-2H(20)	543-1055-7-20	30.6	28.0	34.5	30.8	34.74

2	BRASS	SURFACE:TIN PLATED 1μm min (UNDER PLATING)COPPER PLATED 0.5μm min	5	S.PVC	STOPPER, GRAY
1	POLYAMIDE	BEIGE(NATURAL), UL94-O	4	RIGID POLYVINYLCHLORIDE	ELECTROSTATIC PROTECTION, CLEAR
			3	BRASS	SURFACE:TIN PLATED 1μm min (UNDER PLATING)NICKEL PLATED 1μm min
NO.	MATERIAL	FINISH, REMARKS	NO.	MATERIAL	FINISH, REMARKS
CODE NO.(OLD) CL		DRAWN M.Nakamoto '04.03.25	DESIGNED H.Umehara '04.03.25	CHECKED T.Miyazaki '04.03.25	APPROVED T.Oma '04.03.25
DRAWING NO. EDC3-305940-10		PART NO. DF3Z-*P-2H(20)		CODE NO. CL543-	
SCALE 5 : 1		UNITS mm		HRS HIROSE ELECTRIC CO., LTD	

TO

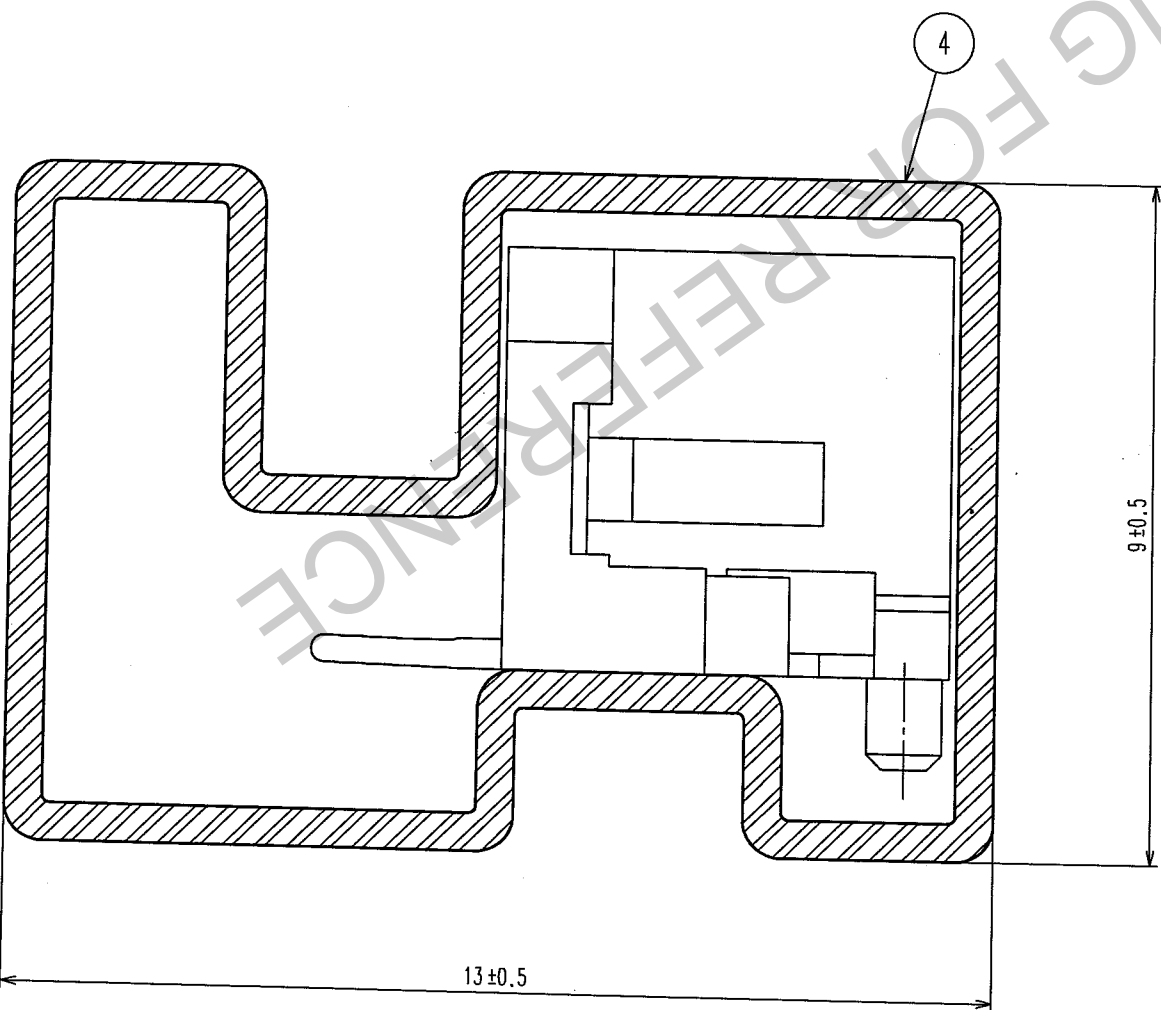
In case that the application demands a high level of reliability, such as automotive, please contact a company representative for further information.

NO.	DESCRIPTION OF REVISIONS	BY	CHKD	DATE	COUNT	DESCRIPTION OF REVISIONS	BY	CHKD	DATE
△					△				△
△					△				△
△					△				△



NOTES
 3. NUMBER OF CONNECTERS PER A MAGAZINE CASE SHALL BE IN ACCORDANCE WITH THE LIST.
 4. THESE CONNECTERS SHALL BE ON SALED IN ACCORDANCE WITH THE MULTIPLE QUANTITY ON THE LIST.

F-F (10:1)



CODE NO.	PART NO.	NUMBER OF CONNECTORS
543-1042-5-20	DF3Z- 2P-2H(20)	41
543-1043-8-20	DF3Z- 3P-2H(20)	34
543-1044-0-20	DF3Z- 4P-2H(20)	30
543-1045-3-20	DF3Z- 5P-2H(20)	26
543-1046-6-20	DF3Z- 6P-2H(20)	23
543-1047-9-20	DF3Z- 7P-2H(20)	21
543-1048-1-20	DF3Z- 8P-2H(20)	19
543-1049-4-20	DF3Z- 9P-2H(20)	18
543-1050-3-20	DF3Z-10P-2H(20)	17
543-1051-6-20	DF3Z-11P-2H(20)	15
543-1052-9-20	DF3Z-12P-2H(20)	14
543-1053-1-20	DF3Z-13P-2H(20)	14
543-1054-4-20	DF3Z-14P-2H(20)	13
543-1055-7-20	DF3Z-15P-2H(20)	12

NO.	MATERIAL	FINISH, REMARKS	NO.	MATERIAL	FINISH, REMARKS		
CODE NO. (OLD)	CL		DRAWN	DESIGNED	CHECKED	APPROVED	RELEASED
			M.Nakamoto	H.Umehara	T.Miyazaki	T.Oma	
			'04.03.25	'04.03.25	'04.03.25	'04.03.25	
DRAWING NO. EDC3-305940-10			PART NO. DF3Z-*P-2V(20)				
SCALE FR:EE			CODE NO. CL543-				
UNITS mm			HRS HIROSE ELECTRIC CO., LTD				

TO

NC