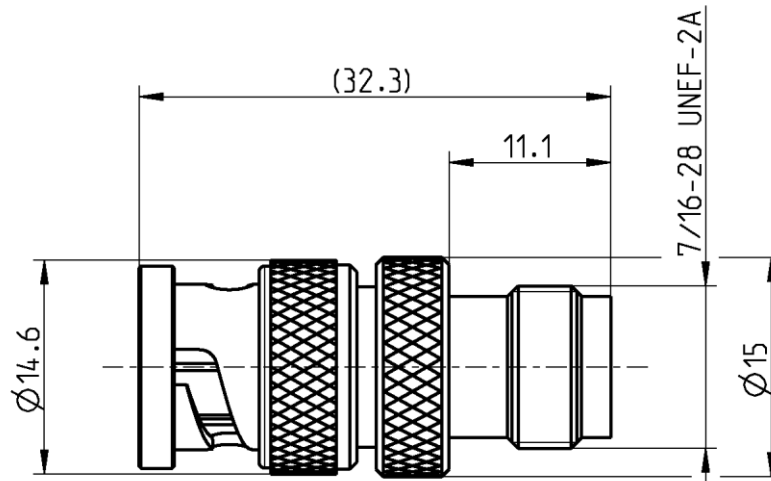


BNC 50 Ω Adaptor  
 BNC 50 Ω Plug –  
 TNC 50 Ω Jack

**51S156-K00N5**



All dimensions are in mm; tolerances according to ISO 2768 m-H

**Interface**

|              |           |  |
|--------------|-----------|--|
| According to | BNC side: | DIN EN 61169-8                             |
|              | TNC side: | IEC 60169-17, MIL-PRF-39012, DIN EN 122200 |

**Documents**

N/A

**Material and plating**

**Connector parts**

Center contact BNC and TNC side  
 Outer contact BNC and TNC side  
 Body  
 Dielectric  
 Gasket

**Material**

CuBe  
 Brass  
 Brass  
 PTFE  
 NeopreneCR 50C6

**Plating**

AuroDur®, gold plated  
 Flash white bronze over silver(e.g. Optargen®)  
 Flash white bronze over silver(e.g. Optargen®)

Dieses Dokument ist urheberrechtlich geschützt • This document is protected by copyright • Rosenberger Hochfrequenztechnik GmbH & Co. KG

RFB00035/12.20/6.4

# Technical Data Sheet

# Rosenberger

BNC 50 Ω Adaptor  
BNC 50 Ω Plug –  
TNC 50 Ω Jack

## 51S156-K00N5

### Electrical data

|  |  |
|--|--|
| Impedance                                      | 50 Ω   |
| Frequency                                      | DC to 10 GHz   |
| Return loss                                    | ≥ 35 dB, DC to 1 GHz<br>≥ 30 dB, 1 to 2.5 GHz<br>≥ 20 dB, 2.5 to 4 GHz |
| Insertion loss                                 | ≤ 0.05 x √f [GHz] dB, DC to 4 GHz                                      |
| Insulation resistance                          | ≥ 5 x10 <sup>3</sup> MΩ  |
| Center contact resistance                      | ≤ 1.5 mΩ, BNC and TNC side   |
| Outer contact resistance                       | ≤ 1 mΩ, BNC and TNC side   |
| Test voltage                                   | 1500 V rms   |
| Working voltage                                | 400 V rms  |
| Power handling (at 20 °C, sea level, VSWR 1.0) | ≤ 80 W @ 2 GHz   |

### Mechanical data

|                                   |          |                    |
|-----------------------------------|----------|--------------------|
|                                   | BNC side | TNC side           |
| Mating cycles                     | min. 500 | min. 500           |
| Center contact captivation: axial | ≥ 15 N   | ≥ 15 N             |
| Coupling test torque              | N/A      | max. 1.7 Nm        |
| Recommended torque                | N/A      | 0.46 Nm to 0.69 Nm |

### Environmental data

|                     |                                 |
|---------------------|---------------------------------|
| Temperature range   | -55°C to +155°C                 |
| Thermal shock       | MIL-STD-202, Meth. 107, Cond. B |
| Corrosion           | MIL-STD-202, Meth. 101, Cond. B |
| Vibration           | MIL-STD-202, Meth. 204, Cond. B |
| Shock               | MIL-STD-202, Meth. 213, Cond. G |
| Moisture resistance | MIL-STD-202, Meth. 106          |
| RoHS                | compliant                       |

### Tooling

N/A

### Suitable cables

N/A

### Weight

Weight 19.2 g/pce

While the information has been carefully compiled to the best of our knowledge, nothing is intended as representation or warranty on our part and no statement herein shall be construed as recommendation to infringe existing patents. In the effort to improve our products, we reserve the right to make changes judged to be necessary.

For the installation of the electrotechnical equipment, particular electrotechnical expertise is required.



|  |          |             |          |  |                           |                |               |
|--|----------|-------------|----------|--|---------------------------|----------------|---------------|
| Draft  | Date     | Approved    | Date     | Rev.   | Engineering change number | Name           | Date          |
| Chr. Entsfellner   | 17.07.08 | Chr. Janßen | 21.12.20 | f00  | 20-1927                   | S. Huber-Siegl | 21.12.20      |
| Rosenberger Hochfrequenztechnik GmbH & Co. KG<br>P.O.Box 1260 D-84526 Tittmoning Germany<br><a href="http://www.rosenberger.com">www.rosenberger.com</a> |          |             |          | Tel. : +49 8684 18-0<br>Email : <a href="mailto:info@rosenberger.com">info@rosenberger.com</a> |                           |                | Page<br>2 / 2 |