

# Multi-Footprint Single Op Amp Prototyping Boards

## DESCRIPTION

The DC417B demo board set gives maximum flexibility for prototyping single op amp circuits. This demo manual lists which components to use for common op amp circuits and an example is given for a standard pinout single op amp circuit.

**Design files for this circuit board are available at <http://www.linear.com/demo>**

LT, LT, LTC, LTM, Linear Technology and the Linear logo are registered trademarks of Linear Technology Corporation. All other trademarks are the property of their respective owners.

---

## OPERATING PRINCIPLES

The DC417B demo board comes as a two board set; one board for DIP8, S8, DFN8, and MS8 packages and the other board for SOT23-5 and SOT23-6 packages. Each board is laid out such that most of the general op amp circuits can be easily built. Both boards have decoupling cap positions included.

Component positions are included for common circuit configurations. Take your schematic and identify component positions on the board which correspond to the components in the schematic. Air-wire other components as needed, taking advantage of the exposed ground planes

as desired. Terminal posts at the sides of both boards give easy access to power, ground, inputs, and outputs. Access is provided to all IC pins. Pins 1, 5, and 8 are brought out to terminals for easy access on the DIP8, S8, DFN8, and MS8 board. Pin 5 is brought out to a terminal on the SOT23-5 and SOT23-6 board. These pins are typically used for offset adjustment, trimming VOS, or shutdown. The layout includes positions for BNC connectors for both inputs and outputs. Although component pads are marked as C for capacitors and R for resistors, any component that fits any footprint can be placed on the board.

## CIRCUIT EXAMPLE

To build a noninverting amp using the DIP8/S8/MS8/DFN8 board use the R3 component position for the feedback resistor and R11 for the gain set resistor. C6 and C2 are the decoupling caps located close to the IC package and C3 and C5 the bulk decoupling caps located next to the power input terminals at the edge of the board. Jumper wires or 0Ω resistors would be used for the R8 component position on the input path to use the BNC connector J3, or R8 and R13 to use input terminal TP11 and at R7 on the output path to use BNC J2 or output terminal TP9 for connection input and output signals.

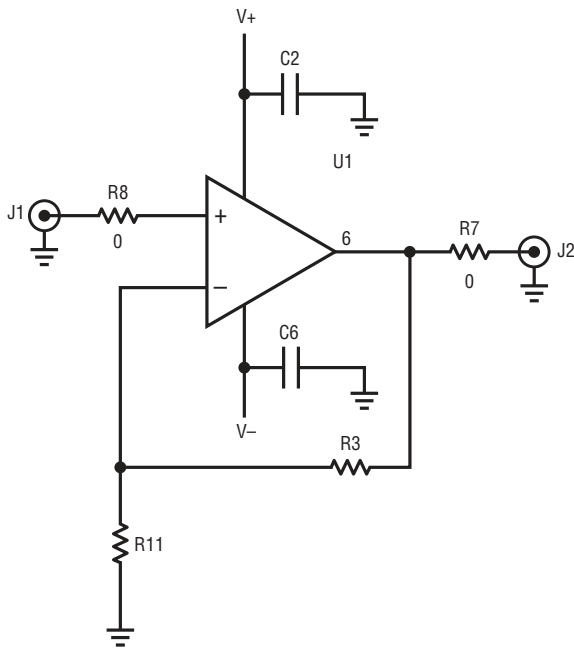
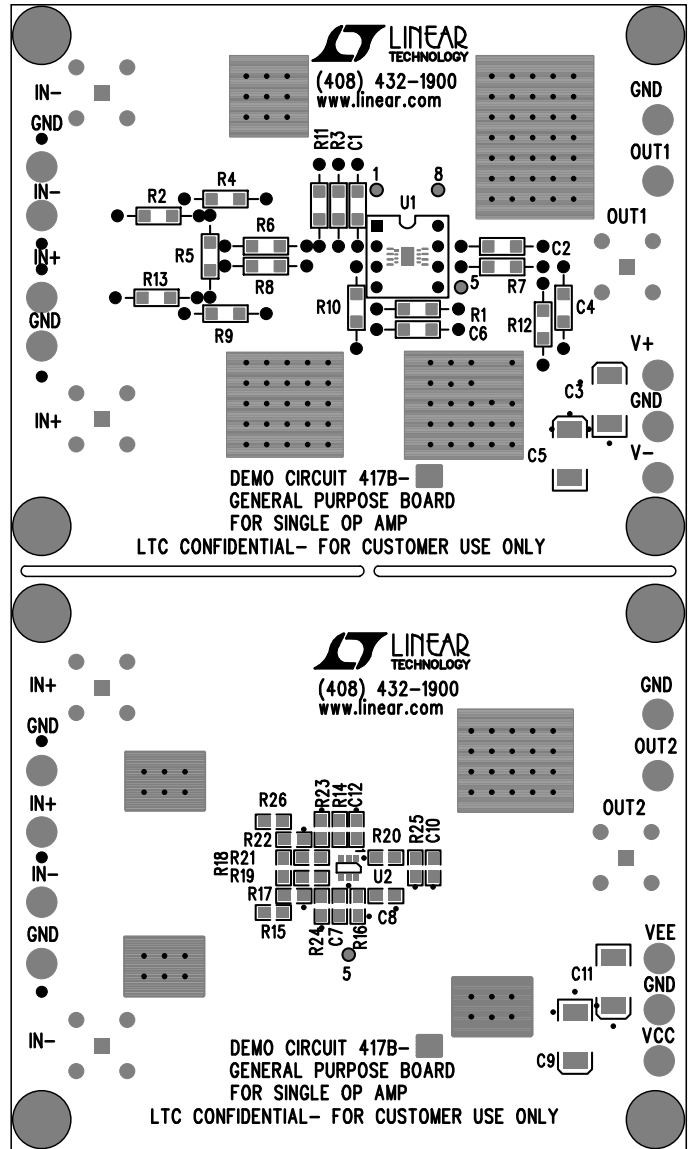
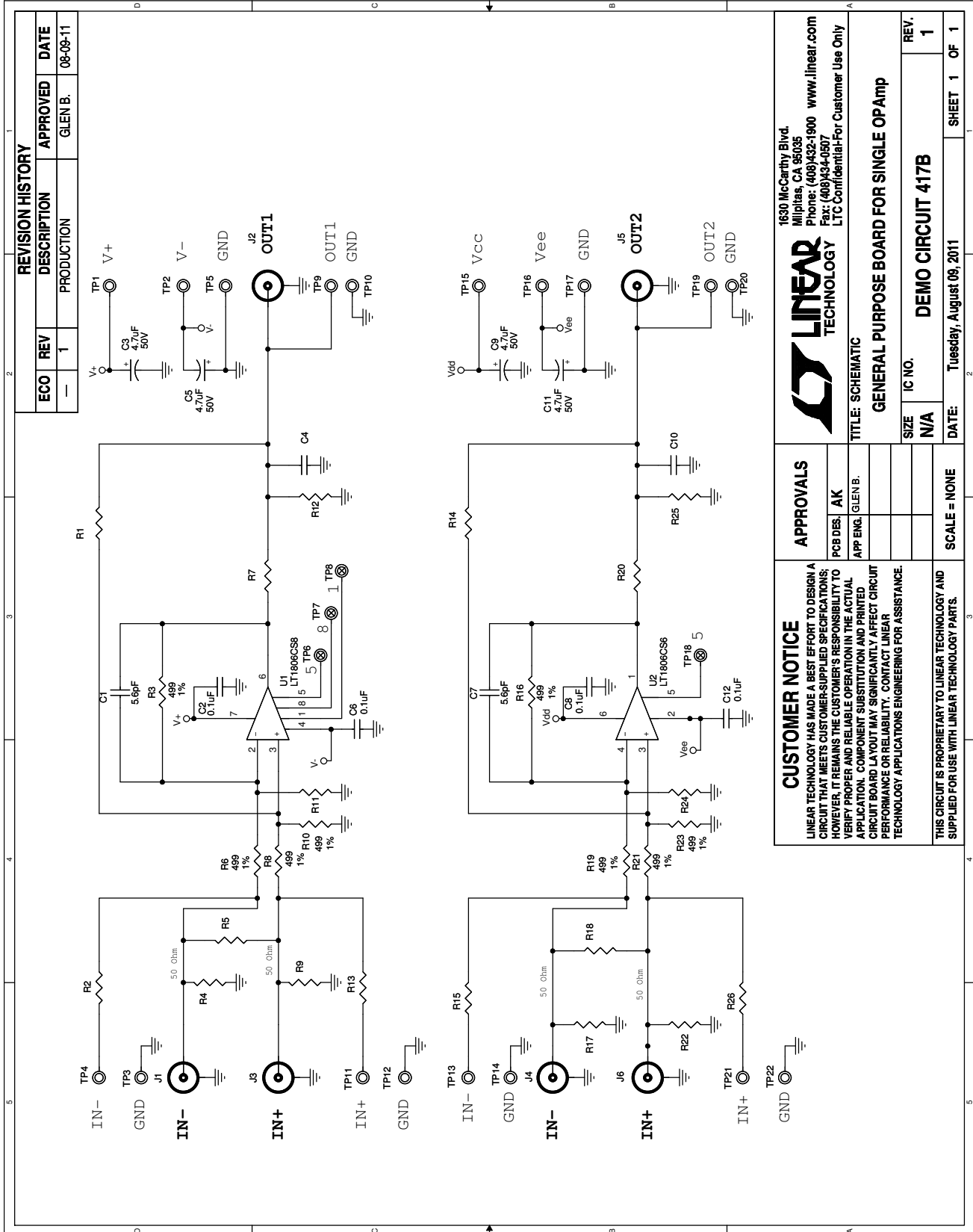


Figure 1. Example Circuit



**SCHEMATIC DIAGRAM**



REVISION HISTORY				
ECO	REV	DESCRIPTION	APPROVED	DATE
—	1	PRODUCTION	GLEN B.	08-09-11

**LINEAR TECHNOLOGY**

1630 McCarthy Blvd.  
Milpitas, CA 95035  
Phone: (408)432-1900 www.linear.com  
Fax: (408)434-0507  
LTC Confidential-For Customer Use Only

TITLE: SCHEMATIC

GENERAL PURPOSE BOARD FOR SINGLE OP AMP

SIZE	IC NO.	REV.
N/A	DEMO CIRCUIT 417B	1

DATE: Tuesday, August 09, 2011

SHEET 1 OF 1

**APPROVALS**

PCB DES.	AK
APP ENG.	GLEN B.

SCALE = NONE

**CUSTOMER NOTICE**

LINEAR TECHNOLOGY HAS MADE A BEST EFFORT TO DESIGN A CIRCUIT THAT MEETS CUSTOMER-SUPPLIED SPECIFICATIONS. HOWEVER, IT REMAINS THE CUSTOMER'S RESPONSIBILITY TO VERIFY PROPER AND RELIABLE OPERATION IN THE ACTUAL APPLICATION. COMPONENT SUBSTITUTION AND PRINTED CIRCUIT BOARD LAYOUT MAY SIGNIFICANTLY AFFECT CIRCUIT PERFORMANCE OR RELIABILITY. CONTACT LINEAR TECHNOLOGY APPLICATIONS ENGINEERING FOR ASSISTANCE.

THIS CIRCUIT IS PROPRIETARY TO LINEAR TECHNOLOGY AND SUPPLIED FOR USE WITH LINEAR TECHNOLOGY PARTS.

# DEMO MANUAL DC417B

---

## DEMONSTRATION BOARD IMPORTANT NOTICE

Linear Technology Corporation (LTC) provides the enclosed product(s) under the following **AS IS** conditions:

This demonstration board (DEMO BOARD) kit being sold or provided by Linear Technology is intended for use for **ENGINEERING DEVELOPMENT OR EVALUATION PURPOSES ONLY** and is not provided by LTC for commercial use. As such, the DEMO BOARD herein may not be complete in terms of required design-, marketing-, and/or manufacturing-related protective considerations, including but not limited to product safety measures typically found in finished commercial goods. As a prototype, this product does not fall within the scope of the European Union directive on electromagnetic compatibility and therefore may or may not meet the technical requirements of the directive, or other regulations.

If this evaluation kit does not meet the specifications recited in the DEMO BOARD manual the kit may be returned within 30 days from the date of delivery for a full refund. **THE FOREGOING WARRANTY IS THE EXCLUSIVE WARRANTY MADE BY THE SELLER TO BUYER AND IS IN LIEU OF ALL OTHER WARRANTIES, EXPRESSED, IMPLIED, OR STATUTORY, INCLUDING ANY WARRANTY OF MERCHANTABILITY OR FITNESS FOR ANY PARTICULAR PURPOSE. EXCEPT TO THE EXTENT OF THIS INDEMNITY, NEITHER PARTY SHALL BE LIABLE TO THE OTHER FOR ANY INDIRECT, SPECIAL, INCIDENTAL, OR CONSEQUENTIAL DAMAGES.**

The user assumes all responsibility and liability for proper and safe handling of the goods. Further, the user releases LTC from all claims arising from the handling or use of the goods. Due to the open construction of the product, it is the user's responsibility to take any and all appropriate precautions with regard to electrostatic discharge. Also be aware that the products herein may not be regulatory compliant or agency certified (FCC, UL, CE, etc.).

No License is granted under any patent right or other intellectual property whatsoever. **LTC assumes no liability for applications assistance, customer product design, software performance, or infringement of patents or any other intellectual property rights of any kind.**

LTC currently services a variety of customers for products around the world, and therefore this transaction **is not exclusive**.

**Please read the DEMO BOARD manual prior to handling the product.** Persons handling this product must have electronics training and observe good laboratory practice standards. **Common sense is encouraged.**

This notice contains important safety information about temperatures and voltages. For further safety concerns, please contact a LTC application engineer.

Mailing Address:

Linear Technology  
1630 McCarthy Blvd.  
Milpitas, CA 95035

Copyright © 2004, Linear Technology Corporation