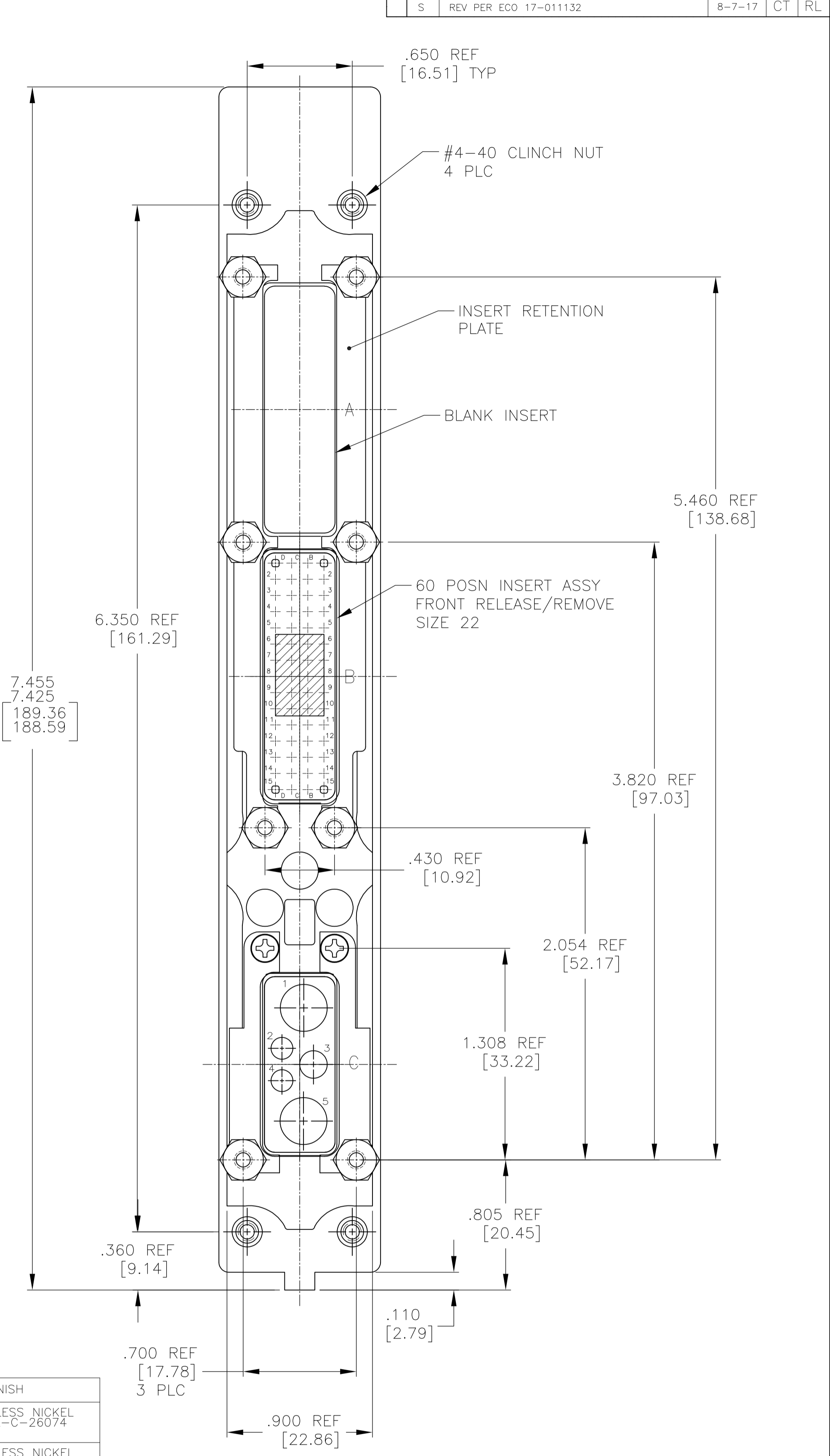
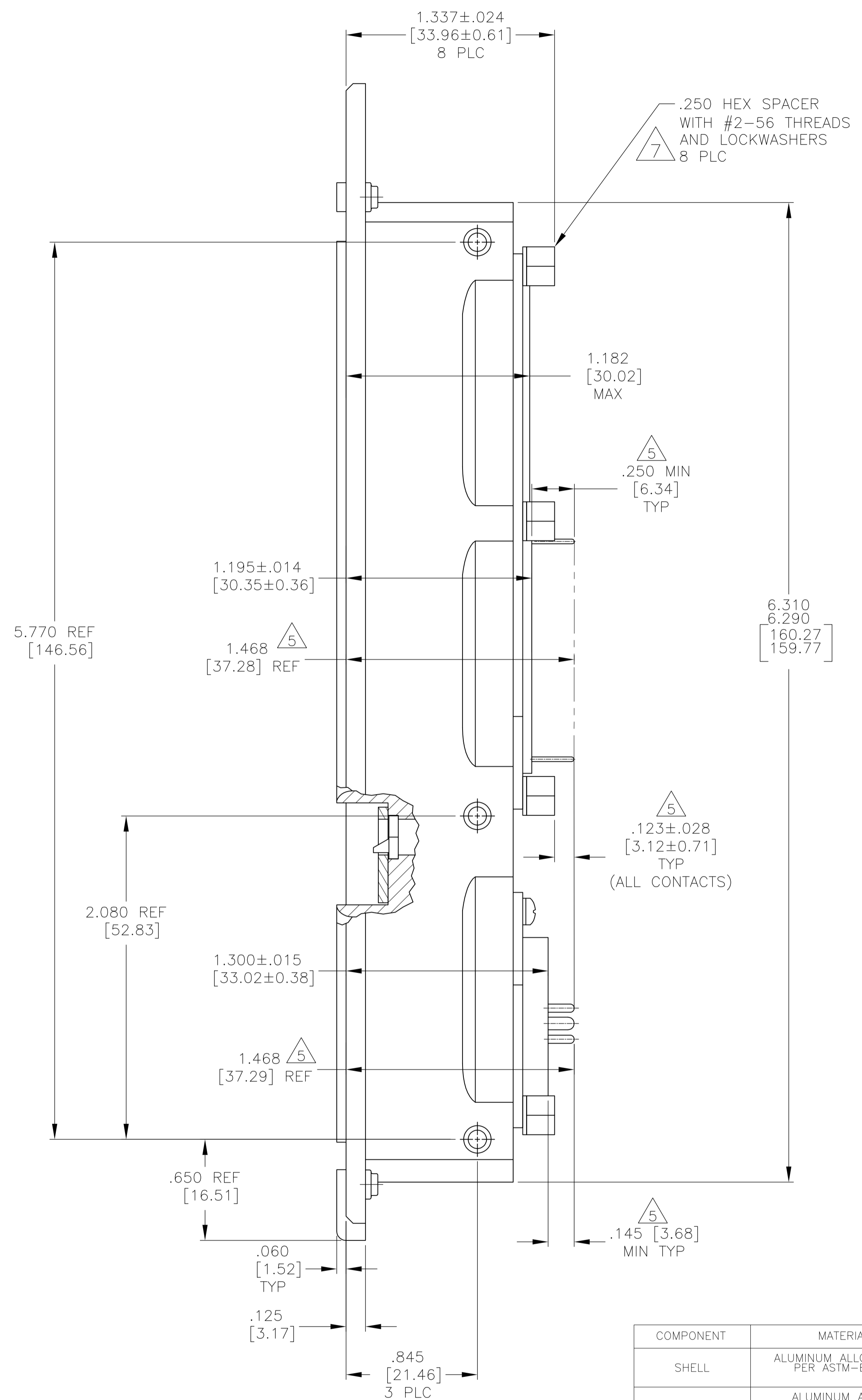
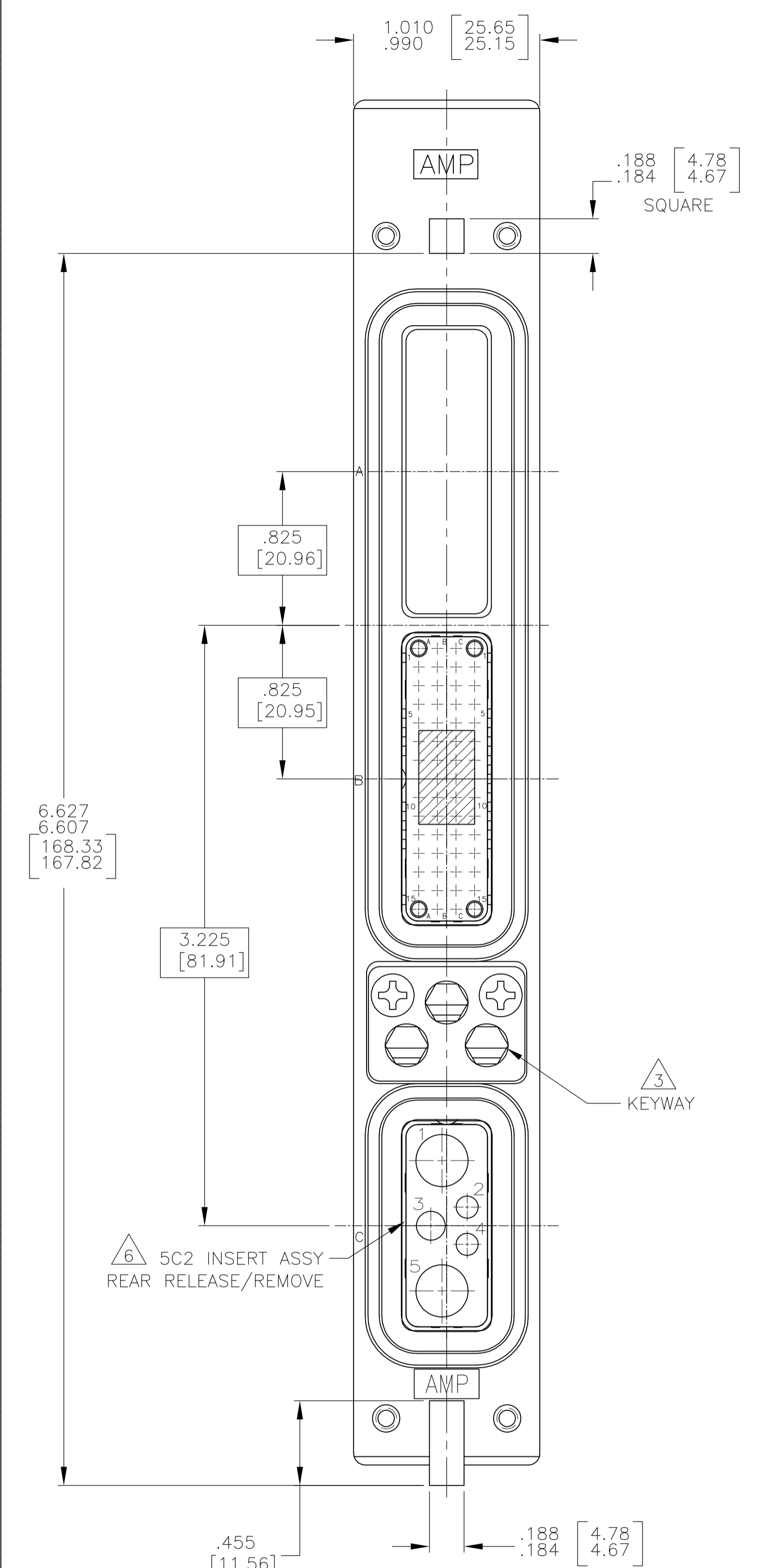


REVISIONS				
P	LTR	DESCRIPTION	DATE	APP'D
S	REV PER ECO	17-011132	8-7-17	CT RL



- CONNECTOR DIMENSIONS ARE PER ARINC 600 SPECIFICATION
- CONTACTS NOT SHOWN IN FRONT & REAR VIEWS FOR CLARITY.
- KEYING SHOWN IN POSITION FOR REFERENCE ONLY. SEE TABLE FOR KEYING POSITION. FOR POSITION "00" KEYING SHIPPED UNASSEMBLED.
- INSTALLED CONTACT LOCATIONS:
 CAVITY B: SIZE 22 POSTED QTY=60 (P/N 211431-4) (-1 ONLY)
 CAVITY C: SIZE 16 POSTED; QTY=2; POSITIONS 2 & 4; (P/N 1-1663128-0) (-1 ONLY)
 SIZE 12 POSTED; QTY=1; POSITION 3; (P/N 1663129-8) (-1 ONLY)
 CAVITY B: SIZE 22 POSTED QTY=60 (P/N 211431-6) (-2 & -4 ONLY)
 CAVITY C: SIZE 16 POSTED; QTY=2; POSITIONS 2 & 4; (P/N 1663128-5) (-2 & -4 ONLY)
 SIZE 12 POSTED; QTY=1; POSITION 3; (P/N 1663129-5) (-2 & -4 ONLY)
 SIZE 5 POSTED; QTY=2; POSITIONS 1 & 5; (P/N 1663535-1) (-2 & -4 ONLY) (FREELY ROTATES)

- 5 DIMENSION APPLIES WITH CONTACTS FULLY SEATED TO REAR OF CONTACT CAVITIES.
- 6 SIZE 5 CAVITIES ARE GROUNDED TO SHELL.
- 7 FASTENER TORQUE TO BE 1.5-2.0 in-lb.
- 8 FASTENER TORQUE TO BE 2.5-3.0 in-lb.

1757625-1
AS SHOWN

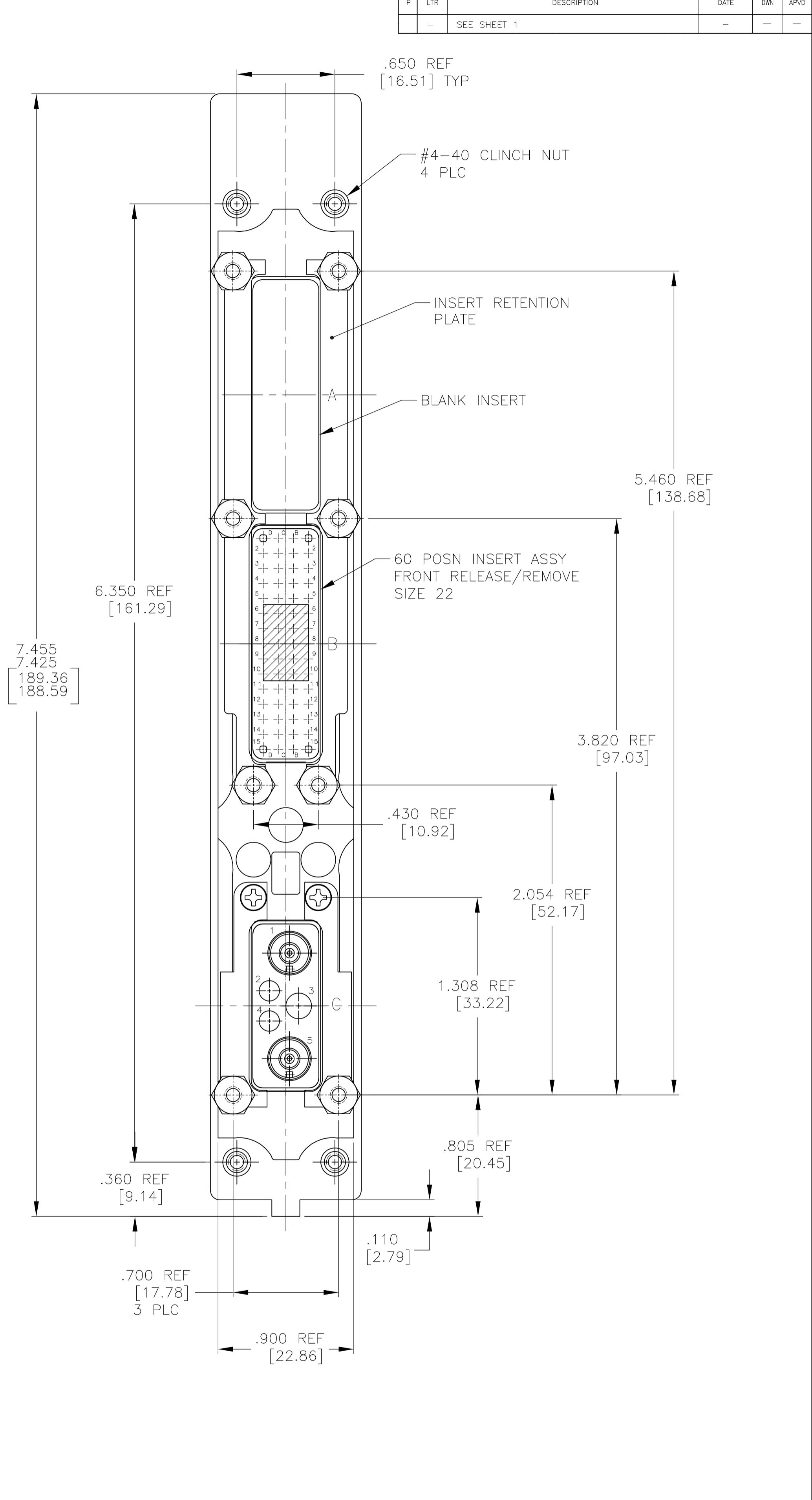
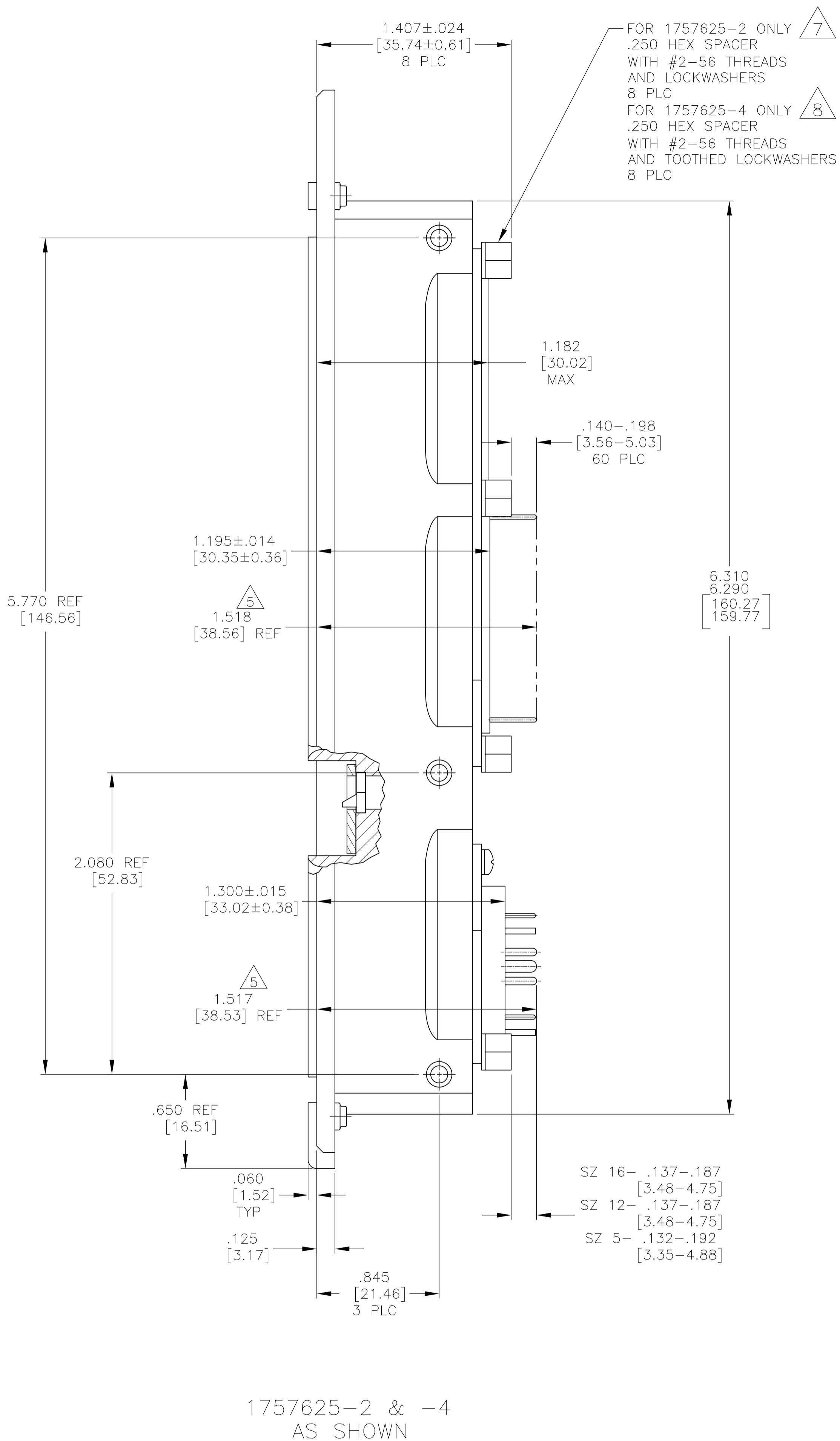
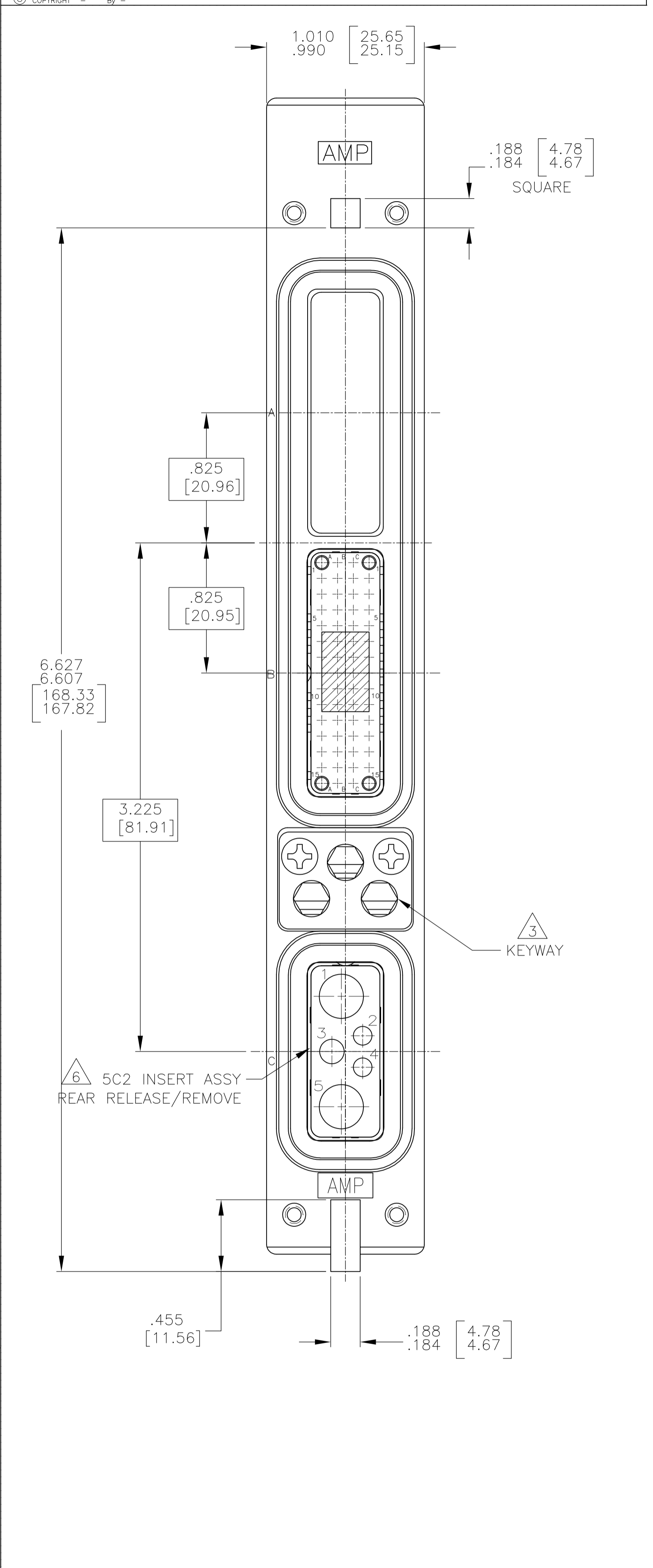
COMPONENT	MATERIAL	FINISH
SHELL	ALUMINUM ALLOY A380 PER ASTM-B-85	ELECTROLESS NICKEL PER MIL-C-26074
RETENTION PLATES	ALUMINUM ALLOY PER ASTM-B-209	ELECTROLESS NICKEL PER MIL-C-26074
PAN HEAD SCREWS AND LOCKWASHERS	STAINLESS STEEL	PASSIVATED
FLAT HEAD SCREWS (FOR KEYING HARDWARE)	STAINLESS STEEL	PASSIVATED
POLARIZING KEYS	ZINC ALLOY PER ASTM-B-86	-
POLARIZING KEY RETAINING PLATE	ALUMINUM ALLOY PER ASTM-B-209	BLUE ANODIZED PER MIL-A-8625
BLANK INSERT	TEFLON	-
60 & 5C2 INSERTS	THERMOSET	-
STANDOFF	STAINLESS STEEL	PASSIVATED

THIS DRAWING IS A CONTROLLED DOCUMENT.

DIMENSIONS: INCHES [mm]	TOLERANCES UNLESS OTHERWISE SPECIFIED:
0 PLC ± .005 [0.13]	± .005 [0.13]
1 PLC ± .005 [0.13]	± .005 [0.13]
2 PLC ± .005 [0.13]	± .005 [0.13]
3 PLC ± .005 [0.13]	± .005 [0.13]
4 PLC ± .005 [0.13]	± .005 [0.13]
ANGLES	± .005 [0.13]

SEE SHEET #2	"02"	1757625-4
SEE SHEET #2	"136"	1757625-2
SEE SHEET #1	"02"	1757625-1
VIEW	KEYING POSITION	PART NUMBER
THIS DRAWING IS A CONTROLLED DOCUMENT.		
DIMENSIONS: INCHES [mm]		TOLERANCES UNLESS OTHERWISE SPECIFIED:
0 PLC ± .005 [0.13]		± .005 [0.13]
1 PLC ± .005 [0.13]		± .005 [0.13]
2 PLC ± .005 [0.13]		± .005 [0.13]
3 PLC ± .005 [0.13]		± .005 [0.13]
4 PLC ± .005 [0.13]		± .005 [0.13]
ANGLES ± .005 [0.13]		± .005 [0.13]
MATERIAL: SEE TABLE FINISH: SEE TABLE		
DWG: C.C.THOMAS 1-4-05 CHK: K.HOGAN 1-4-05 APP'D: K.HOGAN 1-4-05 PRODUCT SPEC: RCPT ASSY, SIZE 1, ARINC 600 (BLANK/60/5C2)		NAME: RCPT ASSY, SIZE 1, ARINC 600 (BLANK/60/5C2)
APPLICATION SPEC: RCPT ASSY, SIZE 1, ARINC 600 (BLANK/60/5C2)		SIZE: A1 CASE CODE: 00779 DRAWING NO: 1757625
WEIGHT: 0		RESTRICTED TO:
CUSTOMER DRAWING SCALE: 2:1 SHEET: 1 OF 3 REV: S		

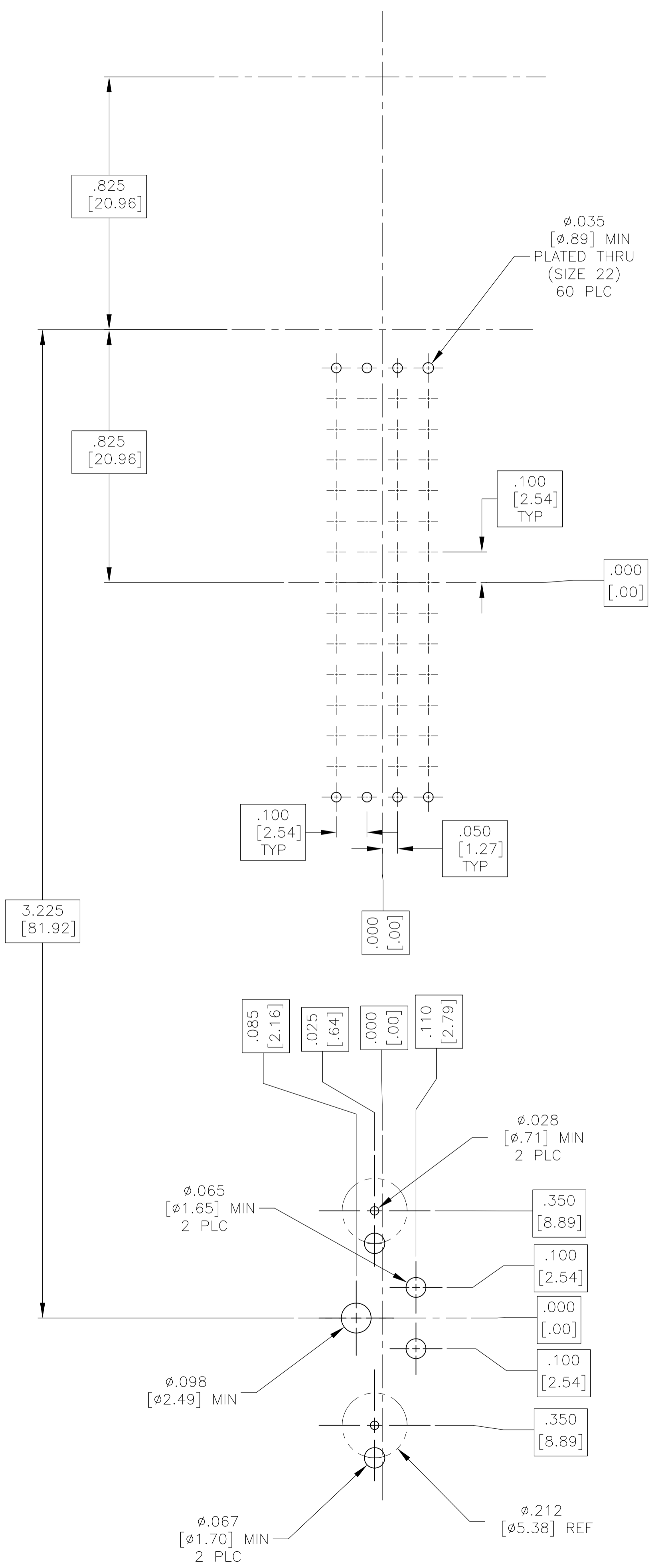
REVISIONS				
REV	DATE	BY	APPV	DESCRIPTION
1	1-4-05	C.C. THOMAS		RCPT ASSY, SIZE 1, ARINC 600 (BLANK/60/5C2)
2	1-4-05	K. HOGAN		RCPT ASSY, SIZE 1, ARINC 600 (BLANK/60/5C2)
3	1-4-05	K. HOGAN		RCPT ASSY, SIZE 1, ARINC 600 (BLANK/60/5C2)



1757625-2 & -4 AS SHOWN

THIS DRAWING IS A CONTROLLED DOCUMENT.		DWG: C.C. THOMAS 1-4-05	TE Connectivity
DIMENSIONS: INCHES [mm]		CHK: K. HOGAN 1-4-05	
TOLERANCES UNLESS OTHERWISE SPECIFIED:		APPV: K. HOGAN 1-4-05	NAME: RCPT ASSY, SIZE 1, ARINC 600 (BLANK/60/5C2)
0 PLC ± -	1 PLC ± -	PRODUCT SPEC	APPLICATION SPEC
2 PLC ± -	3 PLC ± .005 [0.13]	SIZE: A1	CAGE CODE: 00779
4 PLC ± -	ANGLES ± -	DRAWING NO: 1757625	RESTRICTED TO: -
MATERIAL: SEE TABLE	FINISH: SEE TABLE	WEIGHT: -	CUSTOMER DRAWING
		SCALE: 2:1	SHEET 2 OF 3

REVISIONS					
P	LYR	DESCRIPTION	DATE	OWN	APVD
-	-	SEE SHEET 1	-	-	-



RECOMMENDED P.C. BOARD LAYOUT
 SCALE 4:1

THIS DRAWING IS A CONTROLLED DOCUMENT.		DIN C.C.THOMAS 1-4-05	TE Connectivity
DIMENSIONS: INCHES [mm]		CHK K.HOGAN 1-4-05	
TOLERANCES UNLESS OTHERWISE SPECIFIED:		APVD K.HOGAN 1-4-05	NAME RCPT ASSY, SIZE 1, ARINC 600 (BLANK/60/5c2)
0 PLC ± - 1 PLC ± - 2 PLC ± - 3 PLC ± .005 [0.13] 4 PLC ± - ANGLES ± -		APPLICATION SPEC	RESTRICTED TO
MATERIAL SEE TABLE	FINISH SEE TABLE	WEIGHT 0	SIZE A1
CUSTOMER DRAWING		SCALE 2:1	SHEET 3 OF 3
		DRAWING NO. 1757625	REV S