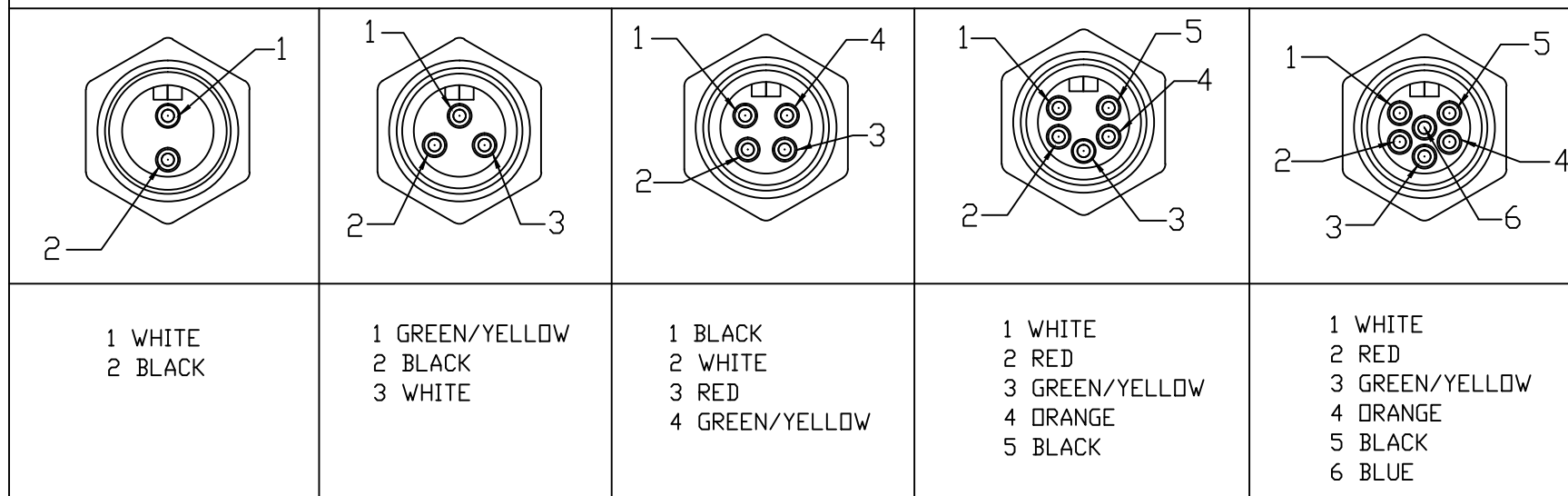


# FACE VIEW - MALE INSERT



## ENGINEERING NUMBER LEGEND

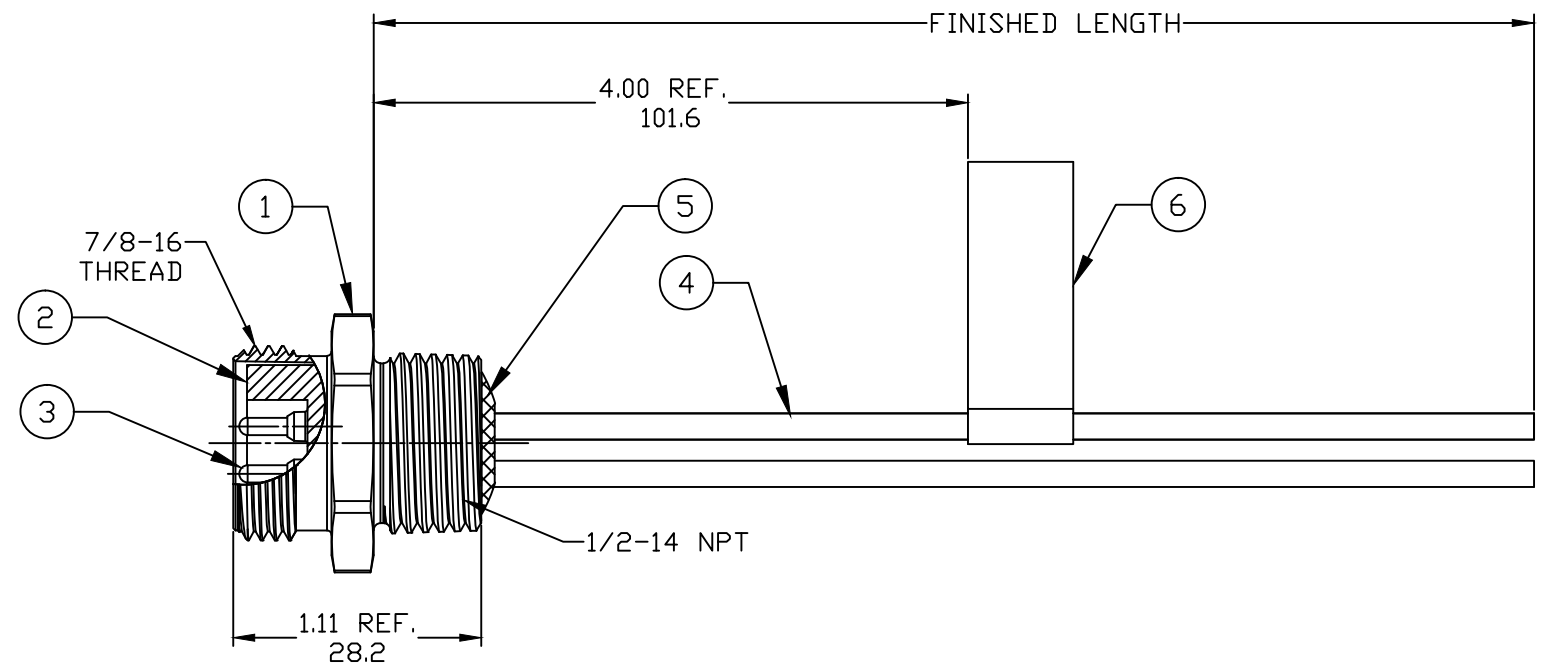
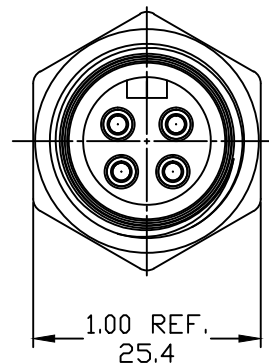
1RX006A20AXXX

FINISHED LENGTH  
 A120=12 INCHES  
 F060= 6 FEET

METRIC  
 M005= 0.5 METER  
 M010= 1 METER  
 M100= 10 METER

WIRE TYPE  
 16 AWG PVC

- NOTES:**
- MATERIAL: AS NOTED
  - FINISH: AS NOTED
  - ELECTRICAL:  
 VOLTAGE: 2 THRU 6P 600V PER UL 2238 (B)  
 3P 400V PER IEC 60664  
 4,5 & 6P 320V PER IEC 60664  
 CURRENT: 2 & 3 POLE: 13A  
 4 POLE: 10A  
 5 & 6 POLE: 8A
  - TEMP RATING: -20°TO +105°C
  - PROTECTION: IP67 (WHEN MATED)



6	LABEL	VINYL	BLACK/YELLOW
5	POTTING	EPOXY	
4	WIRE, 16 AWG, UL 1015	PVC INSUL.	SEE FACE VIEW
3	CONTACT PIN	Cu ALLOY	GOLD PLATED
2	INSERT	PVC	YELLOW
1	RECEPTACLE SHELL	ZINC DIE-CAST	BLACK E-COAT
ITEM	COMPONENT	MATERIAL	FINISH

REVD ELECTRICAL SPECS EC NO: IPG2017-0392 DRWN: RSTONE 10/18/16 CHKD: K COX 2016/10/27 APPR: BWOODMAN 2016/08/19	QUALITY SYMBOLS ▽=0 ▽C=0	GENERAL TOLERANCES (UNLESS SPECIFIED) mm INCH 4 PLACES ±--- ±--- 3 PLACES ±--- ±--- 2 PLACES ±--- ±.01 1 PLACE ±0.3 ±--- ANGULAR ±1°	DIMENSION STYLE IN/MM DRAWN BY DATE RSTONE 2016/08/01 CHECKED BY DATE M ZIELIN --- APPROVED BY DATE TWOLDEGE 2016/08/19	SCALE --- DESIGN UNITS INCH THIRD ANGLE PROJECTION	TITLE MINI CHANGE RECEPTACLE MALE 2 TO 6P 16 AWG	
	DRAFT WHERE APPLICABLE MUST REMAIN WITHIN DIMENSIONS		MATERIAL NO. -	DOCUMENT NO. SD-130013-120	SHEET NO. 1 OF 1	
	SIZE B		THIS DRAWING CONTAINS INFORMATION THAT IS PROPRIETARY TO MOLEX INCORPORATED AND SHOULD NOT BE USED WITHOUT WRITTEN PERMISSION			
	MOLEX INCORPORATED					