

Under Development

MS621R

New Reflowable MS-type Lithium Rechargeable Batteries

Vol. 20190605

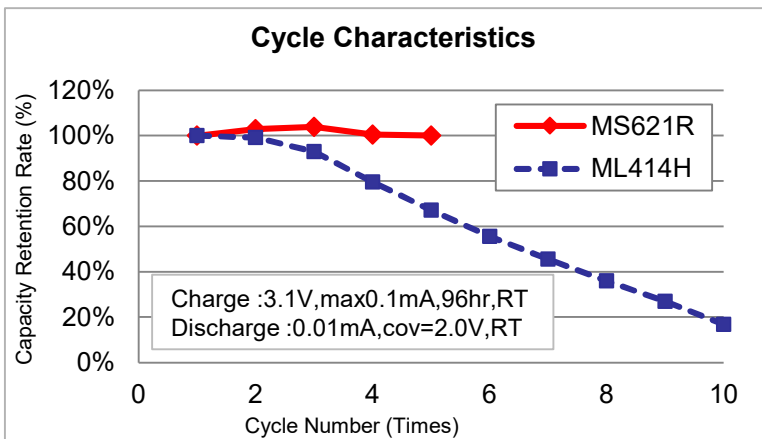
1. Features

- High capacity small size coin battery that can be mounted by reflow soldering
- Excellent cycle characteristics (Compared with our ML414H)

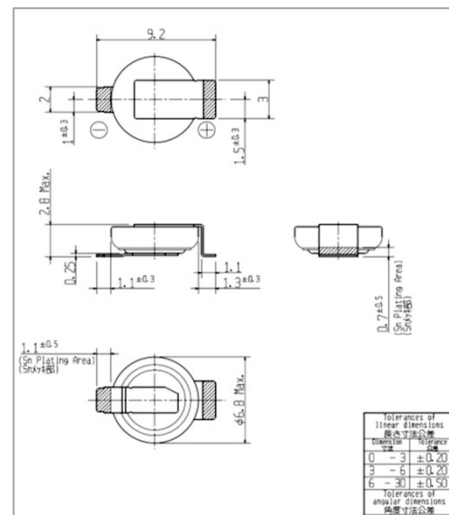
Type	Reflow	Maximum Charge Voltage	Standard Charge Voltage	Nominal Voltage	Nominal Capacity	Internal Impedance	Operating Temperature	Cycle Time		Size		weight
								100% D.O.D	20% D.O.D	Diameter	Height	
MS621R	OK	3.3 V	3.1 V	3 V	3mAh	400Ω	-20°C~+60°C	TBD	TBD	6.8mm	2.1mm	0.24g

Cycle Time testing is ongoing

2. Characteristics



3. Tabs



4. Schedule

- Sample distribution January 2020
- Mass production April 2020

Notice : All specifications in this leaflet are subject to change without notice. Prior to the purchase, please contact us.

Under Development

MS421R

New Reflowable MS-type Lithium Rechargeable Batteries

Vol. 20190605

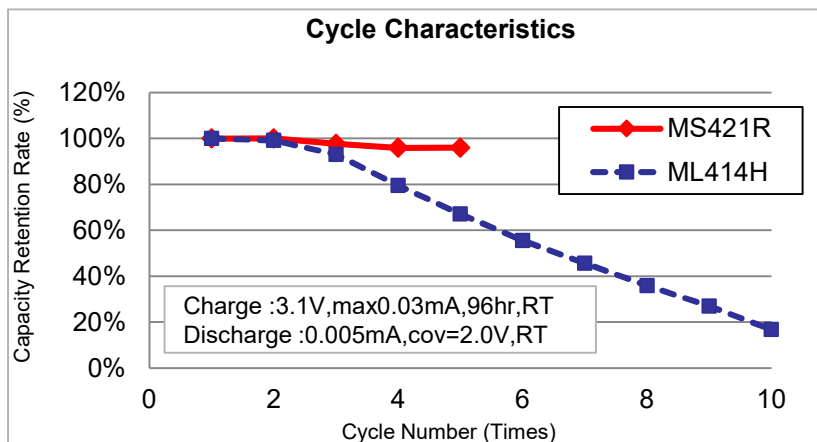
1. Features

- High capacity small size coin battery that can be mounted by reflow soldering
- Excellent cycle characteristics (Compared with our ML414H)

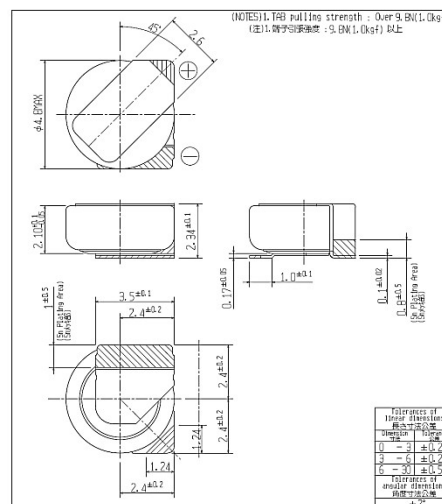
Type	Reflow	Maximum Charge Voltage	Standard Charge Voltage	Nominal Voltage	Nominal Capacity	Internal Impedance	Operating Temperature	Cycle Time		Size		weight
								100% D.O.D	20% D.O.D	Diameter	Height	
MS421R	OK	3.3 V	3.1 V	3 V	1.5 mAh	600Ω	-20°C~+60°C	TBD	TBD	4.8mm	2.1mm	0.1g

Cycle Time testing is ongoing

2. Characteristics



3. Tabs



4. Schedule

- Sample distribution March 2020
- Mass production May 2020

Notice: All specifications in this leaflet are subject to change without notice. Prior to the purchase, please contact us.