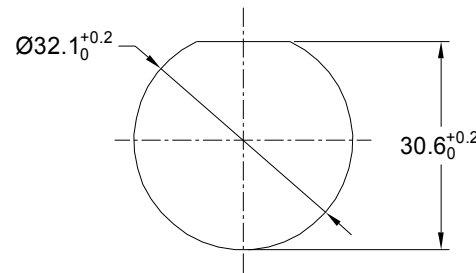
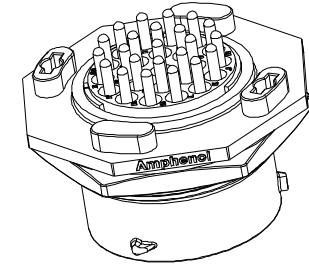
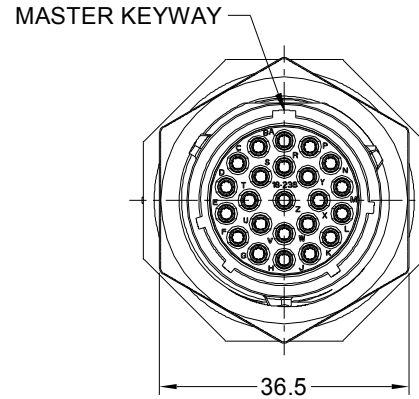
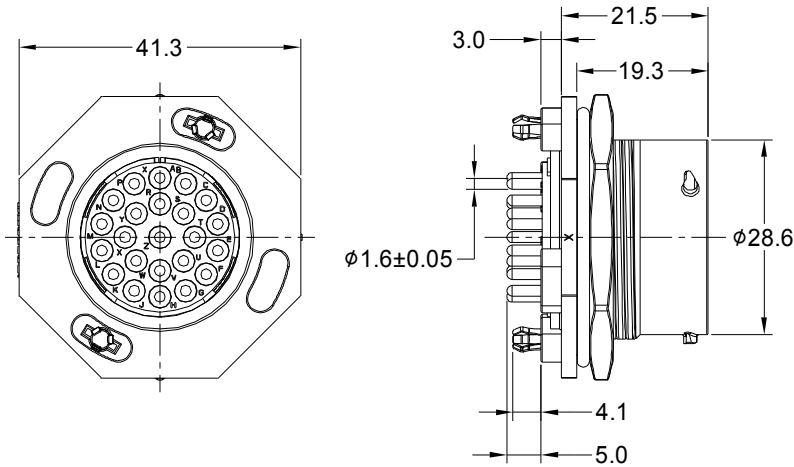
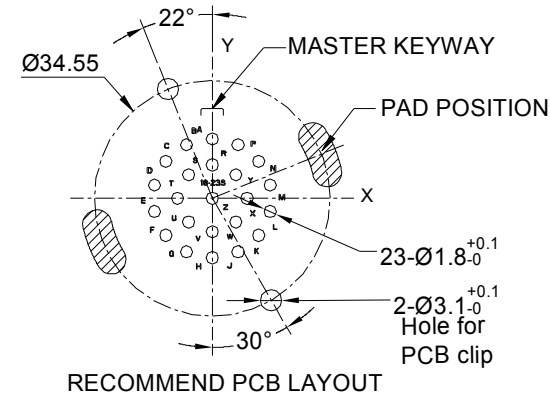


REVISIONS					
REV	ECO	DESCRIPTION	DATE	BY	APPR
A1	-	RELEASED DRAWING	Jul-25-2019	Ronald	Tommy
A2	-	UPDATE DESCRIPTION	SEP-23-2021	BLINK	TOMMY



RECOMMEND MOUNTING HOLE



RECOMMEND PCB LAYOUT

Position number	X	Y
A	0.000	8.700
B	-3.775	7.838
C	-6.802	5.424
D	-8.482	1.936
E	-8.482	-1.936
F	-6.802	-5.424
G	-3.775	-7.838
H	0.000	-8.700
J	3.775	-7.838
K	6.802	-5.424
L	8.482	-1.936
M	8.482	1.936
N	6.802	5.424
P	3.775	7.838
R	0.000	4.900
S	-3.465	3.465
T	-5.100	0.000
U	-3.465	-3.465
V	0.000	-4.900
W	3.465	-3.465
X	5.100	0.000
Y	3.465	3.465
Z	0.000	0.000

NOTES : (UNLESS OTHERWISE SPECIFIED)

- MATERIAL :  
SHELL : THERMOPLASTIC , UL94 V-0.  
INSERT : THERMOPLASTIC , UL94 V-0.  
O-RING : NBR/SILICONE RUBBER.  
SEAL GASKET : NBR/SILICONE RUBBER.  
JAM NUT : ALUMINIUM ALLOY , BLACK ANODIZING.  
CONTACT : COPPER ALLOY.
- SPECIFICATIONS :  
2.1 RATED CURRENT : 13A MAX.  
2.2 RATED VOLTAGE : 500V(AC/DC).  
2.3 OPERATING TEMPERATURE : -40°C ~ 125°C.  
2.4 DIELECTRIC WITHSTANDING VOLTAGE : LESS THAN 2 MILLIAMPS CURRENT LEAKAGE@2000 VOLTS AC.  
2.5 INSULATION RESISTANCE : 5000 MEGOHMS MIN.  
2.6 IP--CLASS : IP67 AND IP69K IN THE MATED CONDITION, PANEL EXTERNAL.  
2.7 MATING CYCLES DURABILITY : 500 CYCLES MIN.  
2.8 RoHS COMPLIANT.
- SUITABLE CONTACTS : 16# CONTACT.
- ALL DIMENSIONS ARE FOR REFERENCE USE ONLY.

KEY	PART NUMBER
N	RTS718ND23S0332
W	RTS718WD23S0332
X	RTS718XD23S0332
Y	RTS718YD23S0332
Z	RTS718ZD23S0332

QUANTITY	PART NUMBER	DESCRIPTION	ITEM
<b>MATERIALS LIST</b>			
<b>UNLESS OTHERWISE SPECIFIED</b> 1) All dimensions are in metric(mm). 2) Tolerances are as follows: 1 PL DEC ±0.30 Fractions ±1/64 2 PL DEC ±0.15 Angles ±1° 3 PL DEC ±0.08 3) Note reference =		<b>SIGNATURES</b> <b>DATE</b> DRAWN: <b>Ronald</b> <b>Jul-23-2019</b> CHECKED: <b>Martin</b> <b>Jul-29-2019</b> ENGINEER: APPROVAL: <b>Tommy</b> <b>Jul-29-2019</b> CUSTOMER:	
<b>MATERIAL SPECIFICATIONS:</b> THIS DRAWING IS SUPPLIED FOR INFORMATION ONLY. DESIGN FEATURES, SPECIFICATIONS AND PERFORMANCE DATA SHOWN HEREON ARE THE PROPERTY OF THE AMPHENOL CORPORATION. NO RIGHTS OF REPRODUCTION ARE IMPLIED. ALL DIMENSIONS ARE SUBJECT TO NORMAL MANUFACTURING VARIATIONS.		 Sine Systems - www.amphenol-sine.com 44724 Morley Drive Clinton Township, MI 48036	
<b>PROCESS SPECIFICATIONS:</b> NEXT ASSY:		EcoMate Aquarius, RECEPTACLE, JAM NUT, 23 POS, SOCKET, DIPSOLDER, SIZE 18. <b>SIZE</b> <b>TYPE</b> <b>DWG NO.</b> <b>B</b> <b>C-</b> <b>RTS718*D23S0332</b> <b>SCALE</b> <b>NONE</b> <b>REVISION</b> <b>A2</b>	
		SHEET 1 OF 1	

TITLE: EcoMate Aquarius, RECEPTACLE, JAM NUT, 23 POS, SOCKET, DIPSOLDER, SIZE 18. DWG NO.: RTS718\*D23S0332 REV: A2 SH: 1 OF: 1