

# NBC/NBM series

NBC -10 -472 -□

① ② ③ ④

- ① Series Name
- ② Rated Current
- ③ Line to ground capacitor code: Refer to table 1.1.

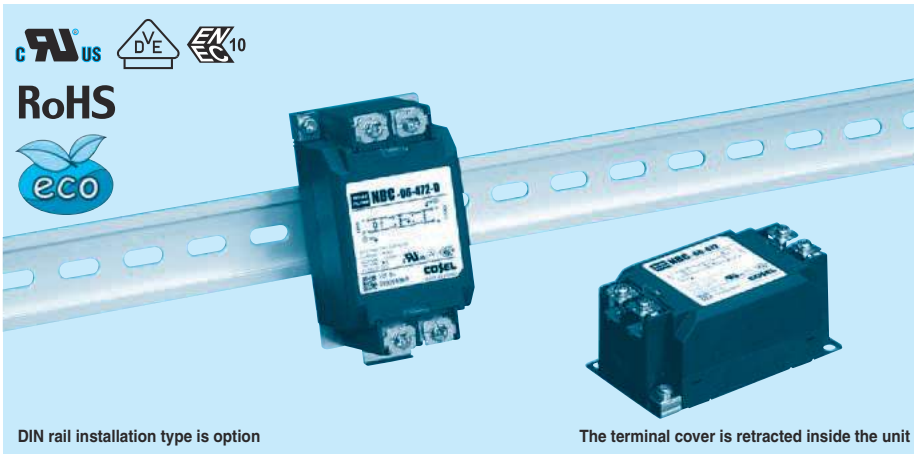
table.1.1 Line to ground capacitor code

Code	NBC	NBM	Leakage Current (Input 125/250V 60Hz)	Line to ground capacitor (nominal value)
000			5 $\mu$ A / 10 $\mu$ A max	Not Provided
101	●		12.5 $\mu$ A / 25 $\mu$ A max	100pF
221	●		25 $\mu$ A / 50 $\mu$ A max	220pF
331	●		37.5 $\mu$ A / 75 $\mu$ A max	330pF
471	●		50 $\mu$ A / 100 $\mu$ A max	470pF
681	●		75.5 $\mu$ A / 150 $\mu$ A max	680pF
102	●		0.13 mA / 0.25mA max	1,000pF
222	●		0.25 mA / 0.5 mA max	2,200pF
332	●		0.38 mA / 0.75mA max	3,300pF
472	●		0.5 mA / 1.0 mA max	4,700pF

\* When the line to ground capacitor code is different, the attenuation characteristic is different.

- ④ Option
- D: DIN rail installation type

\* The dimensions change when the option is set. Refer to External view.



DIN rail installation type is option

The terminal cover is retracted inside the unit

## Features of NBC/NBM series

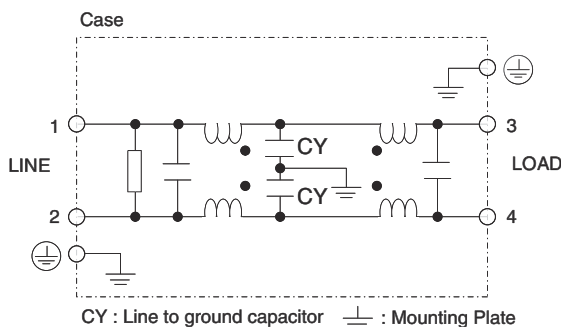
- Single Phase 250VAC (2-Stage filter)
  - Quick and easy push-down terminal
- Just connect the wires, push-down and tighten the screws with a screwdriver

- NBC : High-attenuation type from 150kHz to 1MHz
- NBM : Low leakage current, Withstand voltage 4,000 VAC

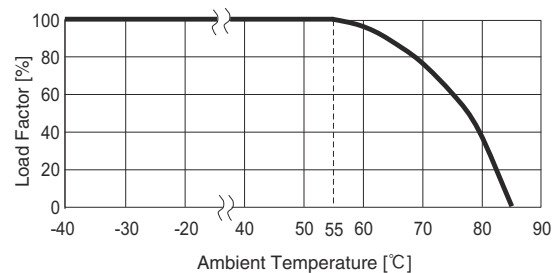
## Specifications

No.	Items	NBC-06-472	NBC-10-472	NBC-16-472	NBC-20-472	NBC-30-472
		NBM-06-471	NBM-10-471	NBM-16-471	NBM-20-471	NBM-30-471
1	Rated Voltage[V]	AC 1 $\phi$ 250 / DC250				
2	Rated Current[A]	6	10	16	20	30
3	Test Voltage (Terminal-Mounting Plate)	NBC : 2,500 VAC (Cutoff Current = 20mA), 1minute at room temperature and humidity NBM : 4,000 VAC (Cutoff Current = 20mA), 1minute at room temperature and humidity				
4	Isolation Resistance (Terminal-Mounting Plate)	500 VDC 100M $\Omega$ min at room temperature and humidity				
5	Leakage current	Refer to table 1.1				
6	Voltage drop	1.0V max				
7	Safety agency approval temperatures	-25 to +85 $^{\circ}$ C (Refer to Derating Curve)				
8	Operating temperature	-40 to +85 $^{\circ}$ C (Refer to Derating Curve)				
9	Operating humidity	20 to 95%RH (Non condensing)				
10	Storage temperature/humidity	-40 to +85 $^{\circ}$ C/20 to 95%RH (Non condensing)				
11	Vibration	10 to 55Hz, 19.6m/s $^2$ (2G), 3min. Period, 1hour each X, Y and Z axis				
12	Impact	196.1m/s $^2$ (20G), 11ms Once each X, Y and Z axis				
13	Safety agency approvals	UL1283, CSA C22.2 No.8 (C-UL), DIN EN60939 VDE0565 Teil3-1, ENEC (At only AC input)				
14	Case size (without projection) /Weight	53X41X92 mm [2.09X1.61X3.62 inches] (W X H X D) /270g max (Option : -D refer to external view)				

## Circuit Diagram



## Derating Curve

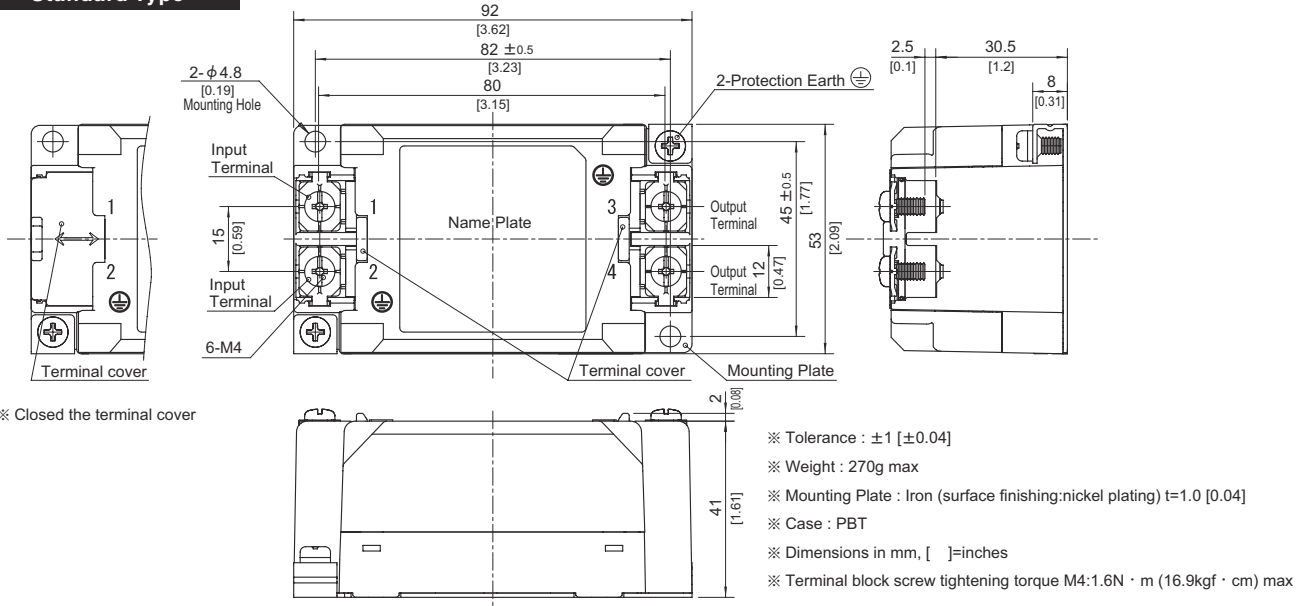


## External view

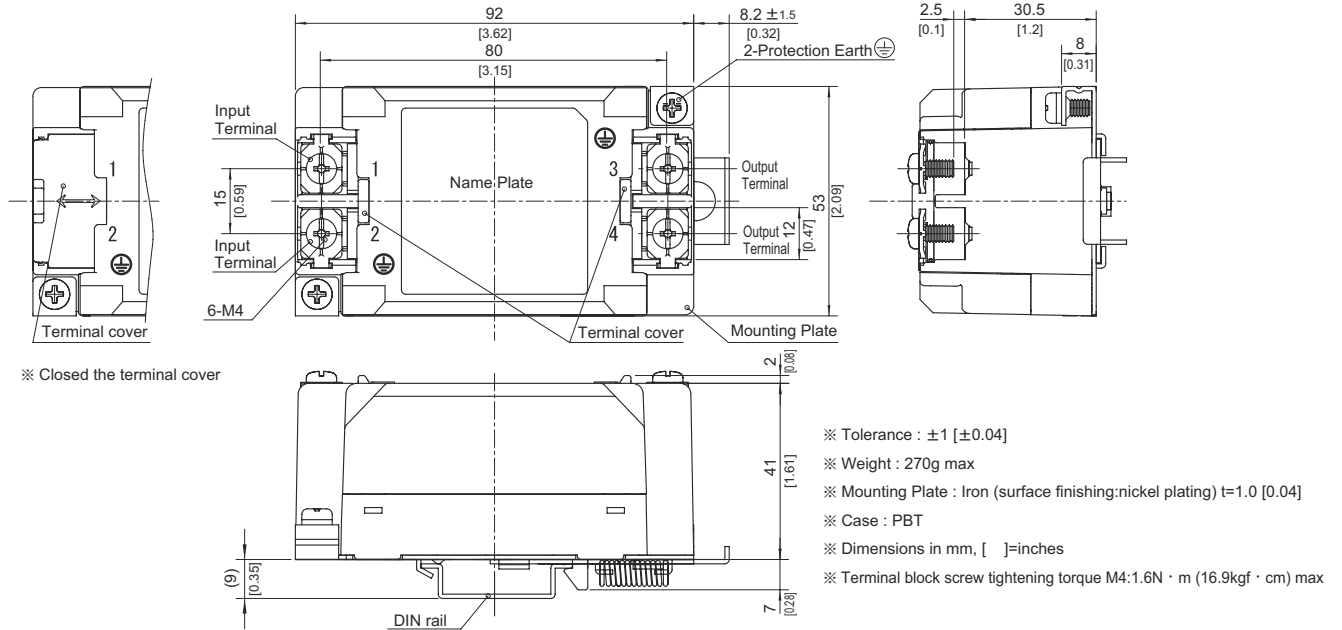
This product is shipped in the following condition, because it is equipped with push-down terminals.

- ① The terminal cover is retracted inside the unit.
- ② The screws for connecting the terminals are held in the up right position.

### Standard Type



### DIN rail installation Type



### ■Note when installing the EMI/EMC Filter on a DIN rail.

When the EMI/EMC Filter is grounded through the DIN rail, the proper noise attenuation may not be achieved.

Be sure to connect the protection earth (PE) of the EMI/EMC Filter body to the earth. At least one PE connection is required.

