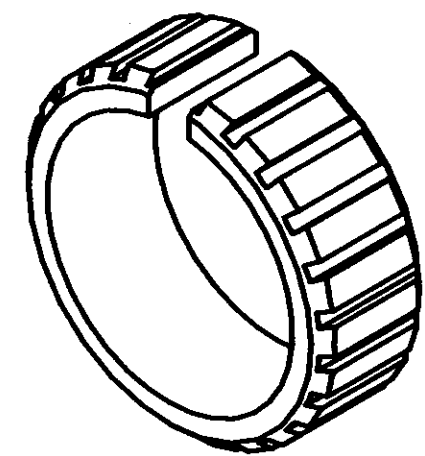
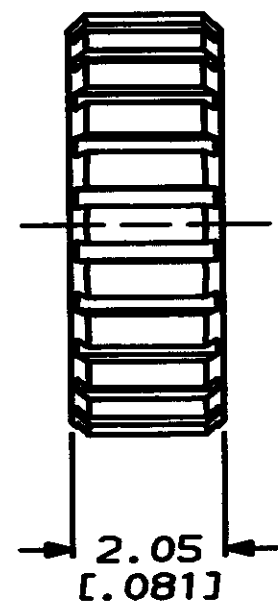
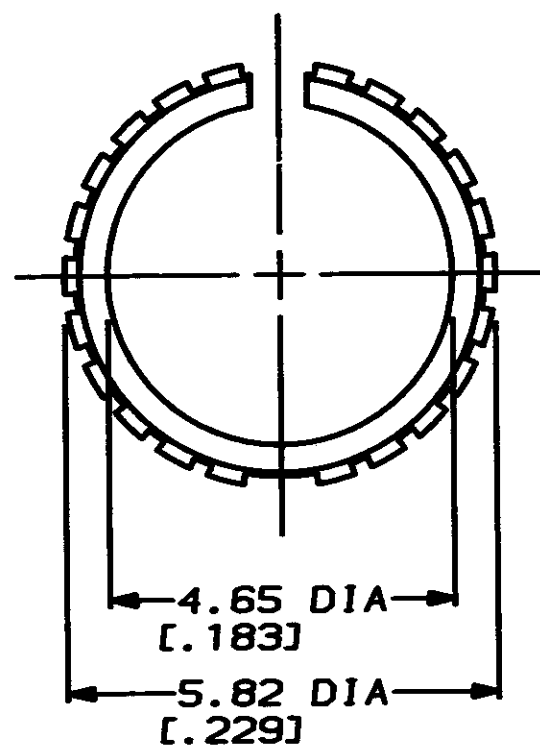


DRAWING MADE IN THIRD ANGLE PROJECTION

THIS DRAWING IS UNPUBLISHED. RELEASED FOR PUBLICATION .19
 © COPYRIGHT 19 BY AMP INCORPORATED, HARRISBURG, PA. ALL INTERNATIONAL RIGHTS RESERVED. AMP PRODUCTS MAY BE COVERED BY U.S. AND FOREIGN PATENTS AND/OR PATENTS PENDING.

LOC	DIST	REVISIONS						
CE	16	P	F	ZONE	LTR	DESCRIPTION	DATE	APPROVED
					D	REV PER CE-985	7-15-87	YB/KJA

- ITEM USED WITH ACTIVE DEVICES HAVING 4.65-4.70 [.183-.185] OUTSIDE CAN DIA
- DIMENSIONS IN [] ARE IN INCHES



METRIC

501084-1
PART NO

UNLESS OTHERWISE SPECIFIED DIMENSIONS ARE IN MM TOLERANCES ON: 2 PL DEC ± .13 [.005] 3 PL DEC ± - ANGLES ± -		DR J ZEIDERS 7/30/86	AMP INCORPORATED Harrisburg, Pa. 17105	
MATERIAL THERMOPLASTIC		CHK J GERACE 7/30/86		
FINISH -		APPD M BEARD 7/30/86	NAME DEVICE RING, ADM, OPTIMATE	
		APPD K MONROE 7/30/86	SIZE B	FOOH NO 00779
		PRODUCT SPEC -	DRAWING NO 501084	
		APPLICATION SPEC -	SCALE 10:1	SHEET 1 OF 1
		WEIGHT -		

CUSTOMER DRAWING