



Size 3,0x3,0x1,4 mm
Rated inductance 1..22 μ H



Construction

- Ferrite core
- Leadframe
- Winding: enamel copper wire

Features

- Wide temperature range
- Low profile
- Low DC resistance
- Suitable for reflow soldering

Applications

- Filtering of supply voltages
- Coupling, decoupling
- DC/DC converters
- EDP, digital cameras, consumer electronic etc.

Terminals

- Tinned

Marking

Marking on component:
L value (in μ H)

Minimum marking on reel:
Manufacturer, part number, ordering code,
L value and tolerance
quantity, date of packing

Delivery mode

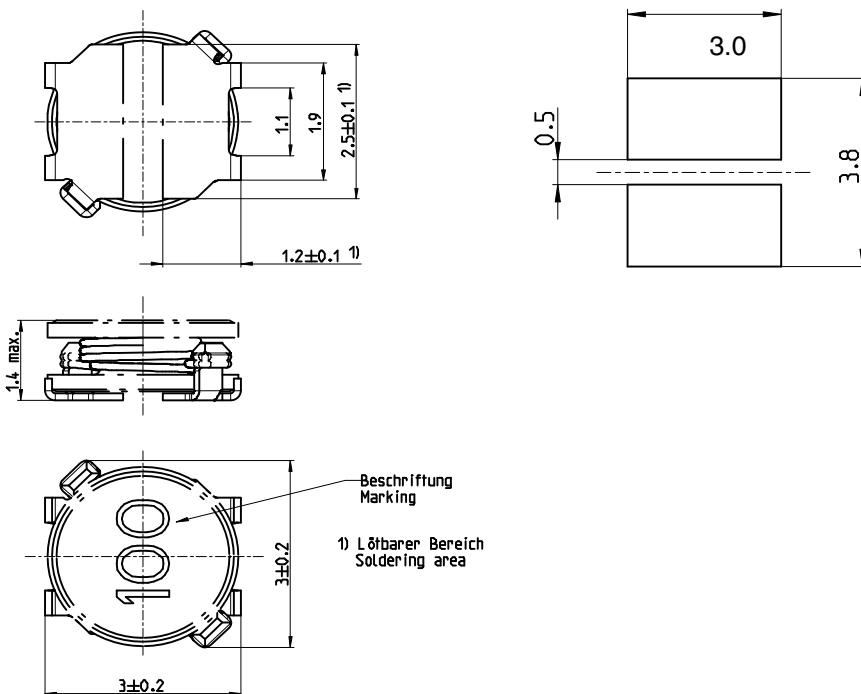
12mm-Blister tape, reel packing \varnothing 180mm



General technical data

Rated inductance L_R	Measured with HP 4284A, measuring voltage 100 mV
DC resistance R_{typ}	Measured at 20 °C ambient temperature
Rated current I_R	Maximum permissible DC with temperature increase of ≤ 40 K
Saturation current I_{Sat}	Maximum permissible DC with inductance decrease $\Delta L/L_0 \approx 10\%$
Climatic category	In accordance with IEC 60068-1 55/125/56 (-55 °C/ +125 °C/ 56 days damp heat test)
Solderability	3s, 235°C, wetting > 90%
Reflow conditions	Suitable for 260°C/10sec, 2 passes
Environmental	Fully RoHS compliant
Weight	Approx. 0,5g

Dimensional drawing and layout recommendation




Characteristics and ordering codes

L_R μH	f_L kHz	Tolerance	I_R A	I_{Sat} A	R_{typ} Ω (+/-20%)	Ordering code
1	100	20 %	1.95	2.70	0.051	B82468–A4102–M
1.5	100	20 %	1.70	2.20	0.065	B82468–A4152–M
2.2	100	20 %	1.48	1.90	0.087	B82468–A4222–M
3.3	100	20 %	1.20	1.50	0.135	B82468–A4332–M
4.7	100	20 %	1.03	1.20	0.185	B82468–A4472–M
6.8	100	20 %	0.88	1.10	0.240	B82468–A4682–M
10	100	20 %	0,75	0.90	0.330	B82468–A4103–M
15	100	20 %	0.59	0.70	0.550	B82468–A4153–M
22	100	20 %	0.48	0.60	0.810	B82468–A4223–M