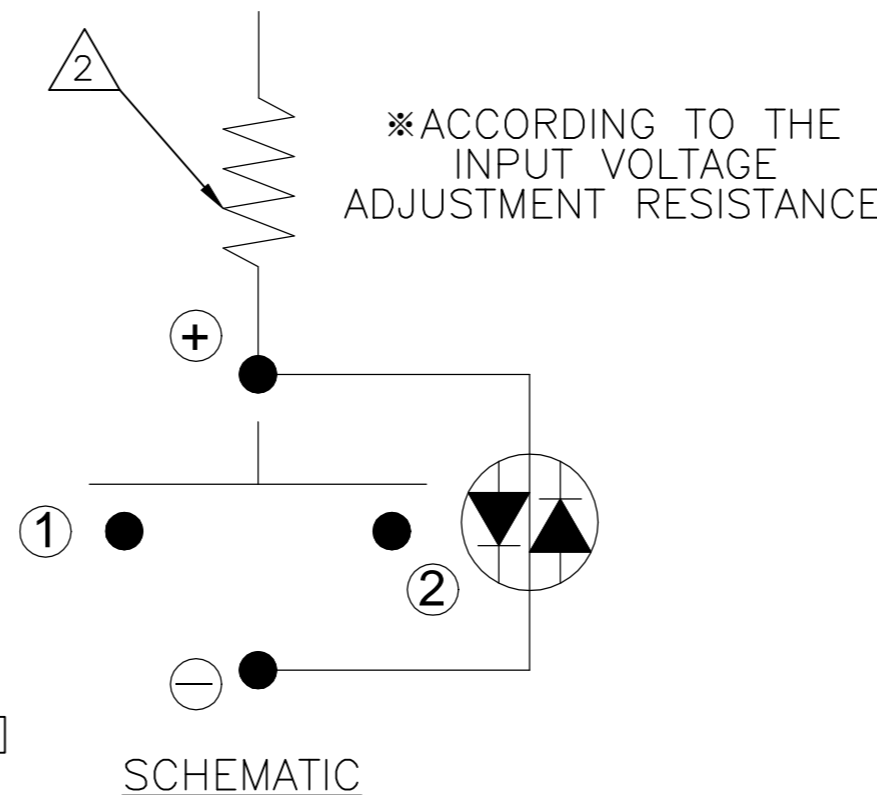
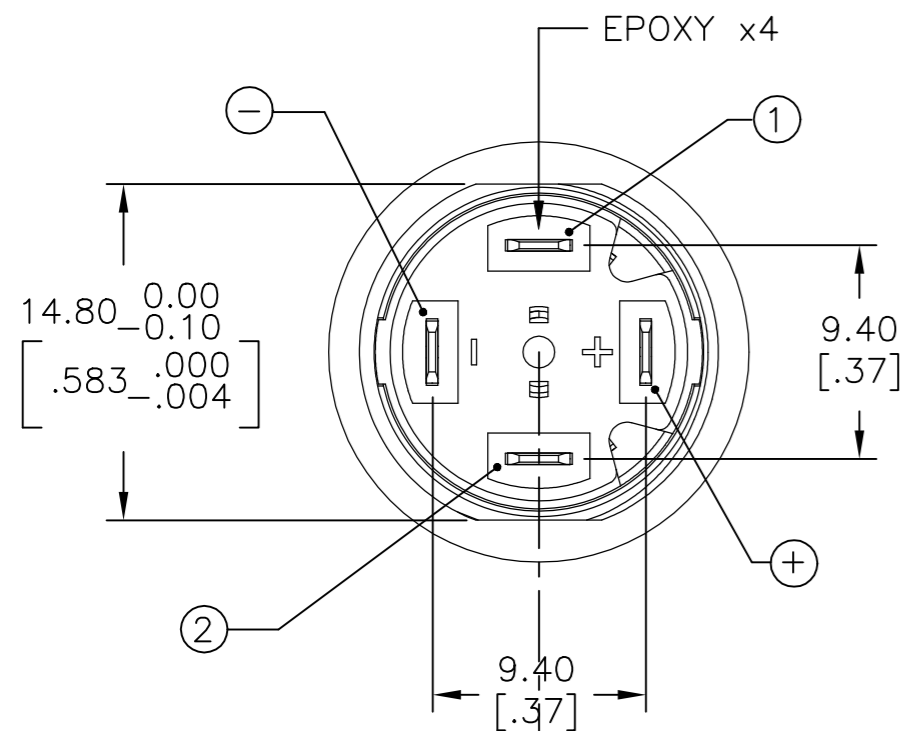
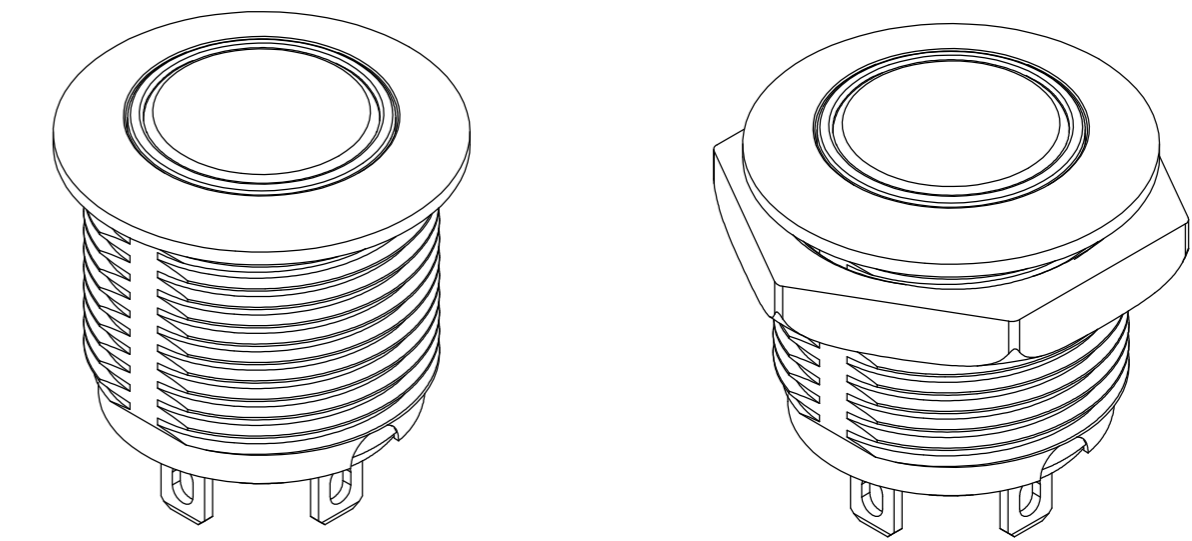
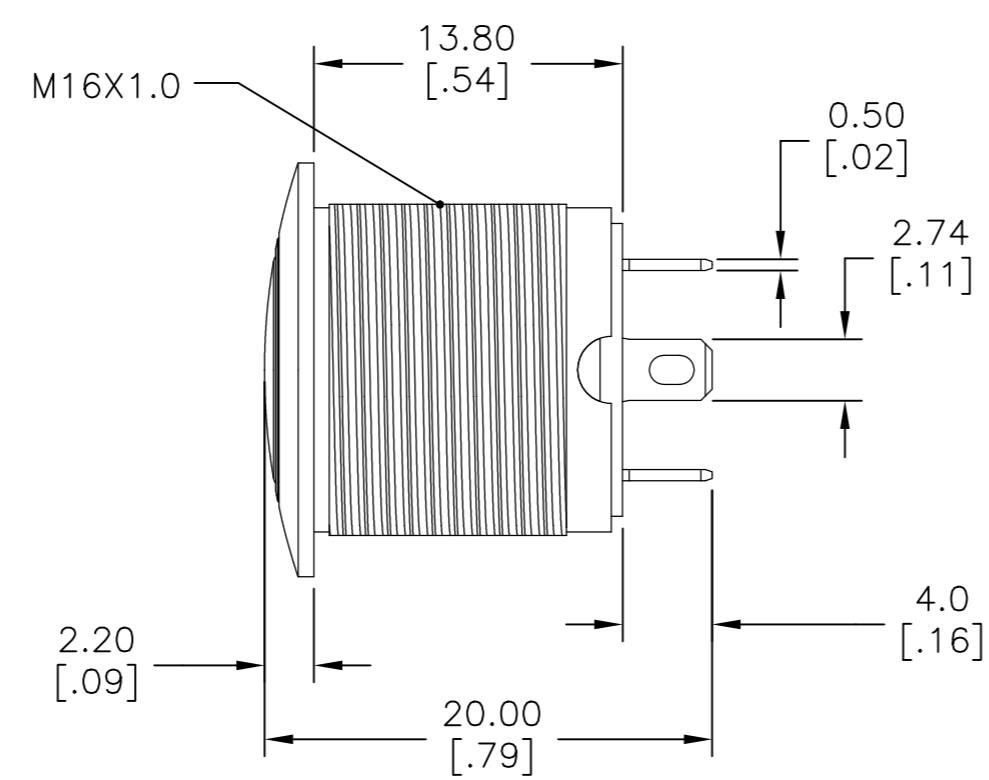
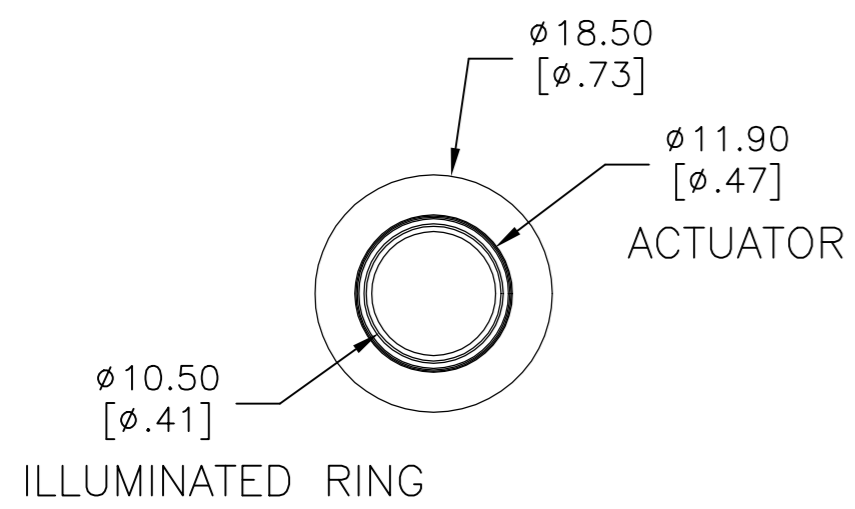


| REVISIONS | | | | | |
|-----------|-----|---------------|-----------|-----|------|
| P | LTR | DESCRIPTION | DATE | DWN | APVD |
| | A1 | ECR-17-012492 | 04JAN2019 | RSM | AS |



SPECIFICATIONS

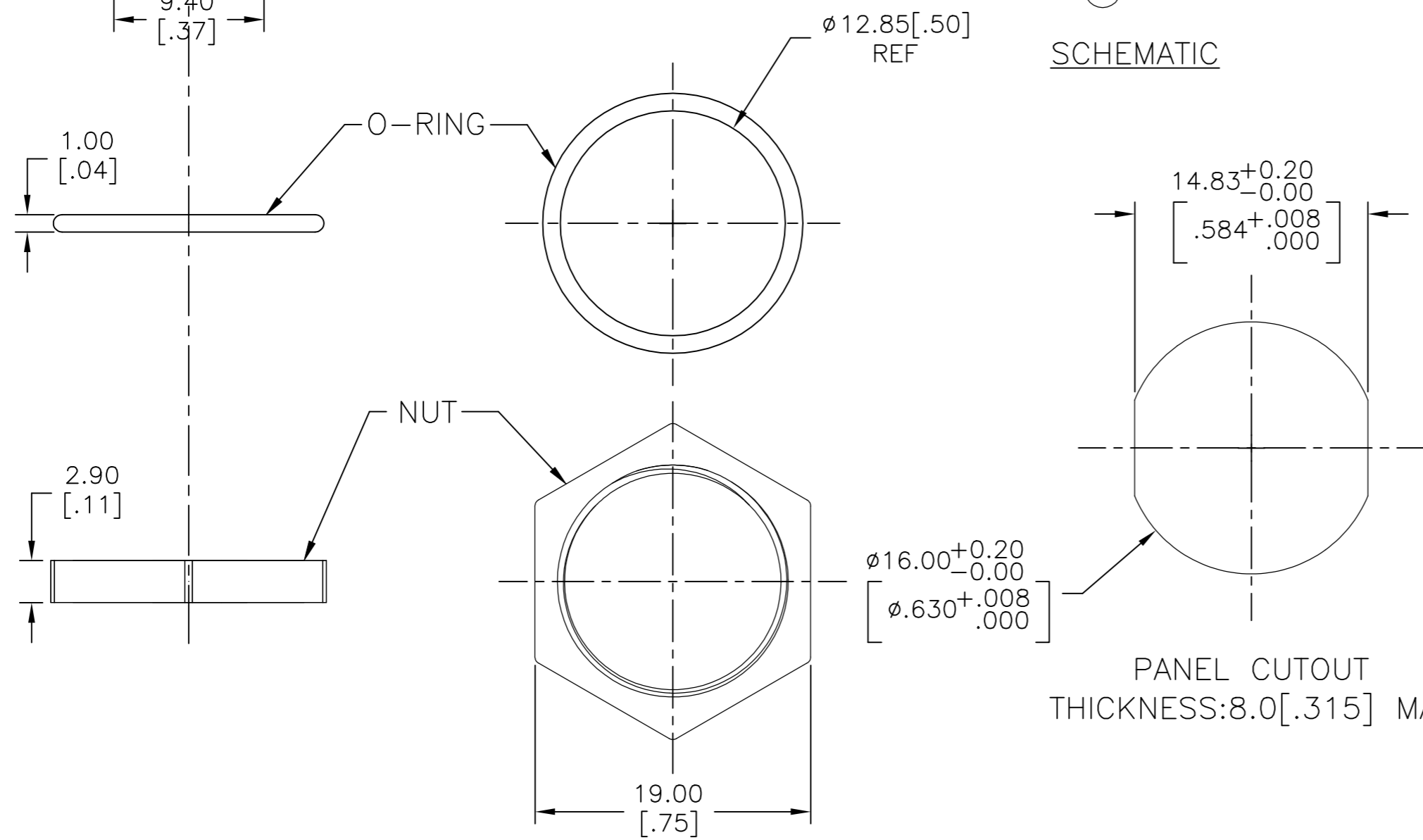
CONTACT RATING: 2A @ 36 VDC RESISTIVE
 INSULATION RESISTANCE: 1,000MΩ MIN AT 500VDC
 DIELECTRIC STRENGTH: 2,000V RMS @ SEA LEVEL
 CONTACT RESISTANCE: 50 mΩ MAX
 ELECTRICAL LIFECYCLES: 200,000 MAKE AND BREAK CYCLES AT FULL LOAD

ACTUATION FORCE: 4.5±1.5 NEWTONS
 ACTUATION TRAVEL: APPROXIMATELY 2.0±0.20mm
 OPERATING TEMPERATURE: -20°C TO +70°C
 MECHANICAL LIFECYCLES: 1,000,000 CYCLES
 HARDWARE TORQUE: 1.15 N-m MAX
 SEALED PER IP67

MATERIALS

BUSHING: ALUMINUM ALLOY
 BASE: PBT (UL 94-V0)
 ACTUATOR: PC (TRANSLUCENT UL 94-V2)
 CAP: ALUMINUM ALLOY
 SPRING: STEEL
 SEALING: SILICONE
 O-RING: SILICONE (TRANSLUCENT)
 TERMINAL: BRASS, GOLD FLASH PLATED
 CONTACT: COPPER BASE, SILVER PLATED
 HEX NUT: BRASS BASE, NICKEL PLATED

- 1 ALL MATERIAL AND FINISHES SHALL COMPLY WITH EU DIRECTIVE 2002/95/EC OF 27JAN2003 (ROHS)
- 2 CURRENT LIMITING RESISTOR IS SUPPLIED TO LIMIT LED FORWARD CURRENT TO 20mA.



| | | | | | |
|----------------------------------------|-------------|----------------------|-----------|-------------------------------------------------|-----------------------|
| THIS DRAWING IS A CONTROLLED DOCUMENT. | | DWN NAGALAKSHMI K | 09FEB2016 | | |
| DIMENSIONS: mm [INCHES] | | CHK HILL RYAN | 09FEB2016 | | |
| TOLERANCES UNLESS OTHERWISE SPECIFIED: | | APVD HILL RYAN | 09FEB2016 | NAME ANTI-VANDAL SWITCH 16mm MOVING RING LED | |
| 0 PLC ± - | 1 PLC ± - | PRODUCT SPEC | | SIZE A2 | |
| 2 PLC ± 0.25[.01] | 3 PLC ± - | APPLICATION SPEC | | CAGE CODE 00779 | DRAWING NO 2213774 |
| 4 PLC ± - | ANGLES ± 5° | | | RESTRICTED TO | |
| MATERIAL | FINISH | WEIGHT | | SCALE 3:1 | SHEET 1 of 2 |
| CUSTOMER DRAWING | | | | REV A1 | |

4

3

2

1

THIS DRAWING IS UNPUBLISHED.

RELEASED FOR PUBLICATION

-. - .

© COPYRIGHT - By -

ALL RIGHTS RESERVED.

REVISIONS

| P | LTR | DESCRIPTION | DATE | DWN | APVD |
|---|-----|-------------|------|-----|------|
| - | - | SEE SHEET 1 | - | - | - |

D

D

C

C

B


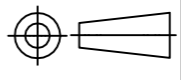
B

A

A

2213774

| | | | | |
|-----------------------|-----------|---------------|-------------------|----------------|
| SINGLE POLE-MOMENTARY | BLUE | 24V | AV1610R724R04 | 1-2213774-0 |
| | BLUE | 12V | AV1610R712R04 | 2213774-9 |
| | GREEN | 24V | AV1610R624R04 | 2213774-8 |
| | GREEN | 12V | AV1610R612R04 | 2213774-7 |
| | YELLOW | 24V | AV1610R524R04 | 2213774-6 |
| | YELLOW | 12V | AV1610R512R04 | 2213774-5 |
| | RED | 24V | AV1610R324R04 | 2213774-4 |
| | RED | 12V | AV1610R312R04 | 2213774-3 |
| | WHITE | 24V | AV1610R124R04 | 2213774-2 |
| WHITE | 12V | AV1610R112R04 | 2213774-1 | |
| POLE/THROW | LED COLOR | LED VOLTAGE | TE DESCRIPTIVE PN | TE PART NUMBER |

| | | | | | | | |
|-------------------------------------------------------------------------------------------------------------------------------------------------------------------------------|--|----------------------------------------|-----------|-------------------------------------------------------------------------------------------------------|-----------------|-------------------------------|--|
| THIS DRAWING IS A CONTROLLED DOCUMENT. | | DWN NAGALAKSHMI K | 09FEB2016 |  TE Connectivity | | | |
| | | CHK HILL RYAN | 09FEB2016 | | | | |
| DIMENSIONS: mm [INCHES] | | TOLERANCES UNLESS OTHERWISE SPECIFIED: | | NAME | | | |
|  0 PLC ± - 1 PLC ± - 2 PLC ± 0.25[.01] 3 PLC ± - 4 PLC ± - ANGLES ± 5° | | APVD HILL RYAN | | 09FEB2016 | | | |
| | | PRODUCT SPEC | | APPLICATION SPEC | | | |
| | | MATERIAL | | WEIGHT | | RESTRICTED TO | |
| | | FINISH | | CUSTOMER DRAWING | | SCALE 3:1 SHEET 2 of 2 REV A1 | |
| | | | | SIZE A2 | CAGE CODE 00779 | | |
| | | | | DRAWING NO. 2213774 | | | |