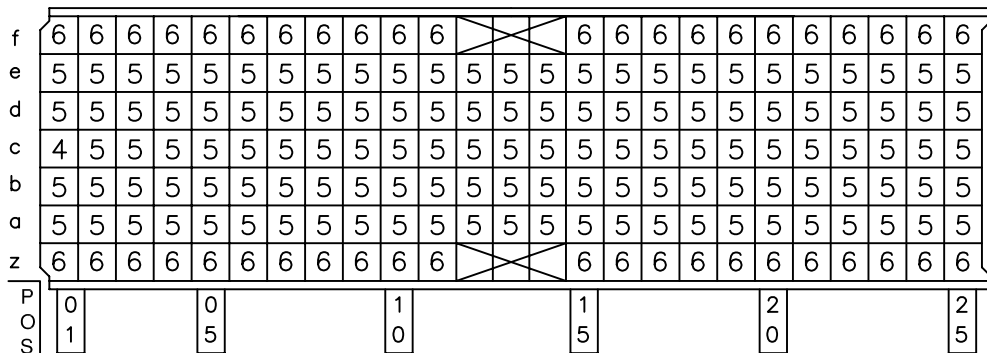
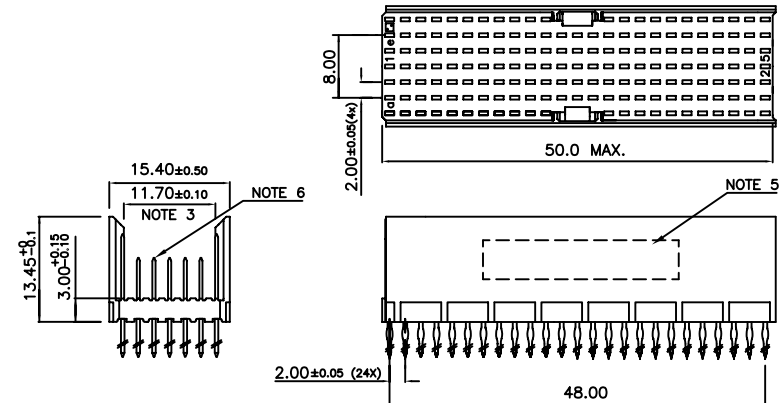


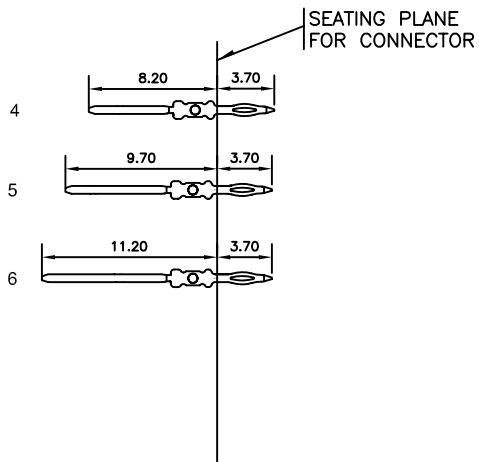
LOADING PATTERN MATING SIDE



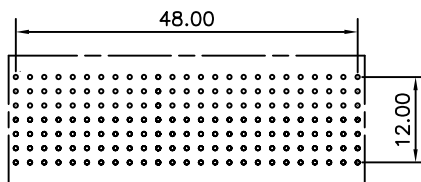
LOADED CONNECTOR ASSEMBLY (FOR EXAMPLE)



CONTACT OVERVIEW



LAY-OUT P.C.B.-HOLE



HM2P65PDK311 LEAD FREE INDICATOR : LF = LEAD FREE (DIGIT 15 & 16)  
 PLATING CODE (DIGIT 13 AND 14)  
 (REF DRW NO. BS,C , 201844 , 003)

NOTES

- THIS PRODUCT IS CSA APPROVED.
- THIS PRODUCT IS UL RECOGNIZED.
- MEASURED AT THE BOTTOM.
- MATERIAL CONTACT: PHOSPHORBRONZE  
HOUSING: CREAM WHITE GLASS FILLED POLYESTER UL-94V0
- CONNECTOR PRINTED WITH P/N AND DATE CODE.
- FOR ACTUAL CONTACT LOADINGS, SEE LOADING PATTERN MATING SIDE.
- SHAPE OF CONNECTOR HOUSING CAN ALTER DEPENDING ON PRODUCTION LOCATION
- THE PRODUCT (LF) MEETS EUROPEAN UNION DIRECTIVES AND OTHER COUNTRY REGULATIONS AS DESCRIBED IN GS-22-008
- FOR RECOMMENDED PTH DIMENSIONS REFER DRAWING : BS, A , 201572 , 001  
CATALOG NO: HM2P65PDK311----

mat'l. code SEE NOTE 4		surface ISO 1302		tolerance ISO 406 ISO 1101		projection 		product family MILLIPACS	
ltr	ecn no	dr	date	tolerances unless otherwise specified		MM		title	
A	107-0048	AB	2007-04-09	angles	linear	MM		MPACS 5+2R STR HDR PF CONN TYPE AB	
				0°±1°		scale		dwg no	
				dr	ALEX BABU	2007-04-09		sheet 1 of 1	
				enr	BIJU K PAUL	2007-04-09		size	
				chr	BIJU K PAUL	2007-04-09		A3	
				appd	BIJU K PAUL	2007-04-09		type	
sheet index	revision sheet	A	1					Product Customer Drawing	



FCIconnect.com

Copyright FCI