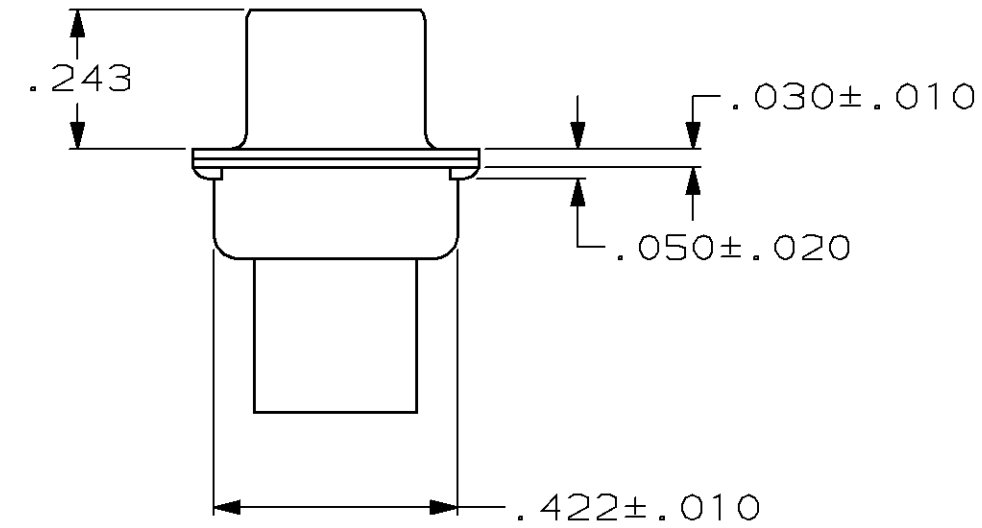
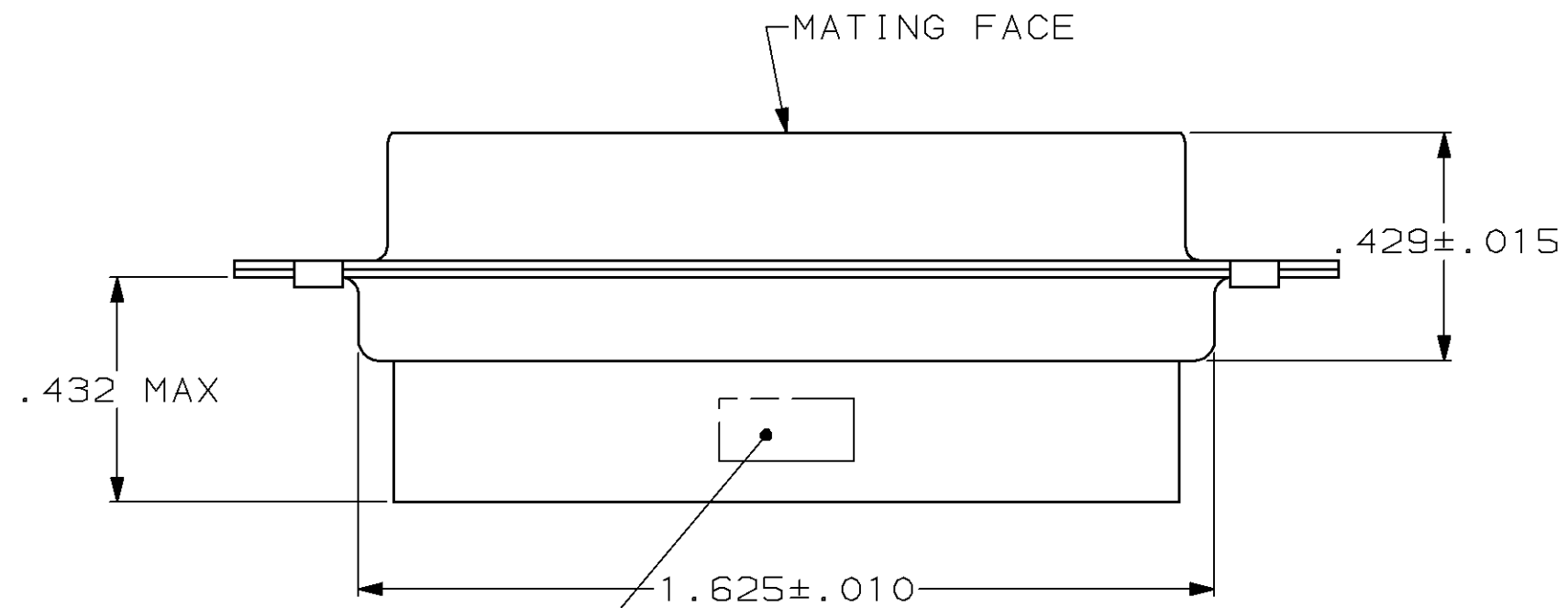
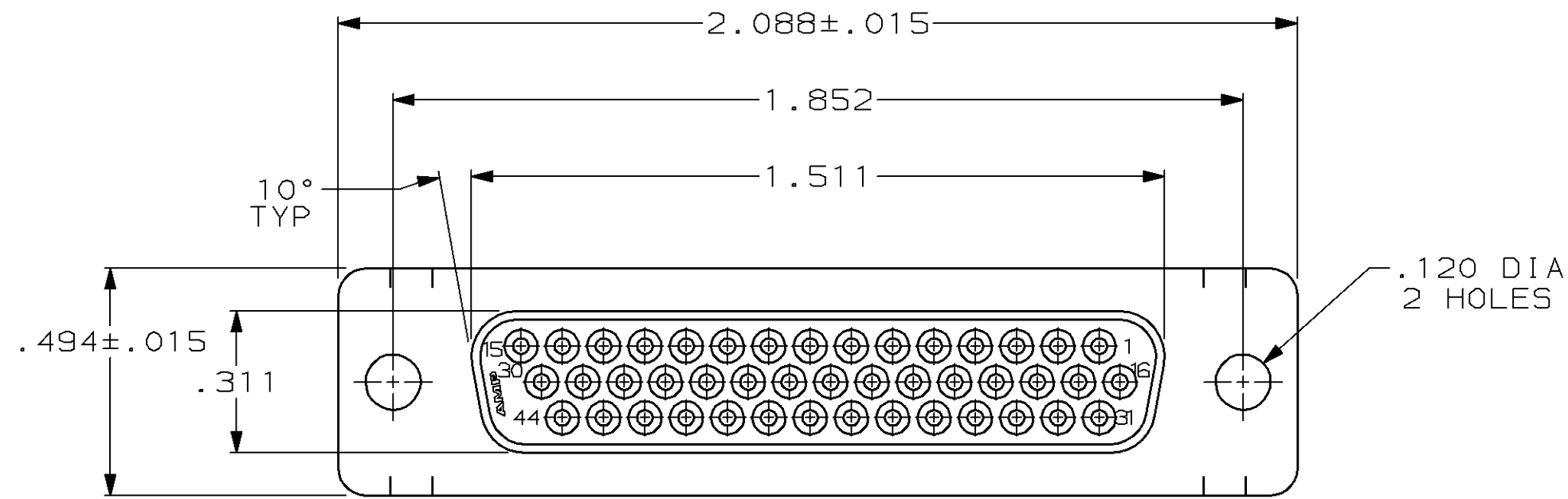


THIS DRAWING IS UNPUBLISHED. RELEASED FOR PUBLICATION .19 .
 © COPYRIGHT 19 BY AMP INCORPORATED. ALL INTERNATIONAL RIGHTS RESERVED.

LOC	DIST	P	F	REVISIONS				
BD	39			ZONE	LTR	DESCRIPTION	DATE	APPD
				0		REL WAS 87-4870-15	-	-



AMP, PART NO & DATE CODE, MARKED IN AREA INDICATED, ON FAR SIDE

- 1. CONNECTOR ACCEPTS SIZE 22 DF SOCKET CONTACTS, RETENTION TINES ARE AN INTEGRAL PART OF INSERT.
- ② FLAME RETARDANT 94V-0 RATED GLASS FILLED NYLON, COLOR: BLACK.
- ③ STEEL PER ASTM A109.
- ④ TIN PLATED PER MIL-T-10727.

748567-1

PART NO

DO NOT SCALE PRINT. UNLESS SPECIFIED DIMENSIONS IN INCHES TOLERANCES ON : 2 PLC DEC ± - 3 PLC DEC ± .005 ANGLES ± 2°	DR -	AMP INCORPORATED Harrisburg, Pa. 17105
	CHK -	
	APPD -	
	APPD -	
MATERIAL MOLDED PARTS: ② SHELLS: ③	PRODUCT SPEC -	NAME RECEPTACLE CONNECTOR, SIZE 3, 44 POSN, AMPLIMITE®HDP-22
FINISH SHELLS: ④	APPLICATION SPEC -	SIZE C FSCM NO 00779 DRAWING NO 748567
	WEIGHT -	SCALE 3:1 SHEET 1 OF 1