

6

5

4

3

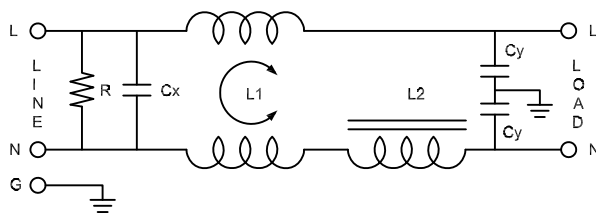
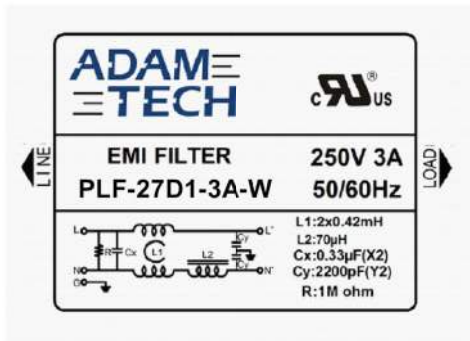
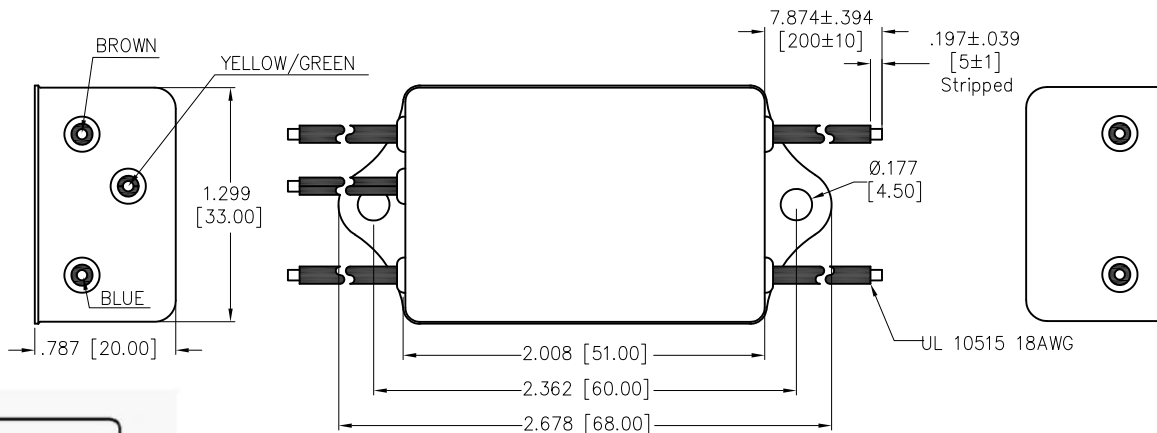
2

1

APPROVED: _____

DATE: _____ TITLE: _____

Rev	AWO #	Description	Date	Appr
-		RELEASED	7/30/21	
A		ADDED DRAWING	5/27/22	LH/RC



L1: 2x0.42mH
 L2: 70uH
 Cx: 0.33uF(X2)
 Cy: 2200pF(Y2)*2
 R: 1M ohm

SPECIFICATIONS:

Electrical:

Voltage rating: 115/250 VAC

Current rating: 115/250 VAC: 3 A RMS max

Leakage Current: Each Line To Ground

@115VAC/60HZ 0.3mA max

@250VAC/50HZ 0.6mA max

Hipot Rating(For 1 Minute)

A. Line to Ground: 2,250 VDC

B. Line to Line: 500 VDC

IR: 50 Mohm @500 VDC Any Input or Output to Ground

Temperature Rating:

-25°C to +85°C

Environmental:

Lead free, RoHS compliant



UNLESS OTHERWISE SPECIFIED ALL DIMENSIONS ARE INCHES [MM]. TOLERANCES: EXCEPT AS NOTED		 909 Rahway Avenue, Union, NJ 07083 Phone: 908-687-5000 Fax: 908-687-5710															
<table border="1"> <thead> <tr> <th colspan="2">INCHES</th> <th colspan="2">HOLES</th> </tr> </thead> <tbody> <tr> <td>.X</td> <td>± .10</td> <td>Ø.X</td> <td>± .10</td> </tr> <tr> <td>.XX</td> <td>± .020</td> <td>Ø.XX</td> <td>± .015</td> </tr> <tr> <td>.XXX</td> <td>± .015</td> <td>Ø.XXX</td> <td>± .010</td> </tr> </tbody> </table>				INCHES		HOLES		.X	± .10	Ø.X	± .10	.XX	± .020	Ø.XX	± .015	.XXX	± .015
INCHES		HOLES															
.X	± .10	Ø.X	± .10														
.XX	± .020	Ø.XX	± .015														
.XXX	± .015	Ø.XXX	± .010														
DRAWN	JJ	7/30/21	TITLE EMI/RF POWER FILTER, METAL CASE, WIRE LEADED, CHASSIS MOUNT														
CHECKED	RC	7/30/21															
APPROVED																	
THIS DRAWING CONTAINS INFORMATION THAT IS PROPRIETARY AND SHOULD NOT BE USED WITHOUT PRIOR WRITTEN PERMISSION FROM ADAM TECH			<table border="1"> <tr> <td>SIZE X</td> <td>PART NO. PLF-27D1-3A-W</td> <td>REV. -</td> </tr> <tr> <td>REF: S00205C</td> <td>SCALE: NTS</td> <td>SHEET 1 OF 2</td> </tr> </table>	SIZE X	PART NO. PLF-27D1-3A-W	REV. -	REF: S00205C	SCALE: NTS	SHEET 1 OF 2								
SIZE X	PART NO. PLF-27D1-3A-W	REV. -															
REF: S00205C	SCALE: NTS	SHEET 1 OF 2															

6

5

4

3

2

1

6

5

4

3

2

1

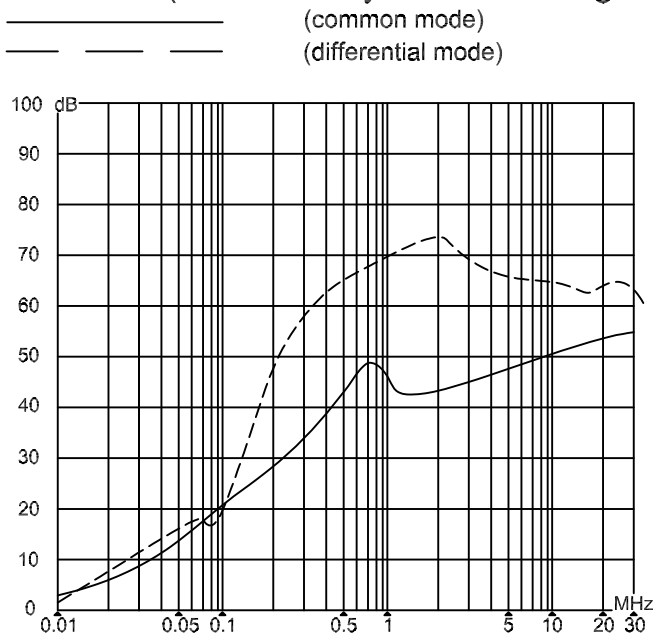
APPROVED: _____

DATE: _____ TITLE: _____

Rev	AWO #	Description	Date	Appr
-----	-------	-------------	------	------

SEE SHT 1 OF 2 FOR REVISION

INSERTION LOSS(IN 50 ohm system according IEC/CISPR



UNLESS OTHERWISE SPECIFIED ALL DIMENSIONS ARE INCHES [MM]. TOLERANCES: EXCEPT AS NOTED

INCHES		HOLES	
.x	± .10	∅.x	± .10
.xx	± .020	∅.xx	± .015
.xxx	± .015	∅.xxx	± .010



909 Rahway Avenue,
Union, NJ 07083
Phone: 908-687-5000
Fax: 908-687-5710

DRAWN	JJ	7/30/21
CHECKED	RC	7/30/21
APPROVED		

TITLE	EMI/RF POWER FILTER, METAL CASE, WIRE LEADED, CHASSIS MOUNT	
SIZE	PART NO.	REV.
X	PLF-27D1-3A-W	-

THIS DRAWING CONTAINS INFORMATION THAT IS PROPRIETARY AND SHOULD NOT BE USED WITHOUT PRIOR WRITTEN PERMISSION FROM ADAM TECH

REF:	S00205C	SCALE:	NTS	SHEET	2 OF 2
------	---------	--------	-----	-------	--------

6

5

4

3

2

1