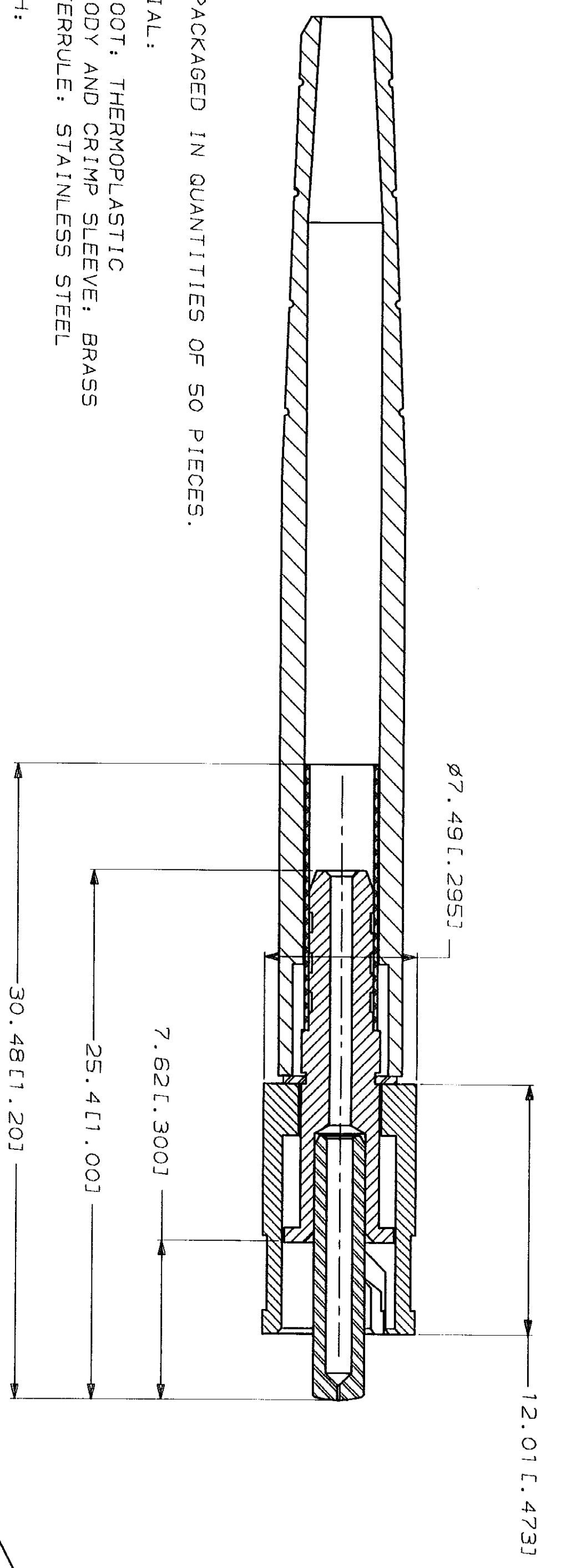
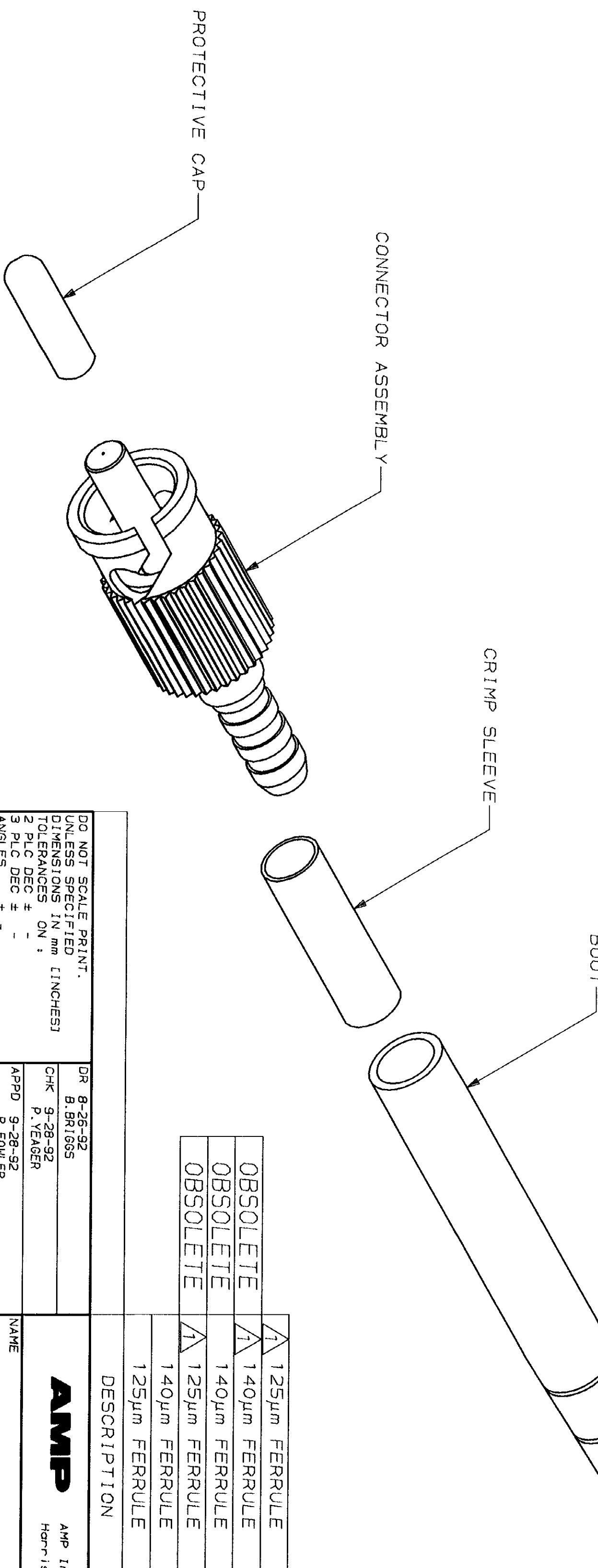


LOC	CE	Q1ST	16	P	F	ZONE	LTR	REVISIONS	DATE	APPD
						B	B	REVISED PER 0500-3052	7-15-93	PV/RF
								DESCRIPTION		
								ASSEMBLY, MINI BNC CONNECTOR		



- 1 BULK PACKAGED IN QUANTITIES OF 50 PIECES.
- 2 MATERIAL:
 BOOT: THERMOPLASTIC
 BODY AND CRIMP SLEEVE: BRASS
 FERRULE: STAINLESS STEEL
- 3 FINISH:
 BODY, CRIMP SLEEVE AND NUT: NICKEL PLATED.



DR	8-26-92	B. BRIGGS
CHK	9-28-92	P. YEAGER
APPD	9-28-92	R. FOWLER
APPD	9-28-92	D. FISHER
PRODUCT SPEC		

1	125µm FERRULE	504002-6
1	140µm FERRULE	504002-5
1	140µm FERRULE	504002-4
1	125µm FERRULE	504002-3
1	140µm FERRULE	504002-2
1	125µm FERRULE	504002-1

ASSEMBLY, MINI BNC CONNECTOR

AMP
 AMP Incorporated
 Harrisburg, PA 17105-3608

DO NOT SCALE PRINT.
 UNLESS SPECIFIED
 DIMENSIONS IN mm (INCHES)
 TOLERANCES ON:
 2 PLG DEC # -
 3 PLG DEC # -
 ANGLES # -
 MATERIAL

FINISH

APPLICATION SPEC

SIZE CAGE CODE DRAWING NO
 SCALE 5:1 G=504002

METRIC

THIS DRAWING IS A CONTROLLED DOCUMENT FOR AMP INCORPORATED AND THE CONTROLLING ENGINEERING ORGANIZATION SHOULD BE CONTACTED FOR THE LATEST REVISION.