



21W DC-DC Power over Ethernet Splitter POE21 Gigabit IEEE802.3at Compliant Splitter



Features

- Compliant with the IEEE802.3at Standard
- DC Good LED
- Gigabit Compatible
- Full Protection OTP, OCP, OVP
- Works with any layer 1 IEEE802.3at Power Sourcing Equipment
- User Changeable Tips
- Non-Vented Case
- 1 Year Warranty

Applications

- IP Telephones
- Wireless Network Access Points
- Security Cameras
- IP Print Servers

Safety Approvals

- CE

Mechanical Characteristics

- Length: 100mm (3.97in)
- Width: 56mm (2.2in)
- Height: 27.9mm (1.1in)
- Weight: 0.142Kg (0.311lb)

Output Specifications

Model	DC Output Voltage	Output Current
POE21-120-R ¹	12V	1.75A
POE21-240-R ¹	24V	0.875A

Notes:

1. Can only be used with unshielded cables

INPUT:**Input Voltage Range**

Receives power from either data or spare pairs 45-57V DC

Input Current

0.6A (RMS) maximum

OUTPUT:**Regulation**

Line and Load $\pm 4\%$

Ripple

12V 120mVp-p

24V 240mVp-p

Efficiency

80% (typical) at maximum load 48V DC

O/P Voltage Protection

In case of output voltage overload, crowbar will short

ENVIRONMENTAL**Temperature**

Operation 0 to +40°C

Non-operation -20 to +65°C

Humidity 5 to 90%

Immunity

ESD: EN61000-4-2 Level 3

RS: EN61000-4-3 Level 2

EMC

Complies with FCC Class B

Complies with EN55032 Class B

Dielectric withstand (HI-POT) Test

Primary to secondary: 2121VDC for 1 minute
10mA

Insulation Resistance

Primary to secondary: >10M Ohm 500VDC

FEATURES:**Indicators**

GREEN LED – Output Good

Short Circuit Protection

Output can be shorted permanently without damage

Input and Output Data Connector

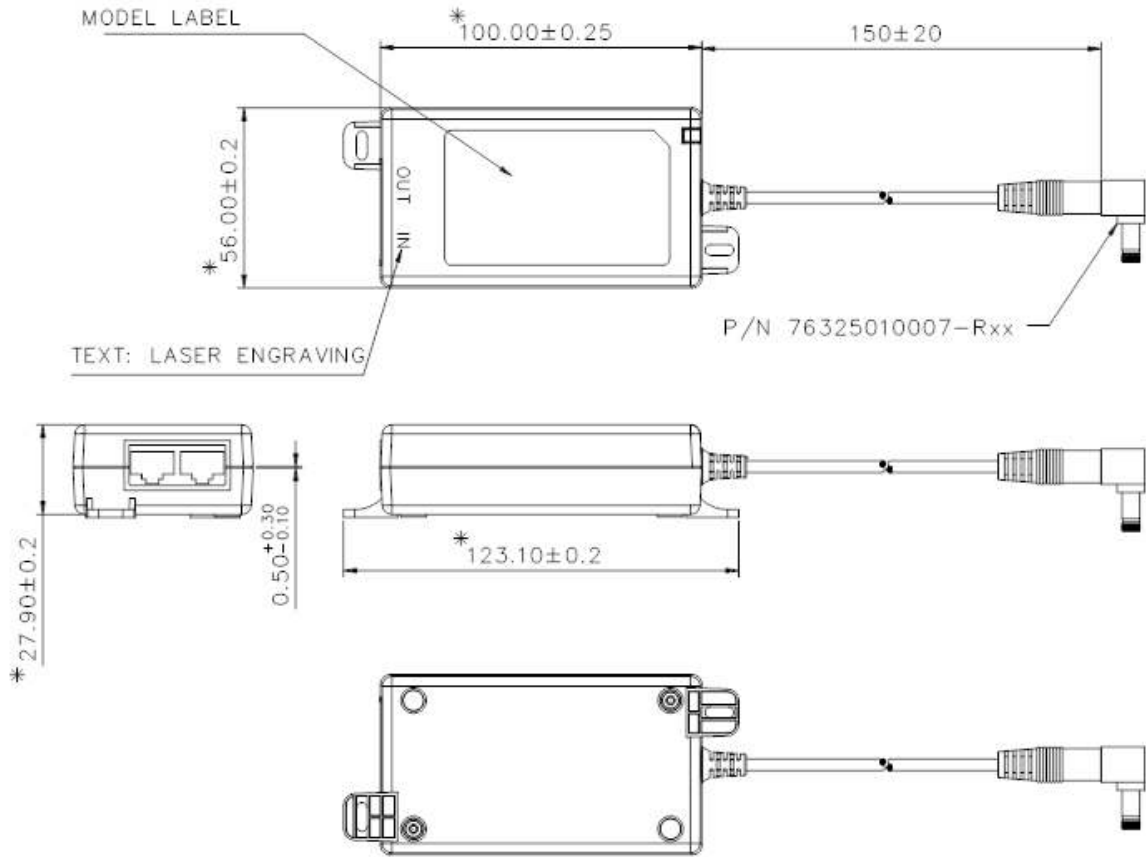
RJ45

Output Connector

Center Positive Barrel 12mm x 2.1mm x 5.5mm. Tip is user changeable for other sizes



Dimension Diagram Unit: mm



Supplier's Declaration of Conformity
47 CFR § 2.1077 Compliance Information

Phihong USA Corporation
47800 Fremont Boulevard
Fremont, CA 94538
Telephone: (510) 445-0100
www.phihong.com

NOTE: This model has/The models in this products series have been tested and found to comply with the limits for a Class B digital device, pursuant to part 15 of the FCC Rules. These limits are designed to provide reasonable protection against harmful interference in a residential installation. This equipment generates, uses and can radiate radio frequency energy and, if not installed and used in accordance with the instructions, may cause harmful interference to radio communications. However, there is no guarantee that interference will not occur in a particular installation. If this equipment does cause harmful interference to radio or television reception, which can be determined by turning the equipment off and on, the user is encouraged to try to correct the interference by one or more of the following measures:

- Reorient or relocate the receiving antenna.
- Increase the separation between the equipment and receiver.
- Connect the equipment into an outlet on a circuit different from that to which the receiver is connected.
- Consult the dealer or an experienced radio/TV technician for help.

Changes or modifications to equipment not expressly approved by PHIHONG could void the user's authority to operate the equipment.