

6

5

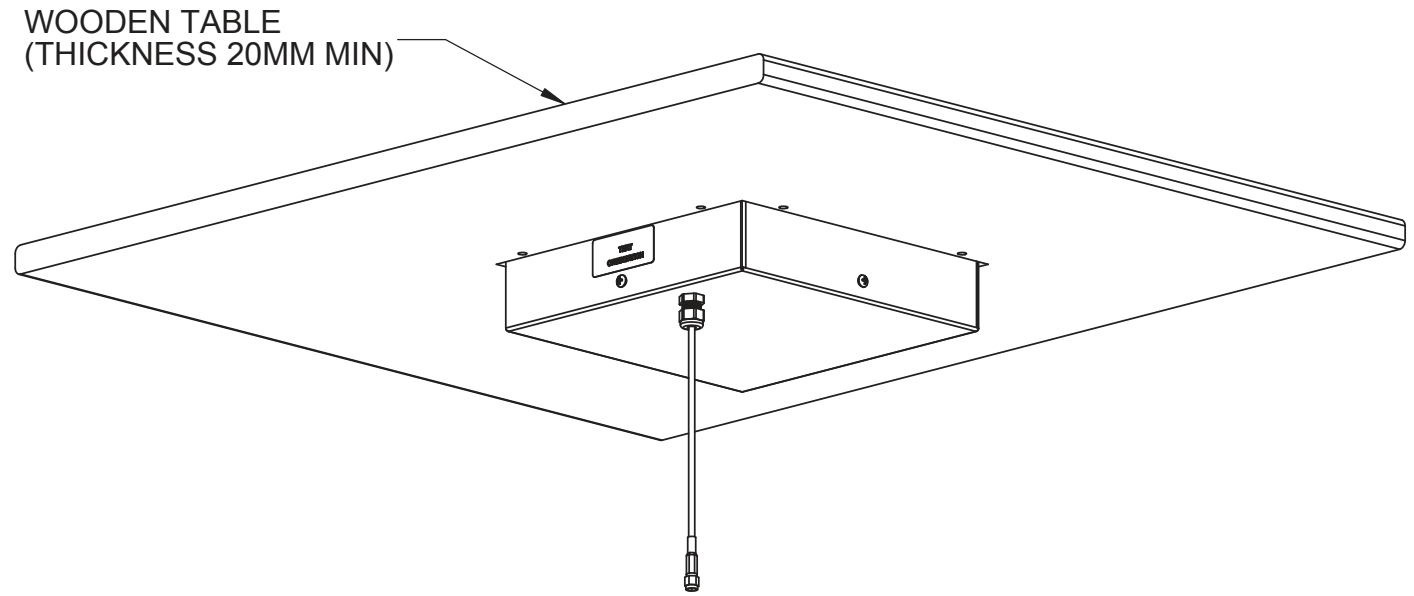
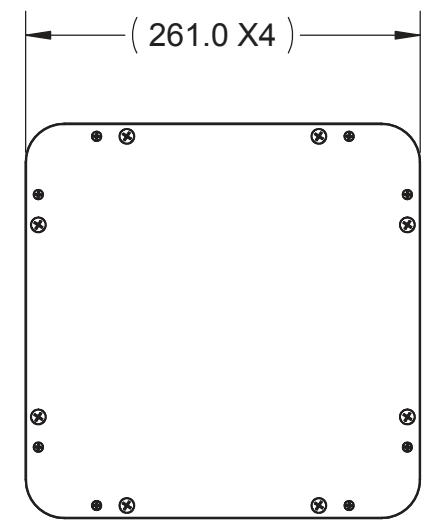
4

3

2

1

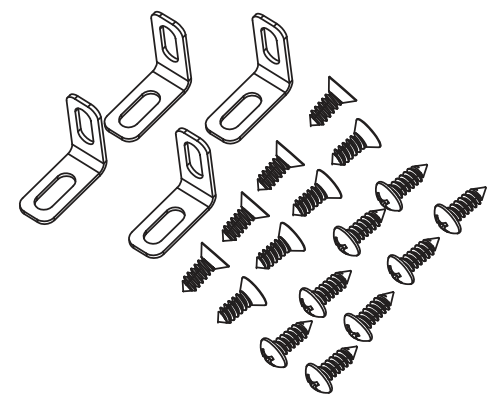
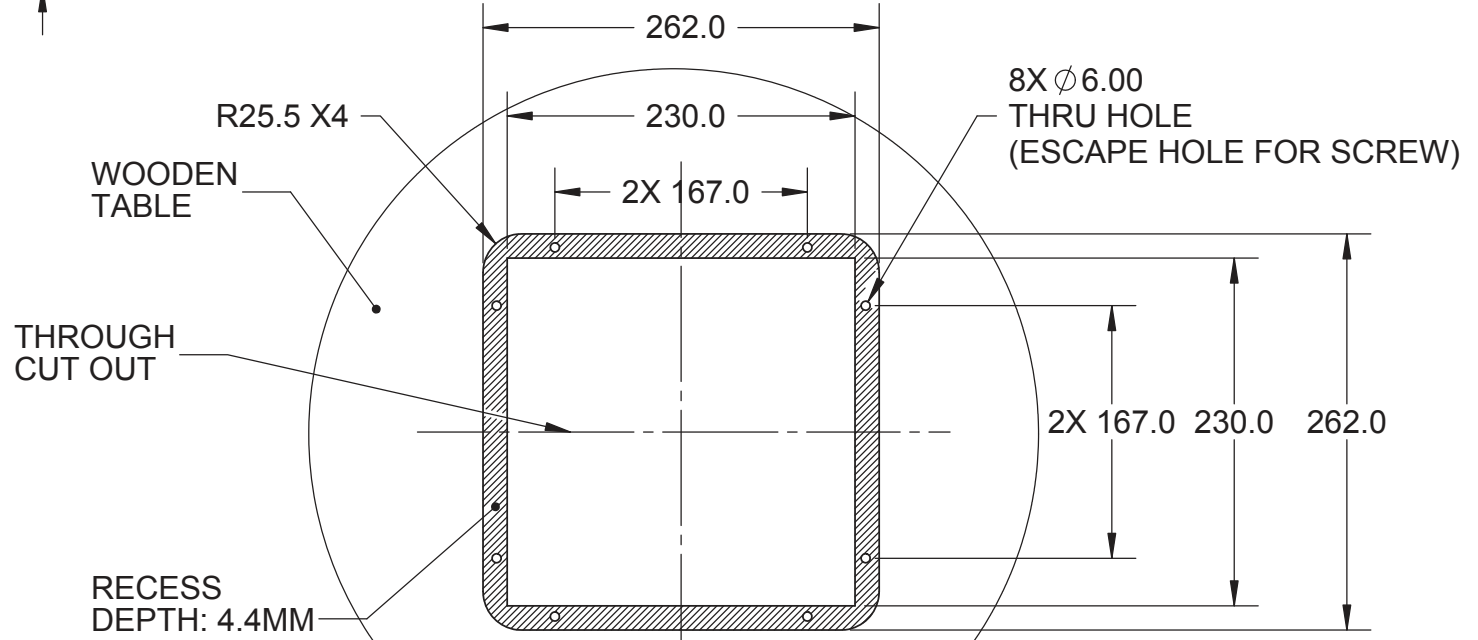
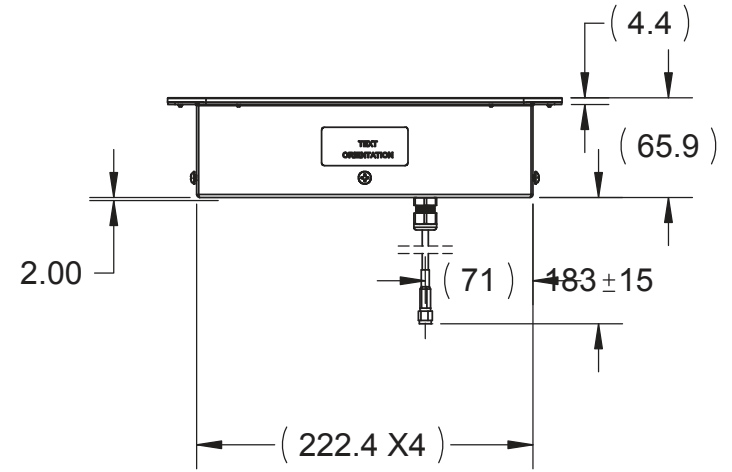
REVISIONS					
REV.	ECR#	ZONE	DESCRIPTION	CHANGED BY/DATE	APPROVED BY/DATE
AA			PRODUCTION RELEASE	WT NG 11-08-13	HANG 11-08-13



WOODEN TABLE
(THICKNESS 20MM MIN)

MOUNTED FLUSH TO TABLE TOP
 - CABLE ROUTE UNDER TABLE
 - MOUNTED FLUSH TO TABLE TOP WITH 8 COUNTERSINK SCREW M3X6MM.

Parameter	Specification
Antenna Part Number	PNL90206BC-183SMAM
Frequency Band	902 - 928 MHz
Gain	6 dBi peak
Polarization	Left Handed Circular Polarized
Impedance	50 ohm
VSWR	1.7:1
Power Rating	1 W (average) 10 W (peak)
Cable Type	RG-58 (White)
Total Cable Length	1830 ± 15mm
Connector Type	SMA, Male, Crimp Mount
Plastic Cover Color	Black
Unit Weight	1.40kg Approximately



HARDWARE KIT PER EACH UNIT

RECOMMENDED TABLE CUT OUT SIZE

MATERIAL: N/A		THIRD ANGLE PROJECTION	
FINISH: N/A		DO NOT SCALE DRAWING	
APPROVALS		DATE	
DRAWN BY	WT NG	08/30/10	
PROJ. ENG.	LL TEOH	09/01/10	
APPL. MECH.	GJ CHIN	09/01/10	
MFG.	CH FONG	09/01/10	
		INTERPRET DIMENSIONING AND TOLERANCING IN ACCORDANCE WITH ASME Y14.5M-2009	
		TOLERANCES UNLESS OTHERWISE SPECIFIED	
		DIMENSIONS ARE IN MILLIMETERS	
		ANGLE: ±30'	
		0 PLACE DECIMAL: ±0.5	
		1 PLACE DECIMAL: ±0.25	
		2 PLACE DECIMAL: ±0.13	
		SURFACE ROUGHNESS 1.6/√	

TE
connectivity

PNL90206BC-183SMAM

SIZE	DWG. NO.	REV
A3	PNL90206BC-183SMAMMO	AA
SCALE: 1:5	PREVIOUS#	SHEET 1 OF 2

THIS DRAWING IS UNPUBLISHED. RELEASED FOR PUBLICATION - . - .
 © Copyright 2022 TE Connectivity Ltd. ALL RIGHTS RESERVED.

6

5

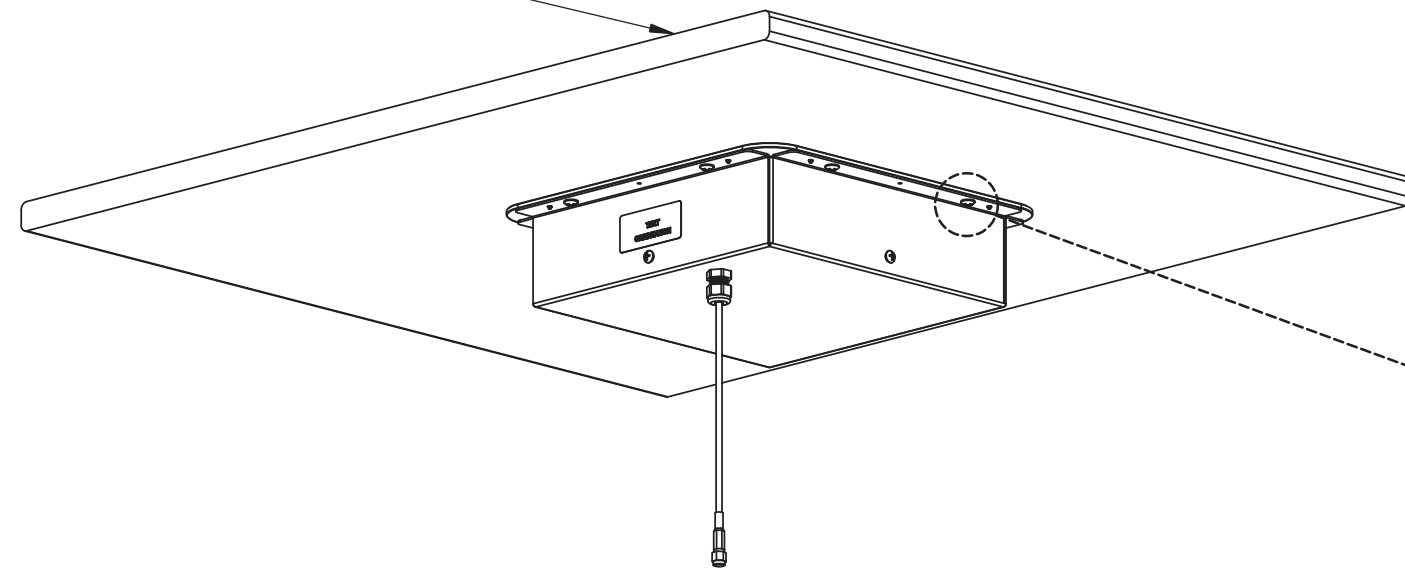
4

3

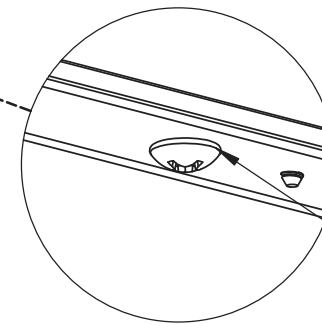
2

1

WOODEN TABLE
(THICKNESS 20MM MIN)



MOUNTED FLUSH TO UNDERSIDE OF TABLE
- CABLE ROUTE UNDER TABLE



DETAIL A
SCALE 1 : 1

8X PAN HEAD SCREWS,
M4.8X13MM, DIN7981C



SIZE	DWG. NO.	REV
A3	PNL90206BC-183SMAMMO	AA
SCALE: 1:5	PREVIOUS#	SHEET 2 OF 2