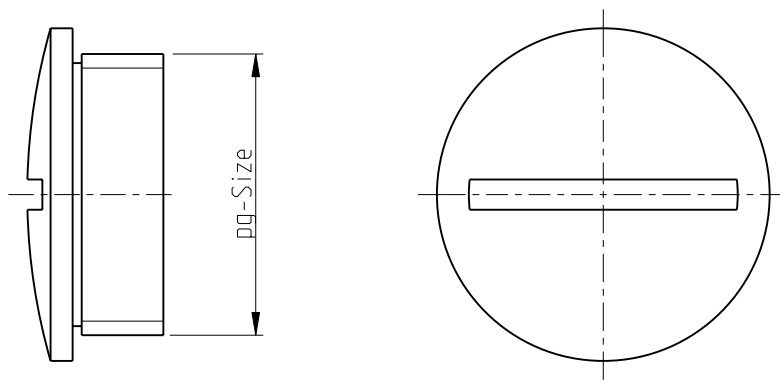


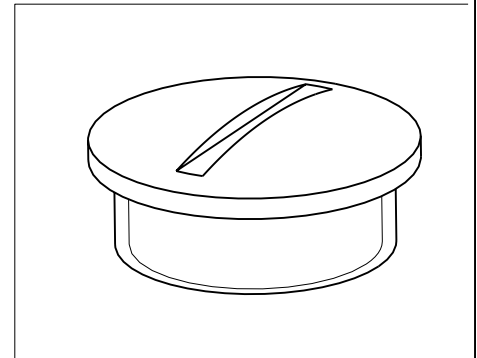
LOC A1	DIST -	REVISIONS			
P	LTR	DESCRIPTION	DATE	DWN	APVD
	B2	Released as per ECR-07-012890	01-06-07	SK	TS



NOTES

1 PARTS SHALL BE FREE AND CLEAN OF BURRS AND OTHER FOREIGN MATERIAL

2 PACKAGING
QUANTITY: 10 PIECES IN A BOX



7-3	BS.42.MS	Brass	Nickel plated	42	-
6-3	BS.36.MS	Brass	Nickel plated	36	-
5-3	BS.29.MS	Brass	Nickel plated	29	-
4-3	BS.21.MS	Brass	Nickel plated	21	-
3-3	BS.16.MS	Brass	Nickel plated	16	-
2-3	BS.13.MS	Brass	Nickel plated	13.5	-
1-3	BS.11.MS	Brass	Nickel plated	11	-
PART NO	DESCRIPTION	MATERIAL	SURFACE	PG-SIZE	DIA "A"

THIS DRAWING IS UNPUBLISHED. BY TYCO ELECTRONICS CORPORATION. ALL RIGHTS RESERVED. © COPYRIGHT

DIMENSIONS: mm		DWN Gräf	16.10.97	MATERIAL	-	FINISH	-												
TOLERANCES UNLESS OTHERWISE SPECIFIED: n.ISO 8015 n.ISO 2768-MH-E n.DIN 16901-120		CHK Schnurpfeil	16.10.97	Tyco Electronics Tyco Electronics, AMP, GmbH D-53819, Neunkirchen Germany															
		APVD	-																
<table border="0"> <tr> <td>0 PLC</td> <td>±</td> </tr> <tr> <td>1 PLC</td> <td>±</td> </tr> <tr> <td>2 PLC</td> <td>±</td> </tr> <tr> <td>3 PLC</td> <td>±</td> </tr> <tr> <td>4 PLC</td> <td>±</td> </tr> <tr> <td>ANGLES</td> <td>± -</td> </tr> </table>		0 PLC	±	1 PLC	±	2 PLC	±	3 PLC	±	4 PLC	±	ANGLES	± -	PRODUCT SPEC	-	NAME DEAD END PLUG			
0 PLC	±																		
1 PLC	±																		
2 PLC	±																		
3 PLC	±																		
4 PLC	±																		
ANGLES	± -																		
		APPLICATION SPEC	-	SIZE	A 4	CAGE CODE	00779	DRAWING NO	©- 1106056	RESTRICTED TO	-								
		WEIGHT	-	CUSTOMER DRAWING				SCALE	2:1	SHEET	1 OF 1	REV	B2						