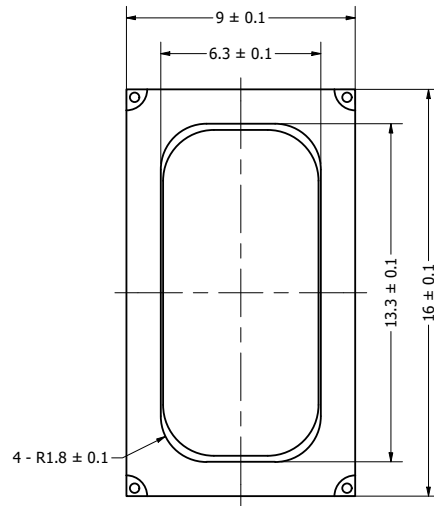
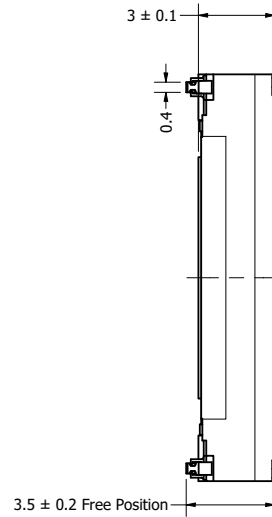


Part Number:	SM160807-1	
	DRAWN	7/31/2017
	CHECKED	8/24/2017
Description:	Dynamic Speaker	APPROVED
		C.E.
<small>This document contains data proprietary to DB Unlimited. Any use or reproduction, in any form, without prior written permission of DB Unlimited is prohibited. All terms and conditions can be found at www.dbunlimitedco.com</small>		

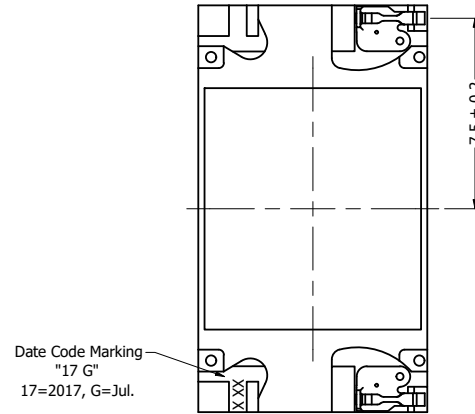
Top View



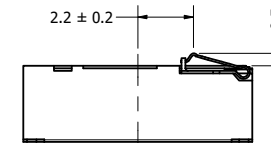
Side View (1)



Bottom View



Side View (2)



Items	Specifications	Conditions
Sound Pressure Level	93 ± 3	dB (@ 10cm)
Resonant Frequency	850	Hz
Frequency Range	650 ~ 10,000	Hz
Nominal Power	0.7	W
Max. Power	1	W
Impedance	7	Ω
Cone Material	PEEK	
Mount Type	Flush Mount	
Storage Temperature	-40 ~ +85	°C
Operating Temperature	-30 ~ +70	°C
Weight	1.5	g

REVISION HISTORY

REV	DESCRIPTION	DATE	APPROVED
	Released from Engineering	8/24/2017	C.E.
1	Updated date code location on bottom view	6/19/2019	C.E.

NOTES

- 1) All dimensions are in mm unless otherwise noted
- 2) All tolerances are ± 0.15 mm unless otherwise noted
- 3) All parts meet RoHS
- 4) Subject to change or redrawn without notice