

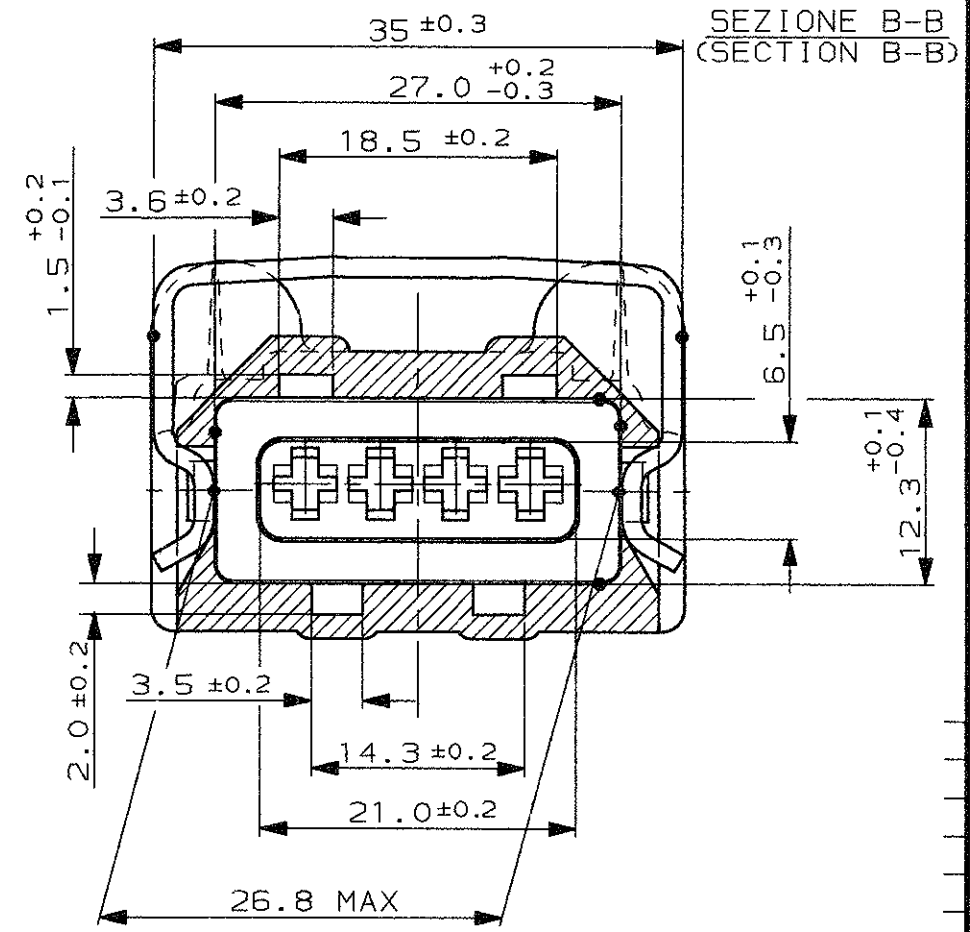
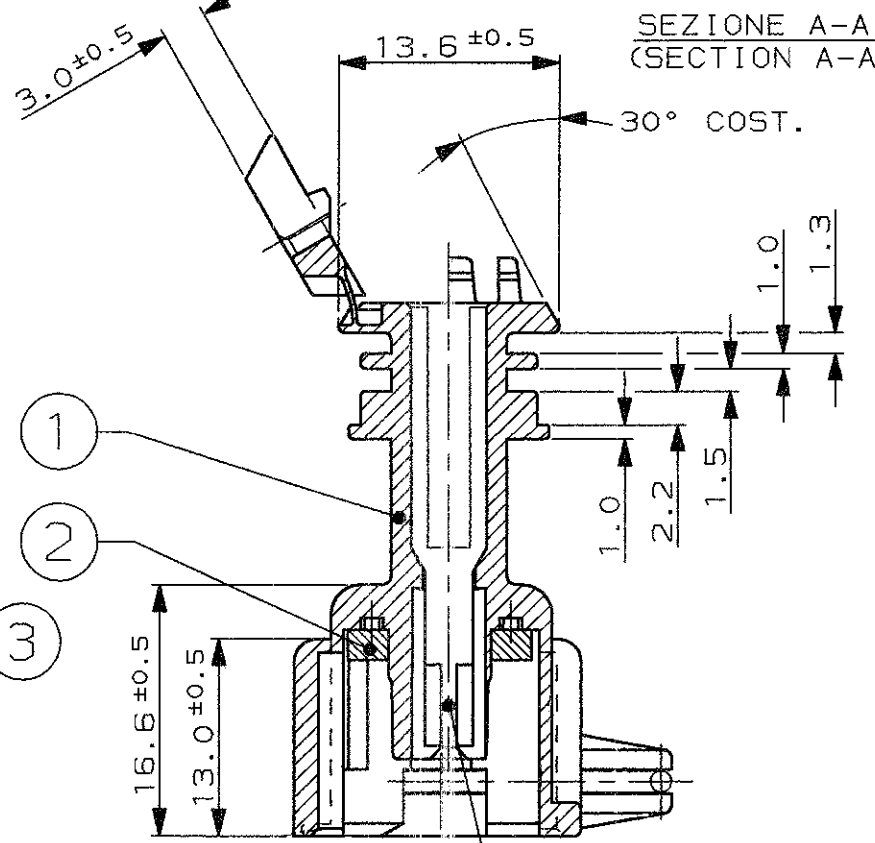
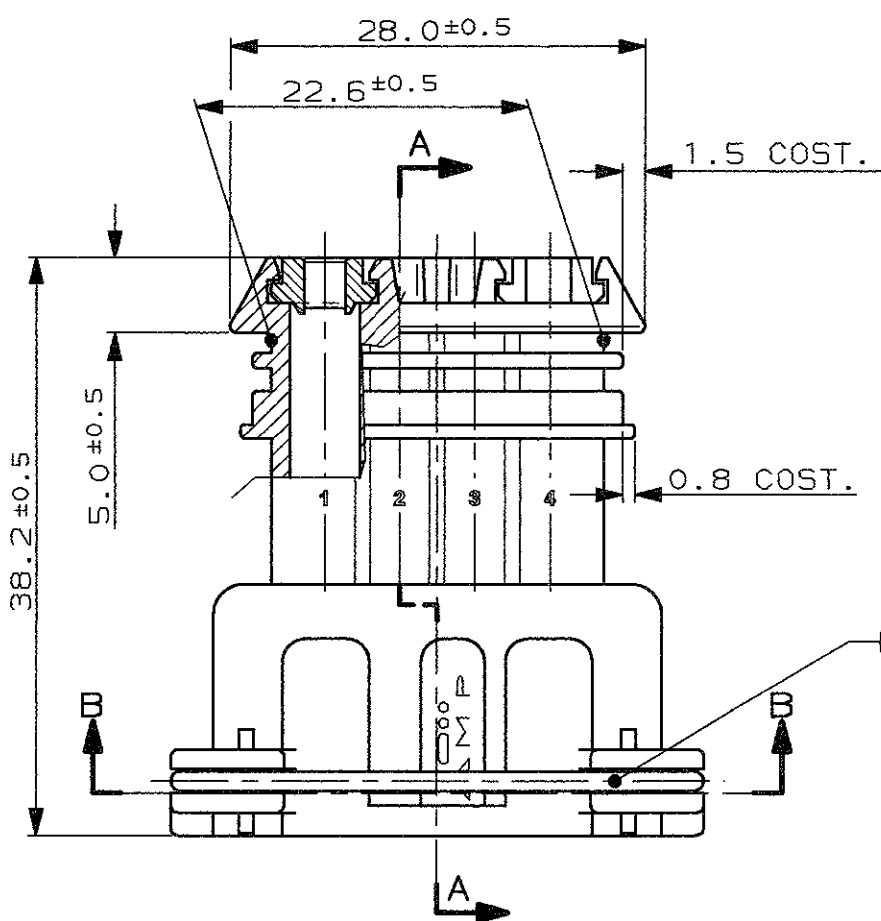
CONNETTORE TIPO A (CON MOLLA DI RITEGNO ESTERNA)  
CONNECTOR TYPE A (WITH EXTERNAL SPRING)

SCALA NON IMPEGNATIVA  
(DO NOT SCALE)  
DIMENSIONI IN mm  
(DIMENSIONS IN)

METRIC

PROIEZIONE EUROPEA  
(EUROPEAN PROJECTION)

A  
B  
C  
D  
E

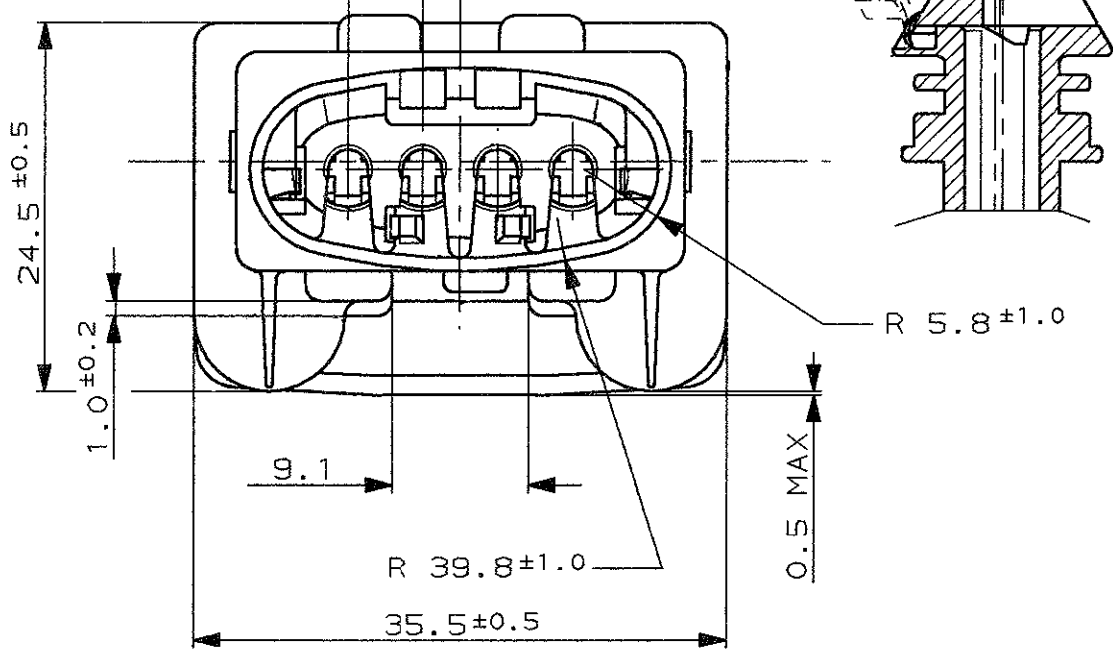


TIP. CAVITA' PER TERMINALI AMP JPT P/N 929939-...  
OPPURE 929937-... E RELATIVI GOMMINI  
P/N 828904-1, 828905-1, 282536-1.  
TAPPO CAVITA' P/N 828906-2  
(TYP. CAV. FOR JPT CONT. P/N 929939-... A/O 929937-... AND REL.  
SINGLE WIRE SEAL P/N 828904-1, 828905-1, 282536-1  
CAVITY PLUG P/N 828906-2)

ASSE CONNETTORE  
(CONNECTOR CENTER LINE)

ASSE CAVITA'  
(CAVITY CENTER LINE)

PASSO 5.0±0.15 TIP.  
(PITCH 5.0±0.15 TYP.)



ROSSO (RED)	---					
GIALLO (YELLOW)	---					
MARRONE (BROWN)	282192-3	N	3	///////	ACCIAIO INOX (STAINLESS STEEL)	
BLU (BLUE)	---				MOLLA (SPRING)	
VERDE (GREEN)	---					
NATURALE (NATUR)	---		2	NATURALE (NATURAL)	GOMMA (RUBBER)	
GRIGIO (GREY)	282192-2				GUARNIZIONE (RUBBER GASKET)	
NERO (BLACK)	282192-1	N	1	///////	PA 6.6	
COLORE COLOR	NUMERO PART N°	ASSY REV.	N° (ITEM)	FINITURA / COLORE (FINISH / COLOUR)	MATERIALE (MATERIAL)	DESCRIZIONE (DESCRIPTION)

CUSTOMER DWG. FOR REFERENCE ONLY  
DISEGNO PER CLIENTE SOLO PER RIFERIMENTO

THIS DRAWING IS UNPUBLISHED | RELEASE FOR PUBLICATION

TOLLERANZE, SE NON DIVERSAMENTE SPECIFICATO (TOLERANCES, UNLESS OTHERWISE SPECIFIED)	DIAM. ISOLANTE (INS. DIA. RANGE) 1.5-3.0 (REDUCED INS. CABLE)	RANGO FILO (WIRE RANGE) 0.5-2.5 mm <sup>2</sup>	SCALA (SCALE) ***
---	--	---	-------------------------

± 0.3  
ANGOLI (ANGLES) ± 2°

DIS. NOV. 9.'90 (COR.)  
Ennio CINI

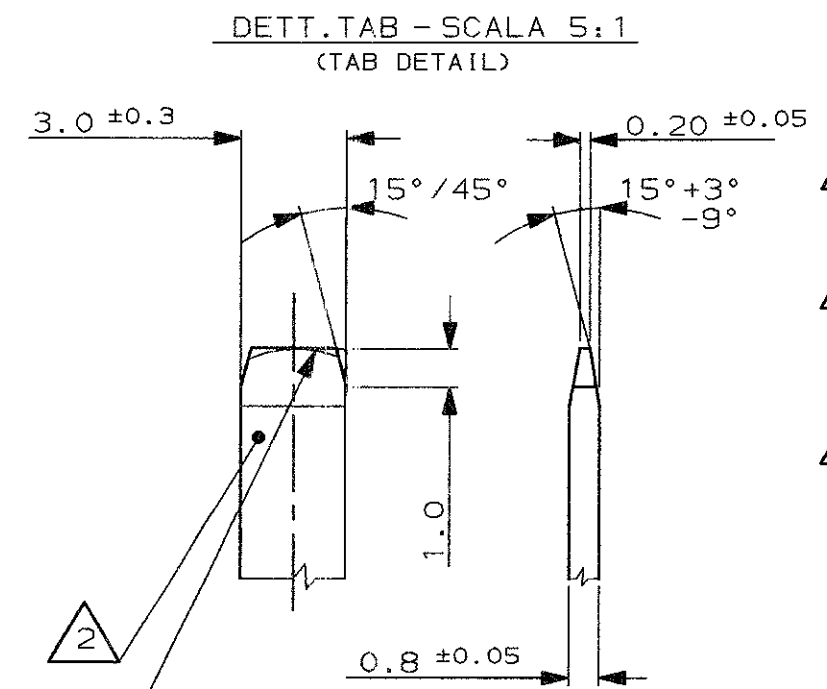
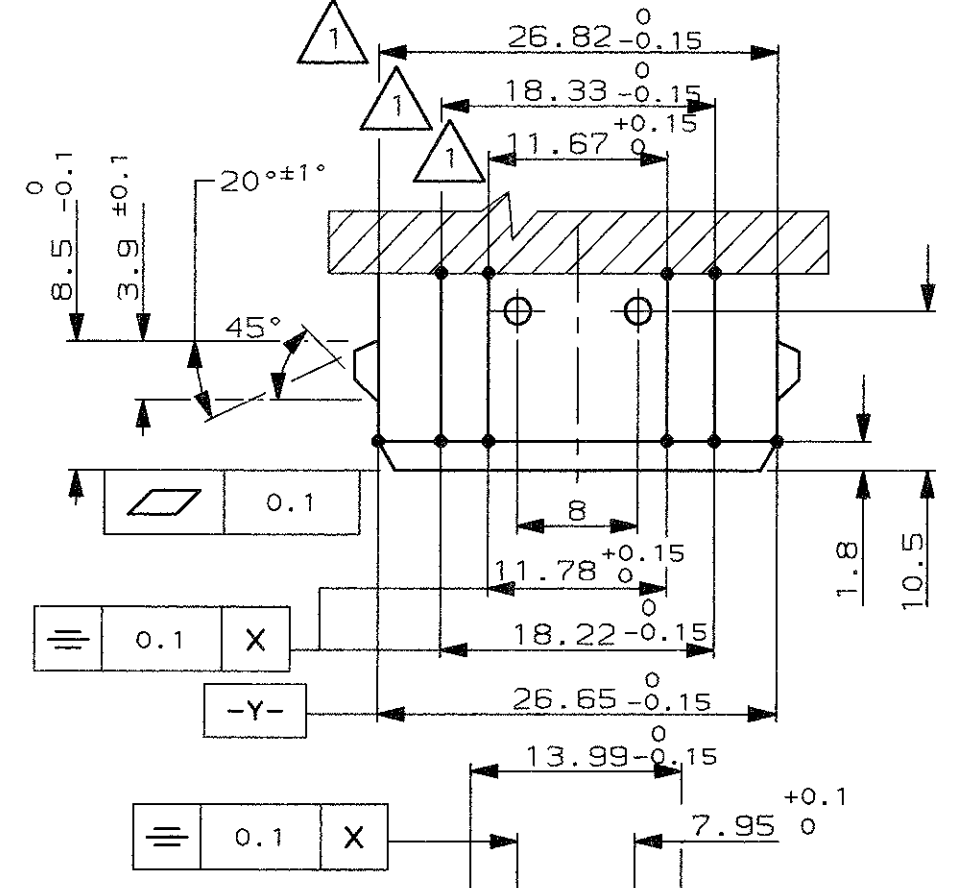
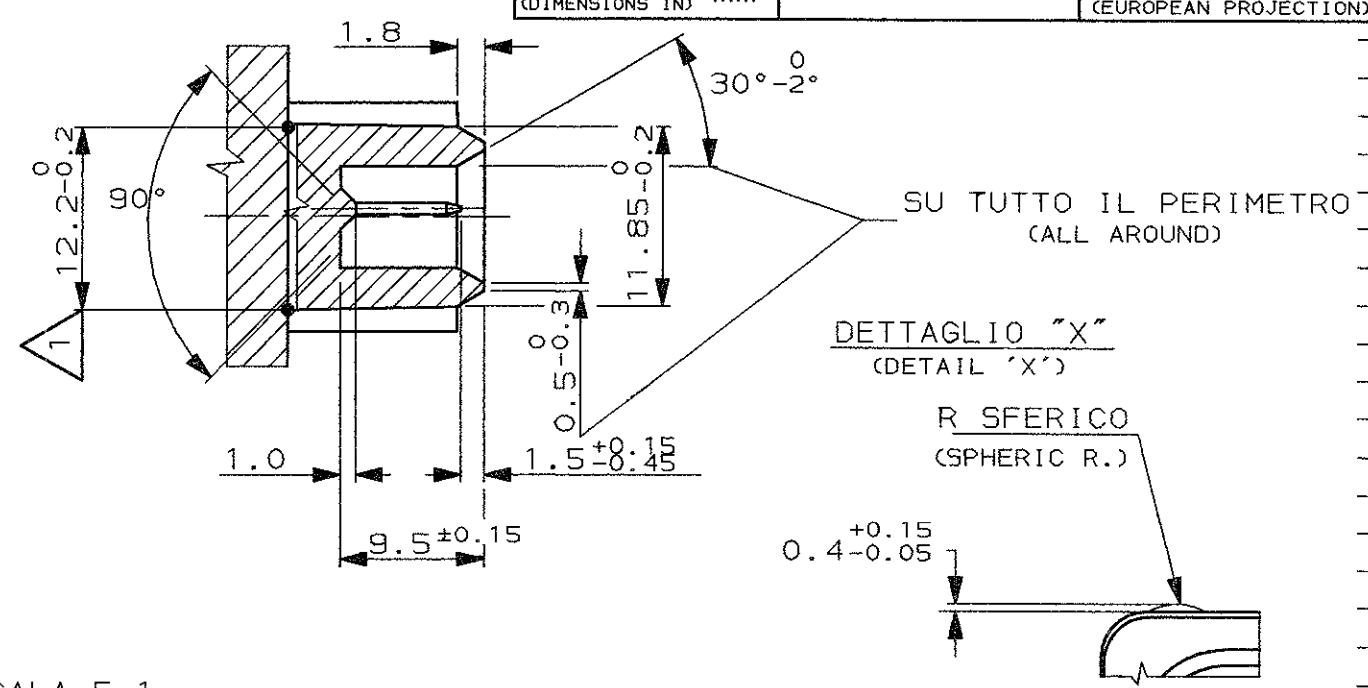
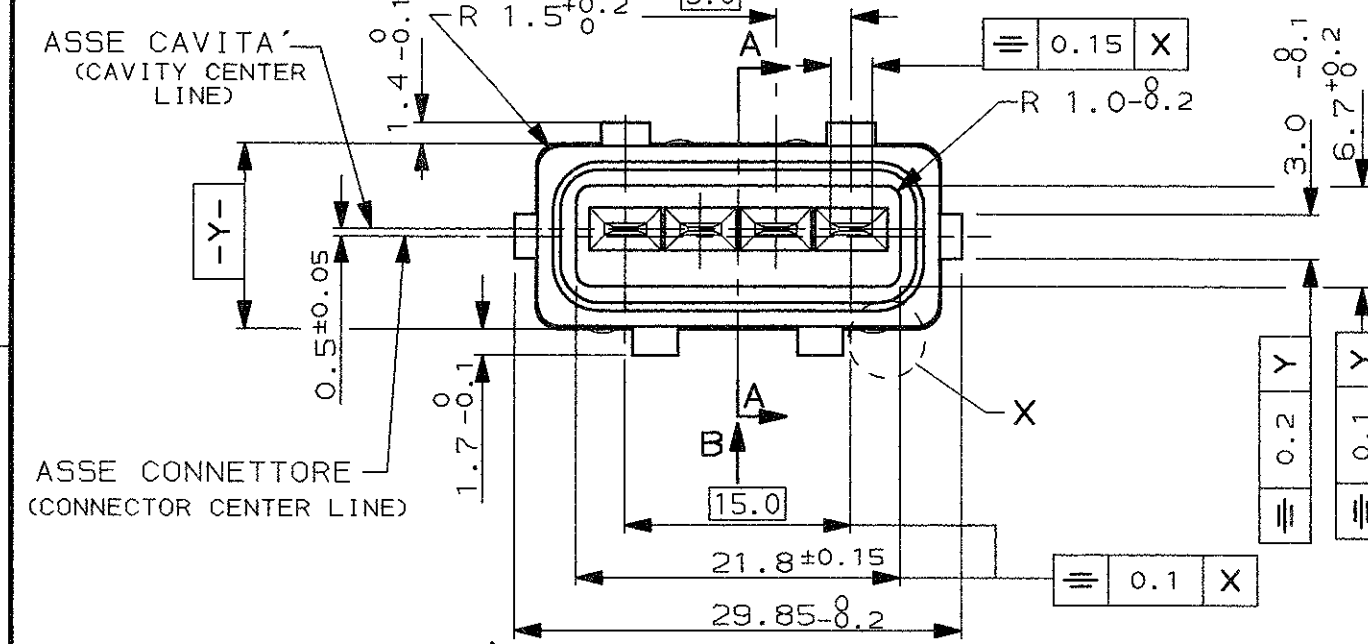
DESCRIZIONE (DESCRIPTION)  
4 W. SPLASH PROOF CONN. ASS'Y  
with SECONDARY LOCK

N1	REVISED PER ECO-20-003216	VN	07MAY2020
N	ECR-14-003472	MP	24MAR14
M2	REVISED PER ECO-11-005033	RK	5APR11
REV. (REV. N°)	REVISIONI (REVISION RECORD)	DIS. (DR)	DATA (DATE)

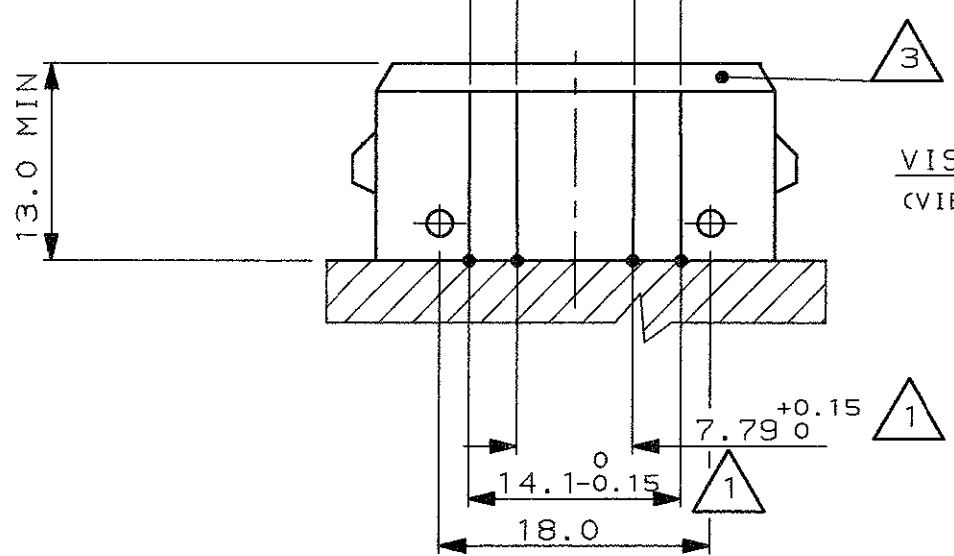
LOC. SIZE NUMERO (DWG NO)  
I A3 C-282192

REV. N1  
FOGLIO (SHEET) 1 D1 (CF) 2

DISTRIBUZIONE  
(PRINT DIST.)



- 1 QUOTE APPLICABILI PER SFORMATURA PEZZO (DRAFT PERMITTED TO FACILITATE REMOVAL OF PART FROM THE MOULD)
- 2 MATERIALE LINGUETTE: LEGA DI RAME STAGNATA, ES. OTTONE STAGNATO. (TAB CONTACT MATERIAL: TIN PLATED COPPER ALLOY. E.G. BRASS TIN PLATED)
- 3 MATERIALE BLOCCHETTO: TERMOPLASTICO CARICATO FIBRA VETRO. (HOUSING MATERIAL: THERMOPLASTIC, GLASS FIBER FILLED)



FINITURA / COLORE (FINISH / COLOUR)	MATERIALE (MATERIAL)	NUMERO (PART NUMBER)
CUSTOMER DWG. FOR REFERENCE ONLY	DISEGNO PER CLIENTE SOLO PER RIFERIMENTO	
THIS DRAWING IS UNPUBLISHED		RELEASE FOR PUBLICATION
TOLLERANZE: SE NON DIVERSAMENTE SPECIFICATO (TOLERANCES: UNLESS OTHERWISE SPECIFIED)	DIAM. ISOLANTE (INS. DIA. RANGE)	RANGO FILO (WIRE RANGE)
± 0.3	---	---
ANGOLI (ANGLES)	SCALA (SCALE)	
± 2°	---	
DIS. (DR.)	DESCRIZIONE (DESCRIPTION)	
CONT. (CHK)	4 POS. SPLASH PROOF CONN. ASS'Y with SECONDARY LOCK	
APP. (APP.)	LOC. (LOC.)	SIZE (SIZE)
---	I	A3
---	---	NUMERO (DWG NO)
---	---	C-282192
---	---	REV. (REV.)
---	---	N1
---	---	Foglio (SHEET)
---	---	2 DI 2 (2 OF 2)

SEE SHEET 1 OF 2

REV. (REV.)	REVISIONI (REVISION RECORD)	DIS. DATA (DR. DATE)
---	---	---

DISTRIBUZIONE (PRINT DIST.)