

## CI08E-05S270-C-1

Rev. 2-2023  
RoHS3 & REACH  
Electromagnetic Indicators



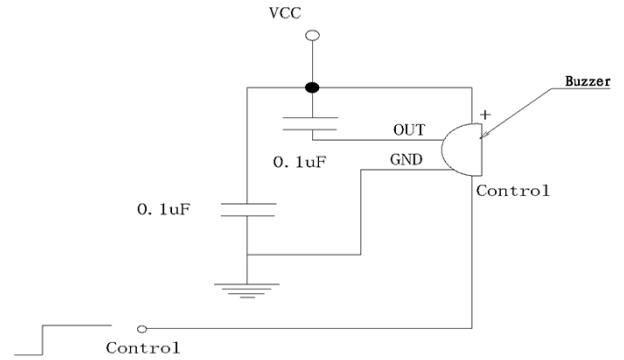
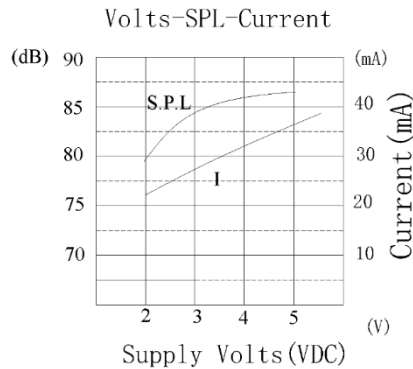
### Operating Characteristics

#### ELECTRICAL

Rated Voltage	3 VDC
Operating Voltage	2 to 5 VDC
Max Current at Vrated	40 mA

#### ACOUSTIC

Tone Category	Continuous
Description	Steady
Center $f$	2700 $\pm$ 100 Hz
Min SPL at Vrated	82 dB
Test Conditions	10 cm



Recommended Drive Circuit

### Physical Characteristics

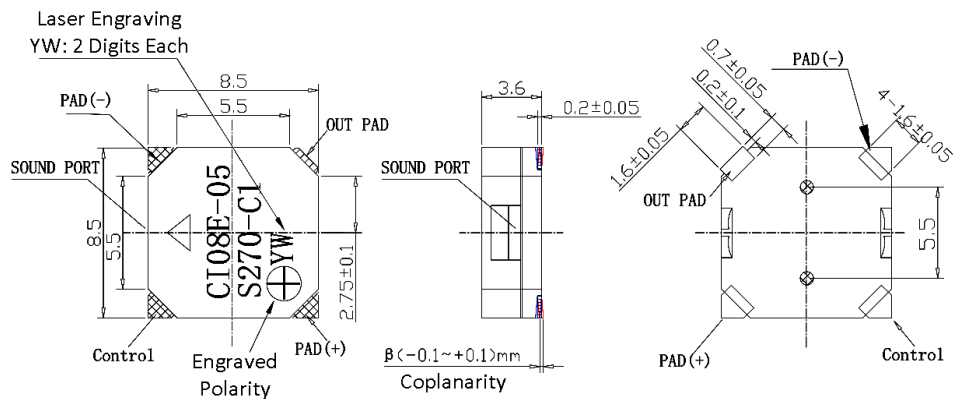
#### MATERIALS

Housing	LCP
Diaphragm	Iron
Solder Pads	Brass

#### TEMPERATURE RANGES

Operating	-40 to +85 °C
Storage	-40 to +85 °C

Weight 0.8 g



Control Pin: Connect high (+) to produce sound and connect low (-) for no sound

General tolerance =  $\pm 0.3$  mm and all measurements in mm unless otherwise noted.

Revision	Description	By	Date
1-2023	Added recommended drive circuit. Updated engraving in mechanical drawing. Updated from 2-Dummy Pads to 1 Control Pad and 1 Out Pad and rearranged pad layout in recommended footprint.	JL	2023-04-11
2-2023	Added part image.	SK	2023-05-05

Warranty: For a period of one (1) year from date of shipping under normal operations conditions. This warranty does not apply to products damaged through misuse, abuse, improper installation, alteration, rework, or attempt to repair.

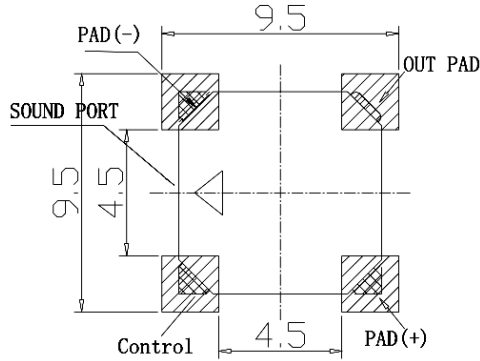
The information contained herein is believed to be correct, but no guarantee or warranty, express or implied, with respect to accuracy, completeness or results is extended and no liability is assumed. Challenge Electronics reserves the right to make changes in any specification, data or material contained herein.

## CI08E-05S270-C-1

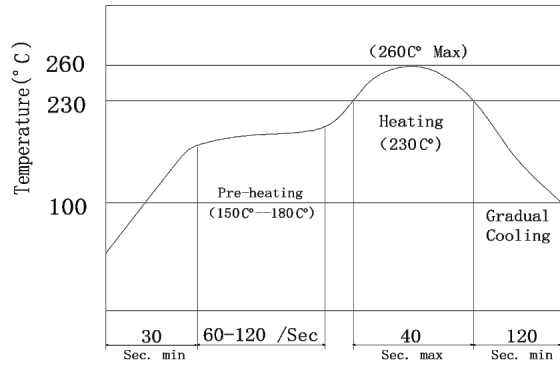
Rev. 2-2023  
RoHS3 & REACH  
Electromagnetic Indicators



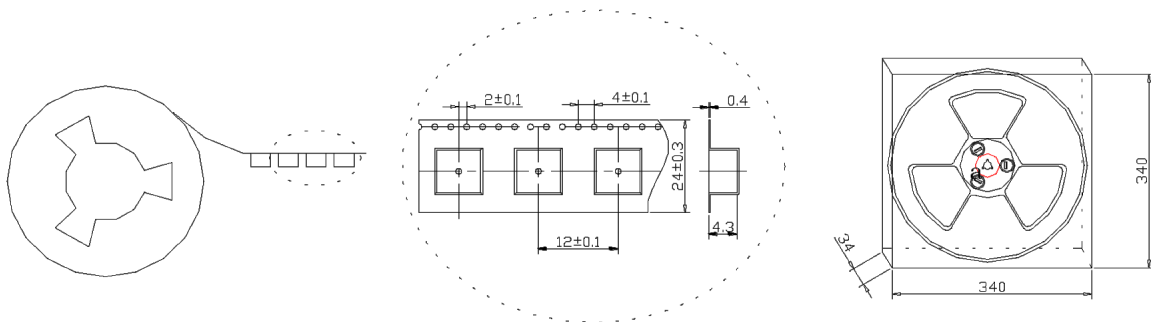
### Recommended Footprint



### Recommended Reflow Profile



### Tape & Reel Packaging



1000 pieces per reel, 5 reels per container, 5000 pieces total

Revision	Description	By	Date
1-2023	Added recommended drive circuit. Updated engraving in mechanical drawing. Updated from 2-Dummy Pads to 1 Control Pad and 1 Out Pad and rearranged pad layout in recommended footprint.	JL	2023-04-11
2-2023	Added part image.	SK	2023-05-05

Warranty: For a period of one (1) year from date of shipping under normal operations conditions. This warranty does not apply to products damaged through misuse, abuse, improper installation, alteration, rework, or attempt to repair.

The information contained herein is believed to be correct, but no guarantee or warranty, express or implied, with respect to accuracy, completeness or results is extended and no liability is assumed. Challenge Electronics reserves the right to make changes in any specification, data or material contained herein.