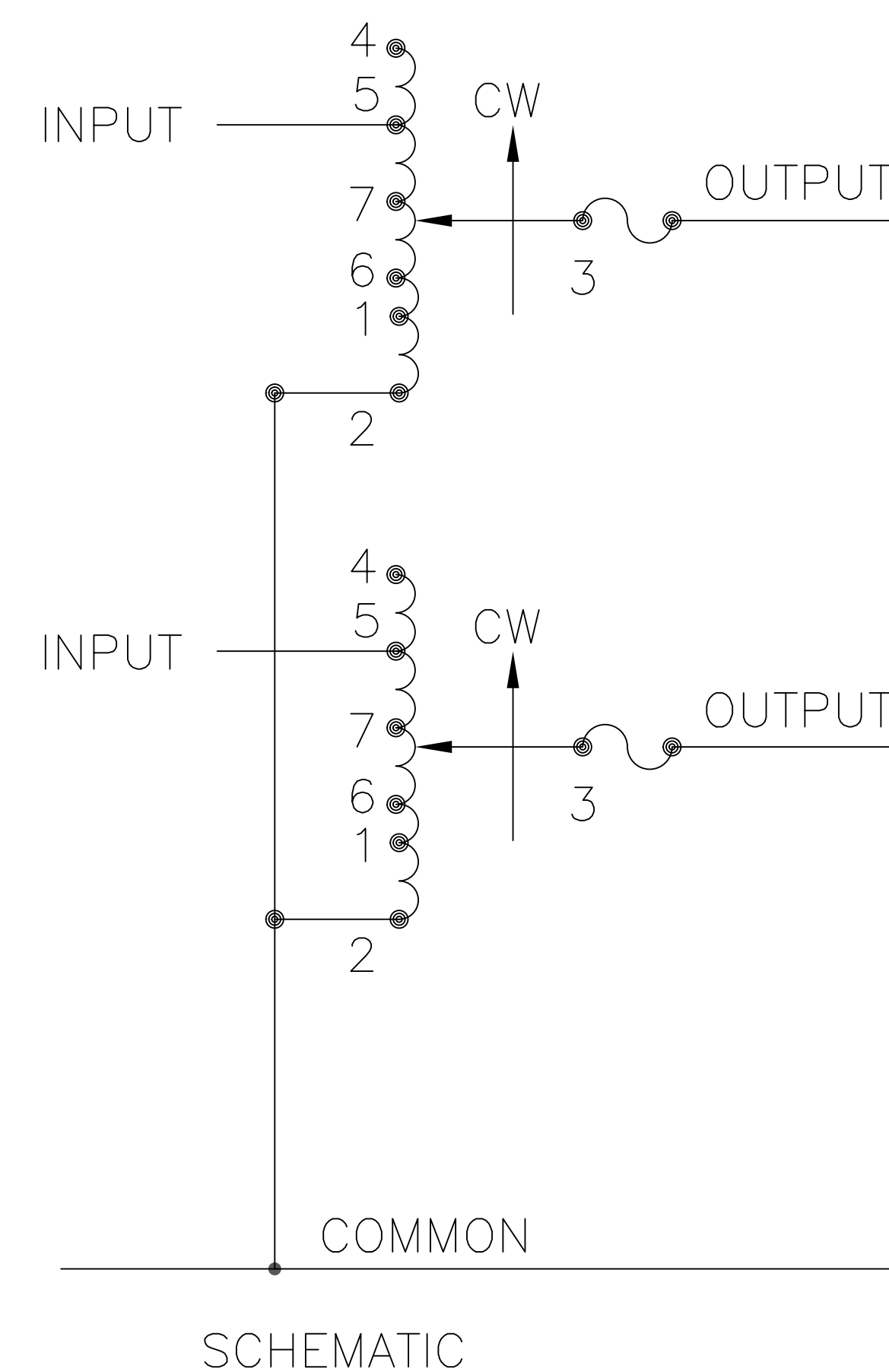


NOTES:

- JUMPER PROVIDED IN THE STANDARD COMMON POSITION AND SHOULD BE MOVED OR REMOVED AS REQUIRED.
- IF GANGED UNITS ARE USED IN A SYSTEM THAT ORDINARILY HAS A COMMON NEUTRAL OR GROUND BETWEEN SOURCE AND LOAD, THE NEUTRAL OR GROUND MUST BE CONNECTED TO THE COMMON TERMINALS OF THE VARIABLE TRANSFORMER ASSEMBLY. IF THE SYSTEM HAS NO NEUTRAL, THE LOAD MUST BE BALANCED OR THE TRANSFORMER WILL BE DAMAGED.
- MAXIMUM OUTPUT CURRENT IN OUTPUT VOLTAGE RANGE FROM 0 TO 25% ABOVE LINE VOLTAGE. AT HIGHER OUTPUT VOLTAGES, THE OUTPUT CURRENT MUST BE REDUCED ACCORDING TO THE DERATING CURVE FIGURE A.
- MAXIMUM KVA AT MAXIMUM OUTPUT VOLTAGE AND CORRESPONDING DERATED OUTPUT CURRENT. MAXIMUM KVA FOR LOWER VOLTAGES MAY BE CALCULATED FROM DERATING DERATING CURVED FIGURE A.



NOTE: FUSE RECOMMENDED BUT NOT SUPPLIED

WIRING	SPECIFICATIONS								TERMINAL CONNECTIONS		
	INPUT		OUTPUT				SHAFT ROTATION TO INCREASE VOLTAGE	FOR INCREASING VOLTAGE AS VIEWED FROM BASE END			
	VOLTS	HERTZ	VOLTS	CONSTANT CURRENT LOAD MAX. AMPS	CONSTANT IMPEDANCE LOAD MAX. KVA	INPUT		JUMPER	OUTPUT		
SINGLE PHASE SERIES	480	50/60	0-480	9.5	4.56	12	5.76	CW	2-2	4-4	3-3
			0-560	9.5	5.32	—	—	CCW	4-4	2-2	3-3
	240	50/60	0-560	9.5#	2.28\$	—	—	CW	1-1	4-4	3-3
			0-280	9.5	4.61	—	—	CCW	5-5	2-2	3-3
THREE PHASE OPEN DELTA π	240	50/60	0-240	9.5	3.95	12	5.0	CW	7-7	4-4	3-3
			0-280	9.5#	1.98\$	—	—	CCW	6-6	2-2	3-3
	120	50/60	0-240	9.5	3.95	12	5.0	CW	2-4-2	4-4	3-4-3
			0-280	9.5	4.61	—	—	CCW	4-2-4	2-2	3-2-3

UNLESS OTHERWISE SPECIFIED, TOLERANCE IS ±
 DECIMALS HOLES ANGLES DRAFT
 .XX ±.010 ±.06 .002 1° 1-1/2°
 .XXX .005

MATERIAL : ALL DIMENSIONS APPLY AFTER PLATING

TITLE: SPEC. CONTROL DWG. VARIABLE TRANSFORMER TYPE: 1520C-2

STACO ENERGY PRODUCTS CO. DAYTON, OHIO U.S.A.

DRAWN BY: TIM RAU DATE: 4/23/96 FIRST USED ON: DO NOT SCALE DWG. CUSTOMER APPROVAL: DATE:

CHECKER: DATE: WEIGHT APPROX. 35.25 LBS CODE IDENT. NO. 83008 DWG. SIZE C DWG. NO. 031-3962

ENGINEER: DATE: SCALE .5=1 SHEET 1 OF 1