

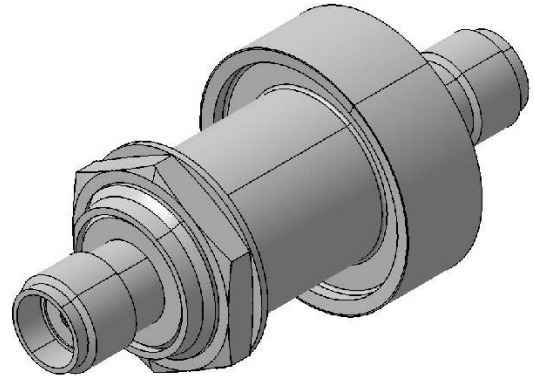
EMP Protector 3406.19.0003

Description

Slim Line GDT technology

Benefits

- Broad-band design
- DC continuity for remote powering
- The protector can also be installed reversely
- Fix installed GDT, static sparkover-voltage nom. 200 V
- Compliant to IEC 61643-21



Product Configuration

Main path connectors Port 1: unprotected, SMA jack (female) - Port 2: protected, SMA jack (female)
Mounting and grounding MH3 (bulkhead mounting), brk (bracket)

Technical Data

Electrical Data

Impedance	50 Ω		
Frequency range	0 - 5800 MHz	0 - 5600 MHz	5600 - 5800 MHz
Return loss	≥ 18.5 dB	≥ 20 dB	≥ 18.5 dB
Insertion loss	≤ 0.2 dB	≤ 0.2 dB	≤ 0.2 dB
RF CW power	≤ 60 W		
PIM 3rd order	not specified		

Surge current handling capability 10 single / 5 multiple kA (test pulse 8/20 μs)
Residual pulse energy 250 μJ typically (test pulse 4 kV 1.2/50 μs / 2 kA 8/20 μs) main path - protected side

Mechanical Data

Number of matings 500
Weight 24 g

Environmental Data

Operating temperature -40 °C to +85 °C
Waterproof degree IP20 (according to IEC 60529, data refer to the coupled state)
2011/65/EU (RoHS - including compliant acc. Annex III
2015/863 and 2017/2102)

Material Data

Piece Parts	Material	Surface Plating
Housing	Brass	Silver / Gold Plating
Port 1 center contact	Copper Beryllium Alloy	Gold Plating (without Nickel underplating)
Port 2 center contact	Copper Beryllium Alloy	Gold Plating (without Nickel underplating)

Related Documents

Outline drawing DOU-00004280.1
Mounting instruction DOC-0000176104

Remarks

Waterproof degree for unprotected side in mated condition: IP65 acc. IEC 60529.