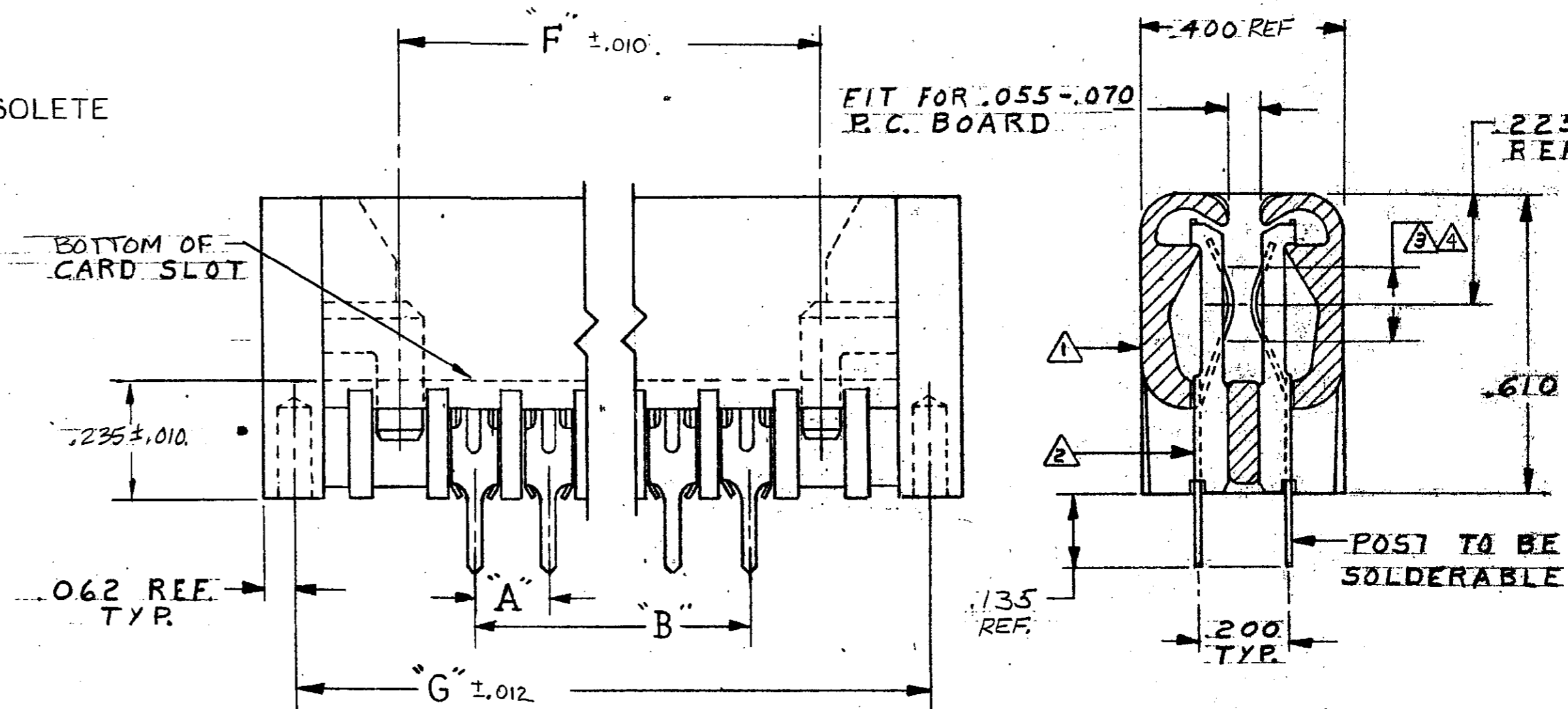


Unpublished copy for information only. No reproduction or use without permission of AMP.

PART NO	NO. OF POS.	A	B	F	G
583692-1	30	.150	4.350	4.650	5.084
2	3		.300	.600	1.034
3	4		.450	.750	1.184
4	5		.600	.900	1.334
5	6		.750	1.050	1.484
6	7		.900	1.200	1.634
7	8		1.050	1.350	1.784
8	9		1.200	1.500	1.934
9	10		1.350	1.650	2.084
1-583692-0	11		1.500	1.800	2.234
1	12		1.650	1.950	2.384
1	13		1.800	2.100	2.534
1	14		1.950	2.250	2.684
1	15		2.100	2.400	2.834
1	16		2.250	2.550	2.984
1	17		2.400	2.700	3.134
1	18		2.550	2.850	3.284
1	19		2.700	3.000	3.434
1	20		2.850	3.150	3.584
2-583692-0	21		3.000	3.300	3.734
2	22		3.150	3.450	3.884
2	23		3.300	3.600	4.034
2	24		3.450	3.750	4.184
2	25		3.600	3.900	4.334
2	26		3.750	4.050	4.484
2	27		3.900	4.200	4.634
2	28		4.050	4.350	4.784
2	29		4.200	4.500	4.934
2	31		4.350	4.600	5.234
3-583692-0	32		4.650	4.950	5.384
3	33		4.800	5.100	5.534
3	34		4.950	5.250	5.684
3	35		5.100	5.400	5.834
3	36		5.250	5.550	5.984
3	37		5.400	5.700	6.134
3	38		5.550	5.850	6.284
3	39		5.700	6.000	6.434
3	40		5.850	6.150	6.584
3	41		6.000	6.300	6.734
4-583692-0	42		6.150	6.450	6.884
4	43		6.300	6.600	7.034
4	44		6.450	6.750	7.184
4	45		6.600	6.900	7.334
4	46		6.750	7.050	7.484
4	47		6.900	7.200	7.634
4	48		7.050	7.350	7.784
4	49		7.200	7.500	7.934
4-583692-8	50	.150	7.350	7.650	8.084
4-583692-9	55	.150	8.100	8.400	8.834
5-583692-0		OBSOLETE			
5-583692-1	10	.150	1.350	1.650	2.084

OBSOLETE



- 1. GLASS FILLED POLYESTER, COLOR BLACK
- 2. PHOSPHOR BRONZE
- 3. .000015 GOLD, SELECTIVE
- 4. .000050 GOLD, SELECTIVE

ZONE	LTR	DESCRIPTION	DATE	APPROVED
	B	REDRAWN & REVISED 3763 DR	1-30-78	DR
	C	REVISED 3791 MS	4-26-78	MS
	C1	ADDED 5--0 4384 m.s.	3-26-78	DR
	D	REVISED MATL 4657 m.s.	1-12-76	DR
	E	OBSOLETE 5--0 6513 m.s.	2-80	
	E1	ADD 5--17 85-14261	10-16-85	GS/NWR
	F	REV PER AD1583	3/12/87	CP LEW
	G	REV PER AD 1633	6-25-87	
	H	REV PER AD 1698	8-5-87	LEW
	J	REV PER AD 1868	3/88	LEW
	K	REV PER AD 2949	1/88	LEW/HWR
	L	REV PER AD 3150	2/89	LEW/HWR
	M	REACTIVATE 2-3 AD4154	12/89	CP/HWR
	N	REV PER AD 3493	3/90	CS/HWR
	P	REACTIVATE -6 AD4799	6/90	CP/HWR
	R	REV PER AD 6141	8-28-92	RB/CM
	S	REV 0010-0252-93	3-8-93	RB/CM
	T	OBS PER ECN 0618-93	7-93	RAC/D
	U	REV PER 0010-1536-93	7/27/94	SS/D
	V	REV PER EC 0320-209-97	7-7-97	N6
	W	ECR-05-004878	11JUL05	MM

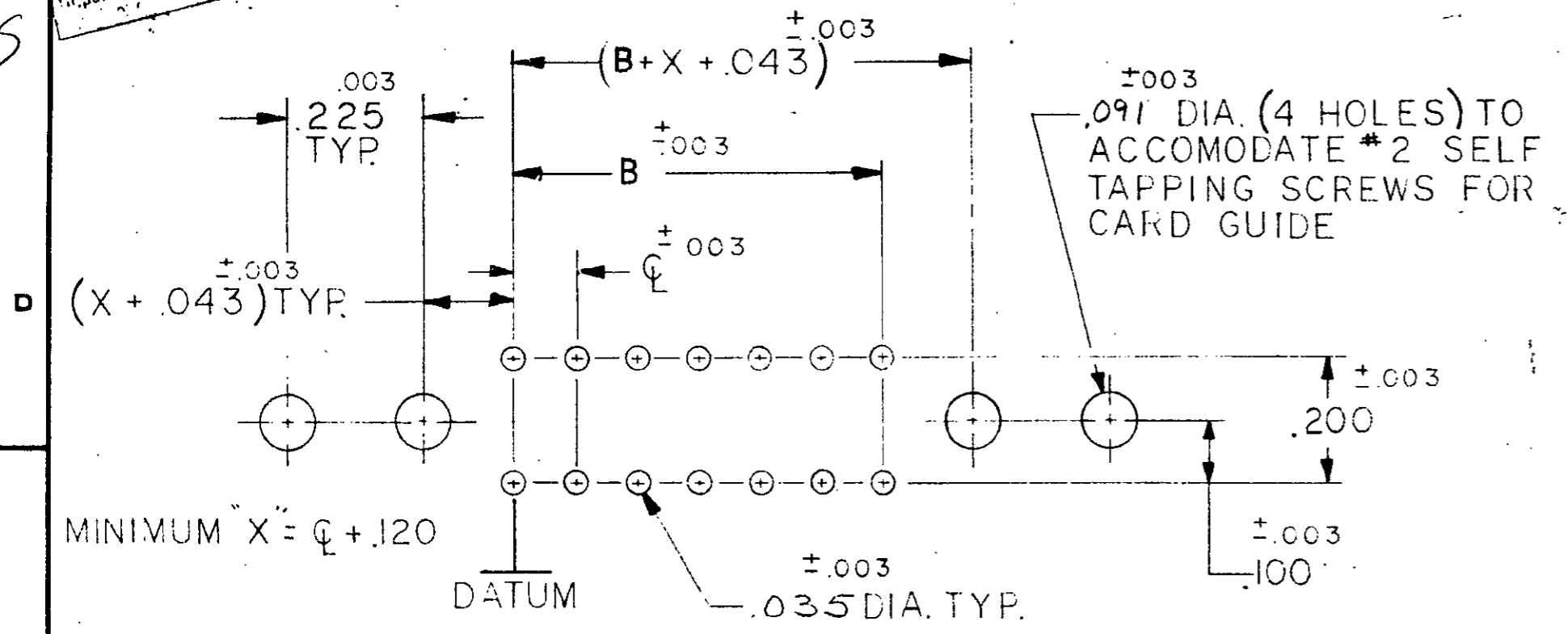
UNLESS OTHERWISE SPECIFIED, DIMENSIONS ARE IN INCHES TOLERANCES ON: DECIMALS ± ANGLES ±	CONTRACT NO.	AMP INCORPORATED HARRISBURG, PENNSYLVANIA	
	DR <i>Rumbolt</i> 1-30-73	NAME HOUSING ASSEMBLY, TWIN LEAF, .150 Q,.010X.024, SOLDER TYPE POST, END CAP VERSION	
MATERIAL SEE CALLOUT	CHK <i>M Ziegler</i> 2-5-78	SIZE	CODE IDENT NO.
	APPD <i>Larry M Brown</i> 2-5-78	C	00779
	REL <i>E.B. Trump</i> 3/13/73	NUMBER	583692
	DSGN APPD	SCALE	4
OTHER APPD	SHEET 1 OF 2 SHTS.		

NUMBER 583692

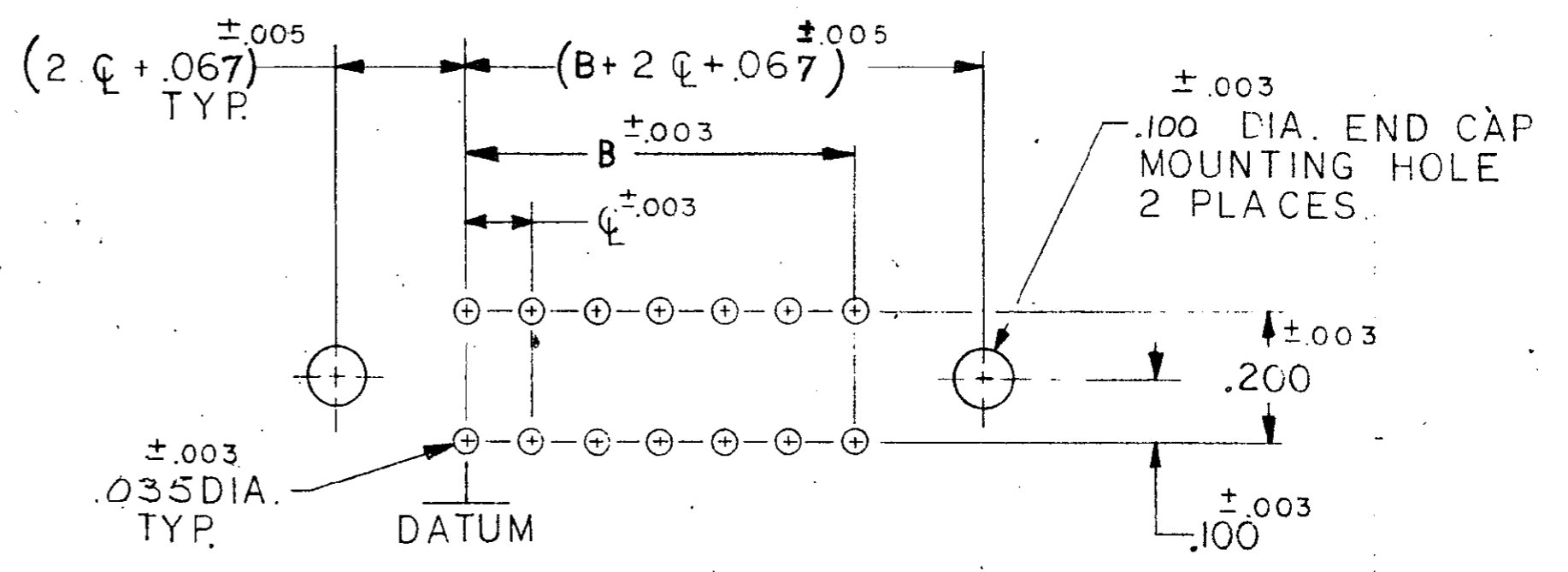
PRINT DIST 22

© 1970 BY AMP INCORPORATED. ALL RIGHTS RESERVED. AMP PRODUCTS COVERED BY PATENTS AND/OR PATENTS PENDING.

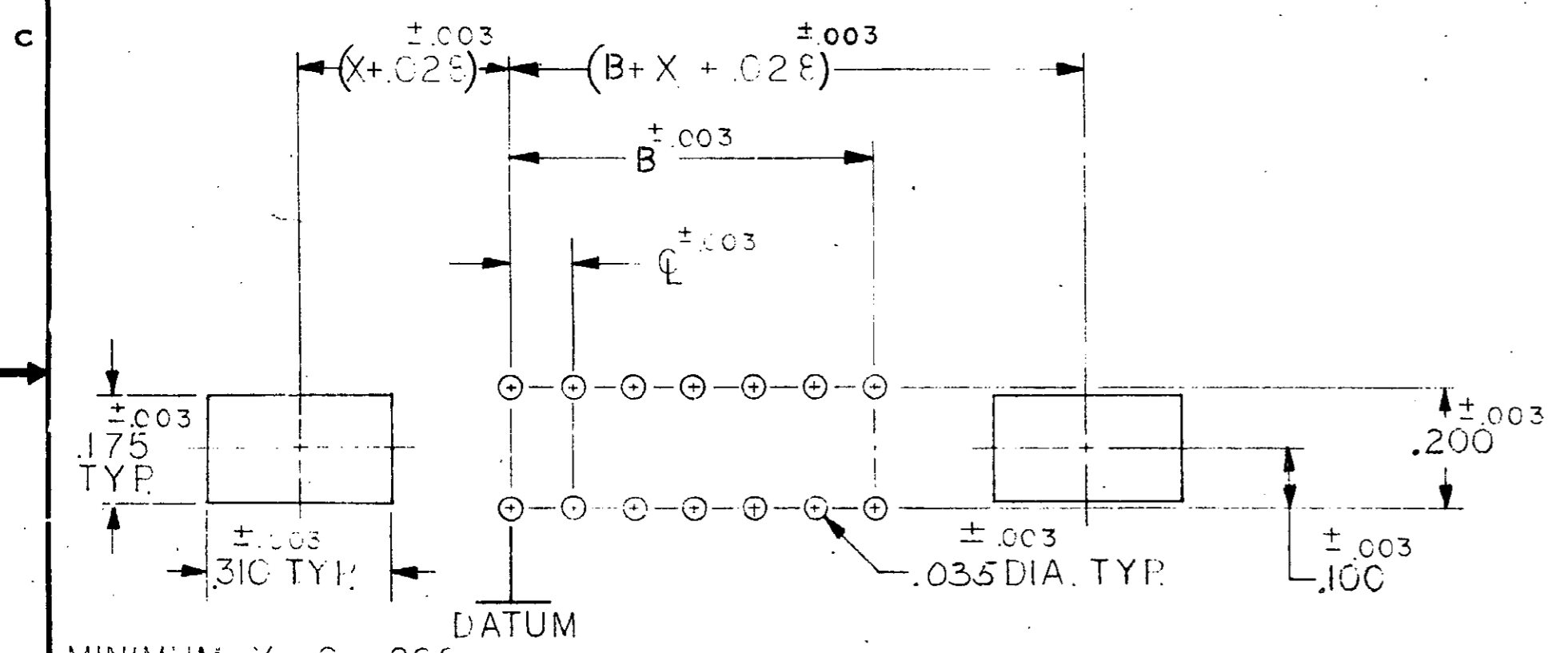
REVISIONS				
ZONE	LTR	DESCRIPTION	DATE	APPROVED
	W	SEE SHEET 1		



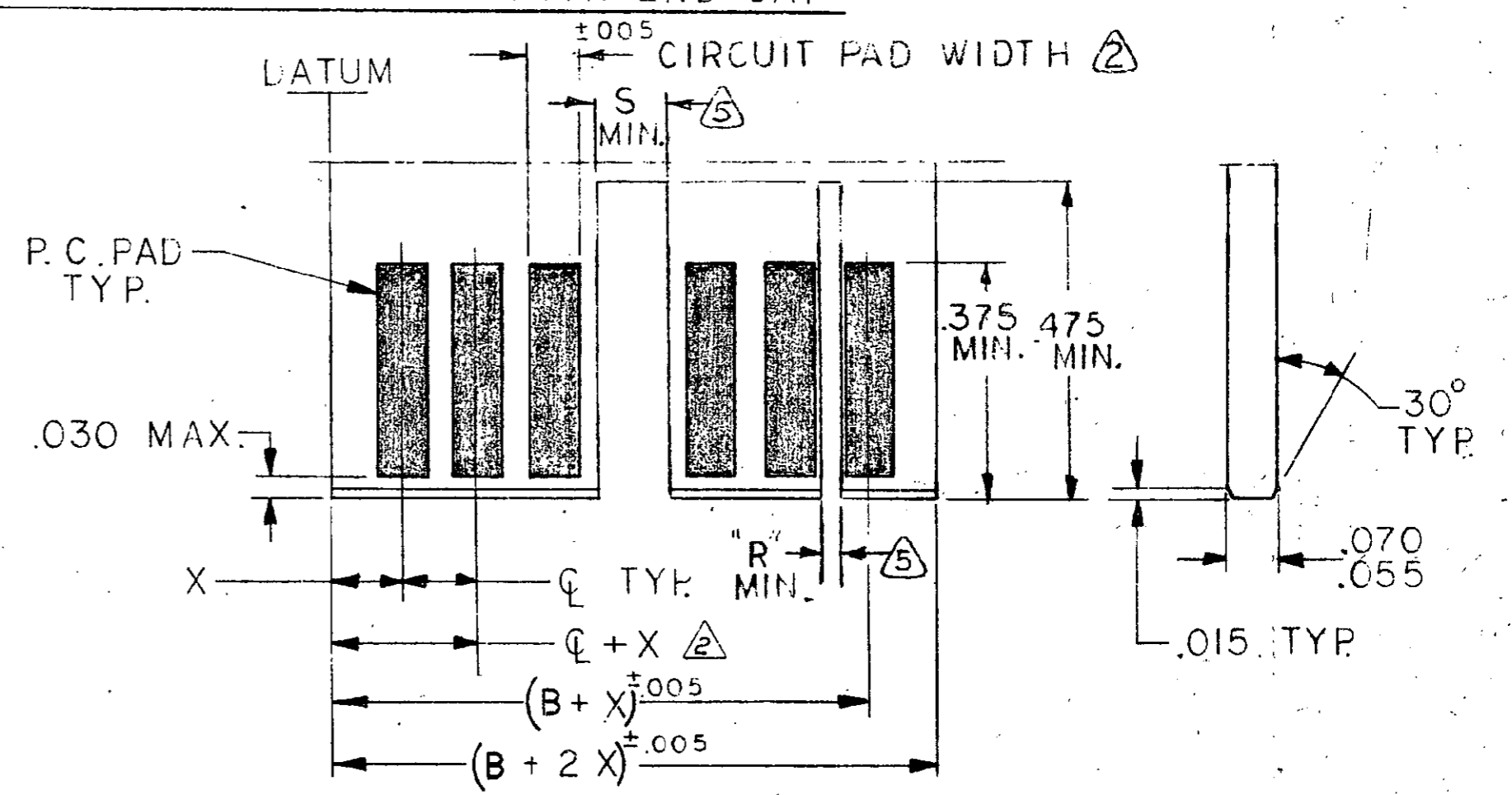
BOARD LAYOUT FOR USE WITH AMP CARD GUIDE PART NO. 583671



BOARD LAYOUT FOR USE WITH END CAP

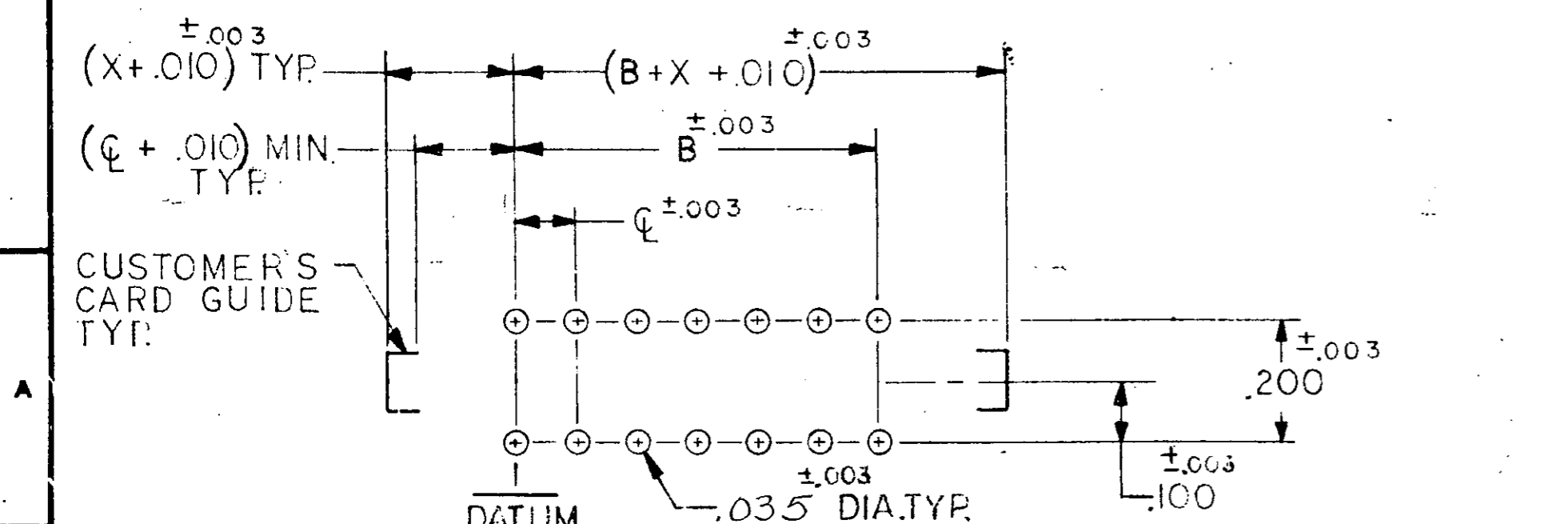


BOARD LAYOUT FOR USE WITH AMP CARD GUIDE PART NO. 583408 CR 583425



DAUGHTER BOARD LAYOUT

- MAX. ALLOWABLE WARPAGE OF MOTHER BOARD NOT TO EXCEED .005/IN. MAX. ALLOWABLE BOW OF DAUGHTER BOARD NOT TO EXCEED .010/IN. THICKNESS OF MOTHER BOARD IS .062 FOR DOUBLE SLOTTED CARD GUIDES AND .104 MAX. FOR ALL OTHER MOUNTING CONDITIONS.
- EACH PAD LOCATION INCREASES BY $\phi \pm .005$ WITH A NON-CUMULATIVE TOLERANCE OF $\pm .005$.
CIRCUIT PAD WIDTH - .045 FOR .100 ϕ
.072 FOR .125 ϕ
.072 FOR .150 ϕ
.080 FOR .156 ϕ
- DIMENSIONS APPLY TO BOTH SIDES OF DAUGHTER BOARD.
- ϕ INCREMENTS ON MOTHER BOARD HAVE $\pm .003$ NON-CUMULATIVE TOLERANCE.
- "X" IS A CUSTOMER CONTROLLED DIMENSION EXCEPT FOR END CAP ASSEMBLIES WHERE "X" = $\phi - .008$



BOARD LAYOUT FOR USE WITH CUSTOMER SUPPLIED CARD GUIDE

THE SLOT FOR INTER-CONTACT KEYING PLUGS MUST BE CENTERED BETWEEN THE PRINTED CIRCUIT PADS, WHILE THE SLOT FOR ON-CONTACT KEYING PLUGS MUST BE CENTERED ON THE AREA OF A PRINTED CIRCUIT PAD.

INTER-CONTACT KEYING PLUG	"R"	FOR CENTER LINE SPACING
530030-1	.050	.125-.150-.156
530030-2	.040	.100

ON CONTACT KEYING PLUG	"S"	FOR CENTER LINE SPACING
583714-1	.129	.100-.125
583714-2	.160	.150-.156

UNLESS OTHERWISE SPECIFIED, DIMENSIONS ARE IN INCHES TOLERANCES ON: DECIMALS ± ANGLES ±	CONTRACT NO.	AMP INCORPORATED HARRISBURG, PENNSYLVANIA	
	MATERIAL	DR <i>Rumble 1-30-73</i>	NAME HOUSING ASSEMBLY TWIN LEAF CONNECTOR .150 CENTERS.
	APPD <i>M. Ziegler 2-5-73</i>	REL <i>Jerry M. Brown</i>	SIZE C
	DSGN APPD <i>R.G. Frump 3/13/73</i>	OTHER APPD	CODE IDENT NO. 00779
			NUMBER 583692
			SHEET 2 OF 2 SHTS.