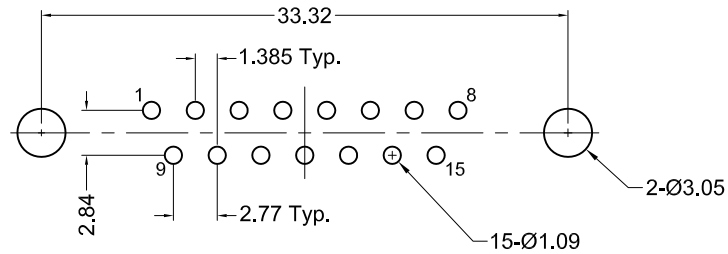


Recommended PCB Layout
(top view)



Material And Finish

Shell: Steel Material, Nickel Plated

Insert: PBT Thermoplastic,
Black Color, 30%
Glass Filled, UL 94V-0 Rated

Contact Material:
Plug - Brass

Contact Plating:
Standard:

Gold flash on mating end,
tin on termination end, with
entire contact nickel underplated

-15 Option:

15u" gold on mating end,
tin on termination end, with
entire contact nickel underplated

-30 Option:

30u" gold on mating end,
tin on termination end, with
entire contact nickel underplated

Electrical Specifications

Rated Current: 2A

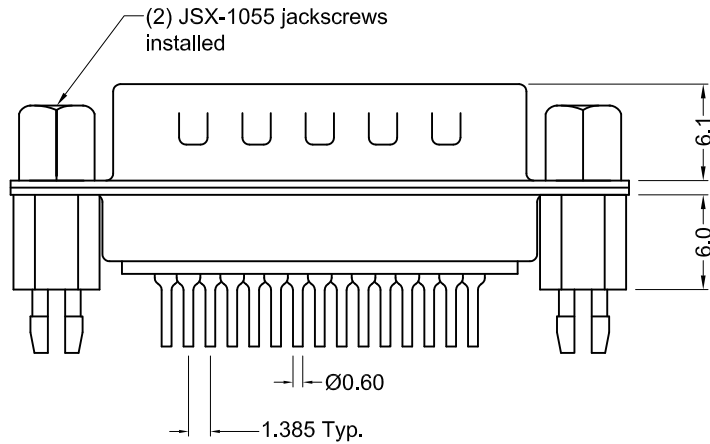
Rated Voltage: 30V RMS

Dielectric Withstanding Voltage:
1000V (rms) AC for 1 minute

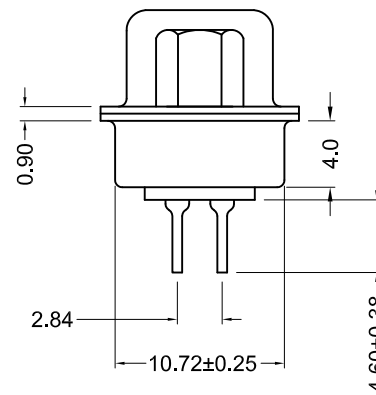
Insulation Resistance:
more than 1000 Megohm
at 500V DC

Contact Resistance:
13 milliohm max.

Operating Temperature
-55°C to +105°C



Boardlock not shown
in this view



Ordering Information

Part Number	Contact Area Plating Finish
K85X-AD-15P-BRJ	Gold Flash (standard)
K85X-AD-15P-BRJ15	15u" Gold (15 option)
K85X-AD-15P-BRJ30	30u" Gold (30 option)

RoHS COMPLIANT



Tolerances
X.X ± 0.25
X.XX ± 0.15
Unless Stated Otherwise

REV.	DATE	DESCRIPTION	REV. BY	CHK. BY	DRAWN BY	DATE
A1	1/05/06	New Drawing	R. Aguirre	H. MA	R. Aguirre	10/12/05
A2	1/8/08	ECO # 07-052	WILL H.	H. MA		
A3	12/31/17	ECO #17-030	J. Elbanna	C. Furumasu		
						UNITS
						mm

K85X-AD-15P-BRJ

Vertical PCB Mount D-Sub ,RoHS Compliant

15 pos. male w/boardlocks & JS-1055 jackscrews installed

