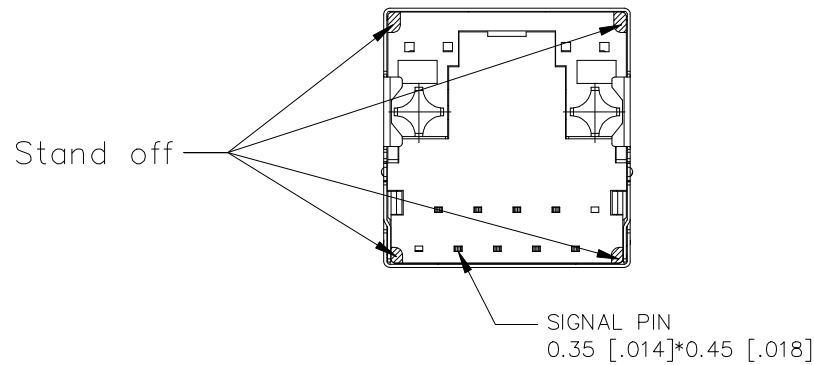
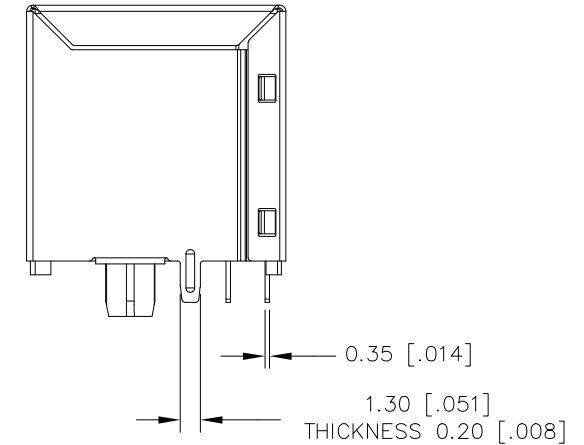
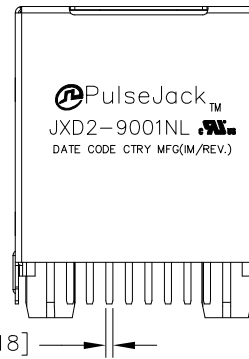
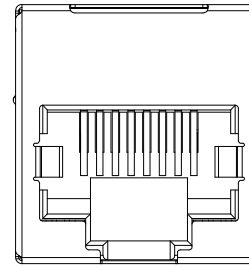


NOTES:

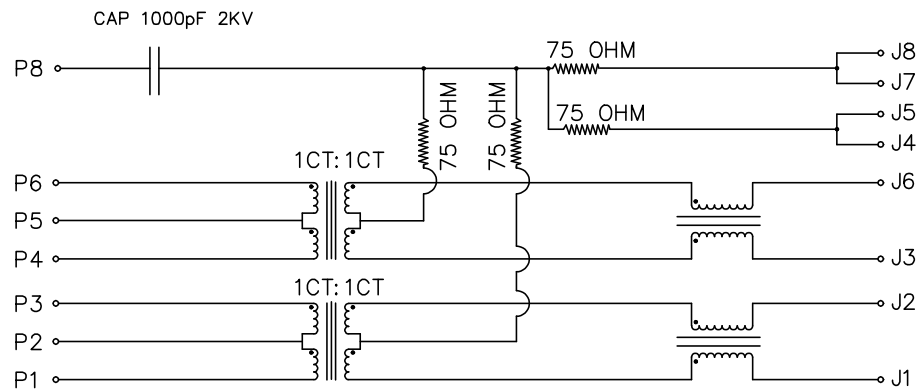
1. CONNECTOR MATERIAL:
HOUSING: LCP BLACK UL94 V-0
INSERTER: LCP BLACK UL94 V-0
SHIELD: Brass
SHIELD PLATING: NICKEL
CONTACT: COOPER ALLOY
CONTACT PLATING: SELECTIVE GOLD, 30 MICRO-INCHS MIN
IN CONTACT AREA
2. PIN NOT ELECTRICALLY CONNECTED MAYBE OMITTED SEE
ELECTRICAL DRAWING FOR OMITTED PINS
3. RJ45 CAVITIES CONFORM TO FCC RULES AND REGULATION
PART 68.
4. THE PART IS RECOMMENDED FOR IR REFLOW
PROCESS PEAK SOLDERING TEMPERATURE IS
245°C MAX, 10 SECS MAX
5. OPERATING TEMPERATURE T=-40°C TO +85°C.
6. STORAGE TEMPERATURE T=-40°C TO +85°C.



FINAL OUTLINE

© Copyright, 2018. Pulse Electronics Corp. All rights reserved. Pulse confidential & proprietary. (09/12/18)

PRODUCT DESCRIPTION	TLA DRAWING	PS DRAWING	SHEET	PART NO.	DATASHEET REV.
CONN,RJ45,1X1,100D,1:1,TU	JXD2-9001NL-P1	-	1 OF 6	JXD2-9001NL	C



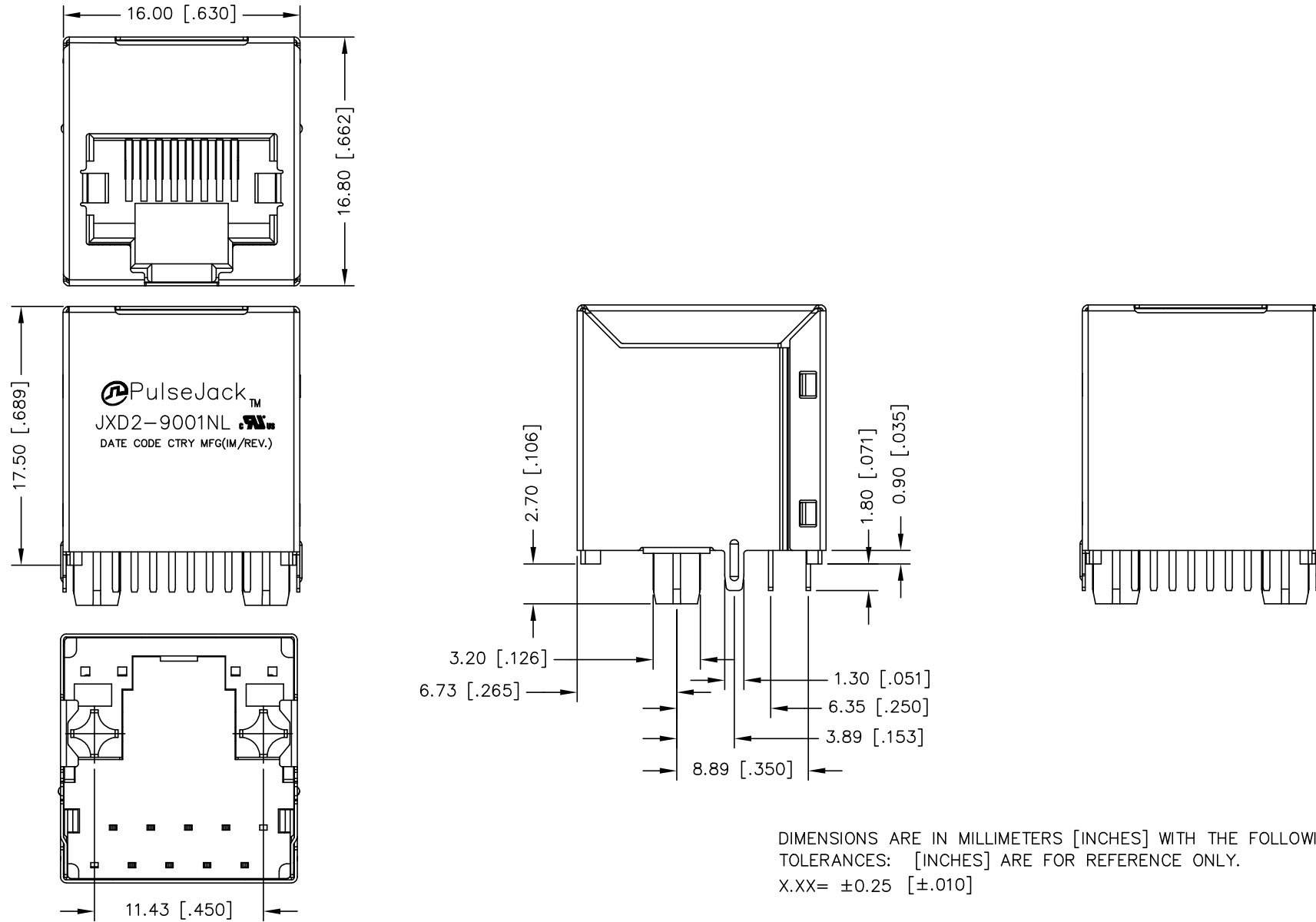
SCHEMATIC

ELECTRONICAL SPECIFICATIONS:

1. TURN RATIO @100KHz: (P1~P3):(J1~J2) = 1:1±5%
(P4~P6):(J3~J6) = 1:1±5%
2. PRIMARY INDUCTANCE: 350uH MIN @100KHZ,0.1V 8mA DC BIAS
3. DC RESISTANCE:(J1~J2):(J3~J6) 1.2 OHMS MAX
4. INSERTION LOSS: 1-100MHz -1.2dB MAX
5. RETURN LOSS: 1-30MHz -16dB MIN
30-60MHz -12dB MIN
60-80MHz -10dB MIN
6. CROSS TALK: 1-100MHz -30dB MIN
7. COMMON TO COMMON MODE ATTENUATION: 1-100MHz -30dB MIN
8. ISOLATION: PHY SIDE TO LINE SIDE: 1500VAC OR 2250VDC

© Copyright, 2018. Pulse Electronics Corp. All rights reserved. Pulse confidential & proprietary. (09/12/18)

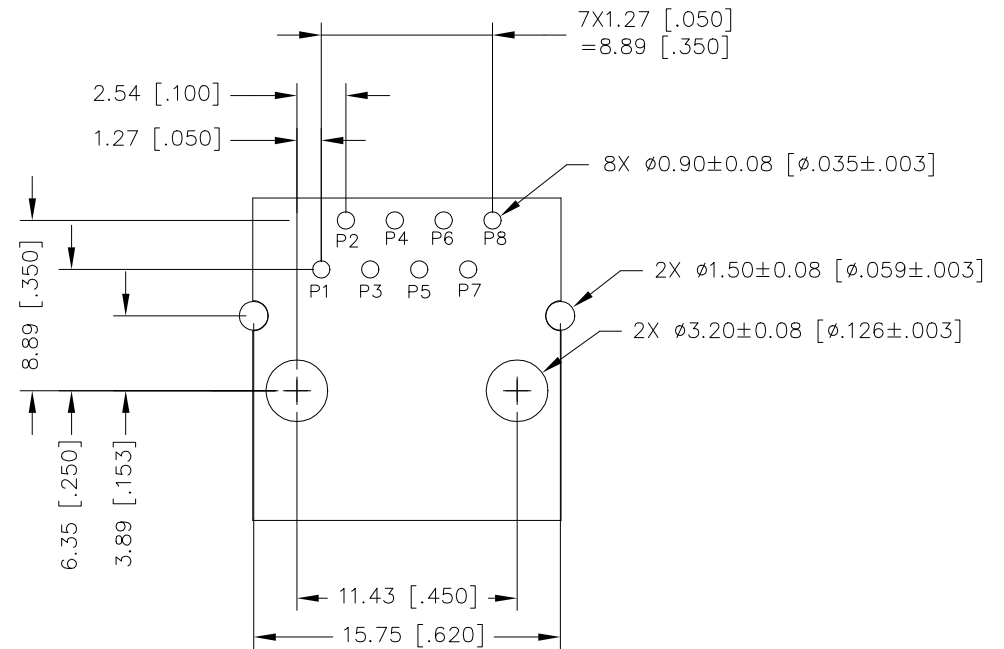
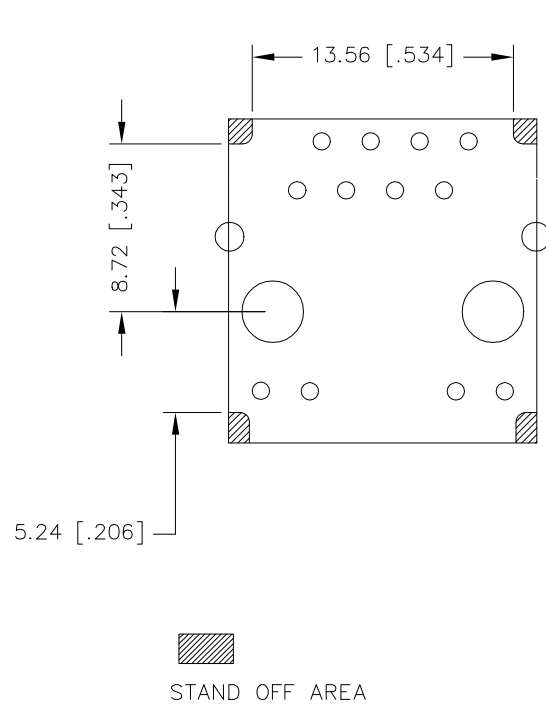
PRODUCT DESCRIPTION	TLA DRAWING	PS DRAWING	SHEET	PART NO.	DATASHEET REV.
CONN,RJ45,1X1,100D,1:1,TU	JXD2-9001NL-P1	-	2 OF 6	JXD2-9001NL	C



DIMENSIONS ARE IN MILLIMETERS [INCHES] WITH THE FOLLOWING TOLERANCES: [INCHES] ARE FOR REFERENCE ONLY.
X.XX= ±0.25 [±.010]

© Copyright, 2018. Pulse Electronics Corp. All rights reserved. Pulse confidential & proprietary. (09/12/18)

PRODUCT DESCRIPTION	TLA DRAWING	PS DRAWING	SHEET	PART NO.	DATASHEET REV.
CONN,RJ45,1X1,100D,1:1,TU	JXD2-9001NL-P1	-	3 OF 6	JXD2-9001NL	C

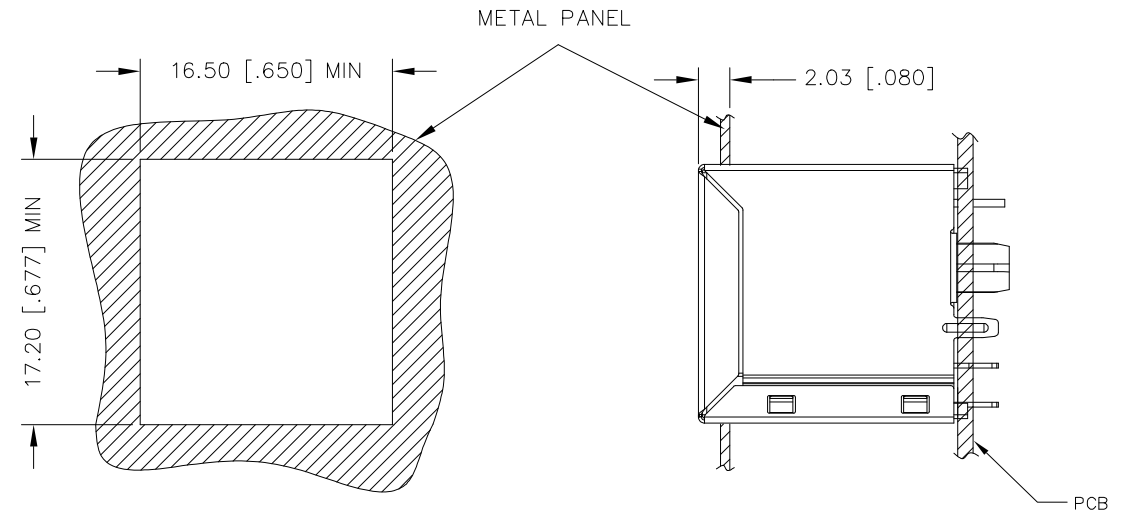
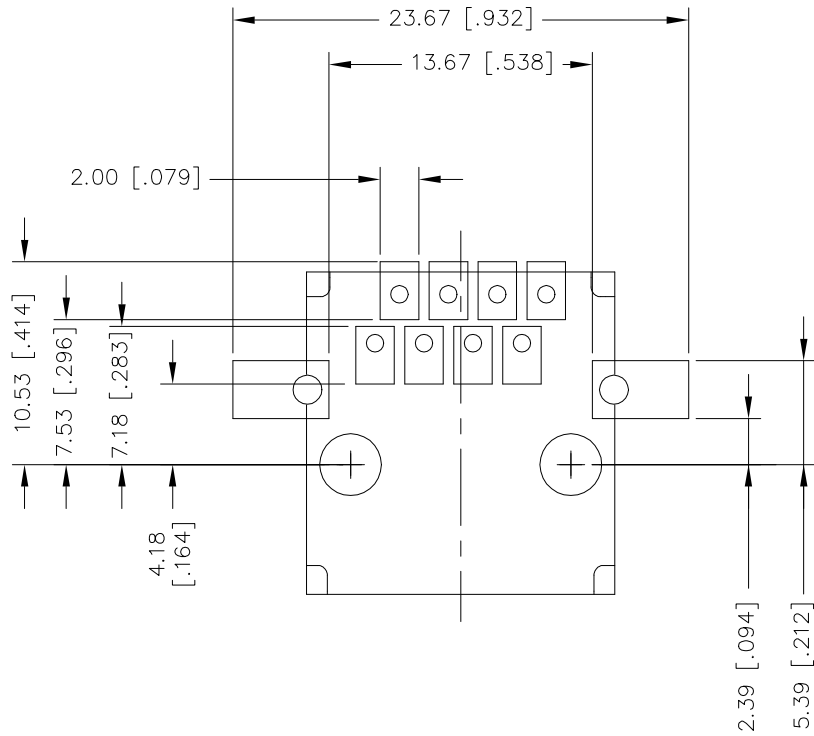


DIMENSIONS ARE IN MILLIMETERS [INCHES] WITH THE FOLLOWING TOLERANCES: [INCHES] ARE FOR REFERENCE ONLY.
X.XX= ± 0.10 [$\pm .004$]

RECOMMENDED PWB LAYOUT
(COMPONENT SIDE SHOWN)

© Copyright, 2018. Pulse Electronics Corp. All rights reserved. Pulse confidential & proprietary. (09/12/18)

PRODUCT DESCRIPTION	TLA DRAWING	PS DRAWING	SHEET	PART NO.	DATASHEET REV.
CONN,RJ45,1X1,100D,1:1,TU	JXD2-9001NL-P1	-	4 OF 6	JXD2-9001NL	C

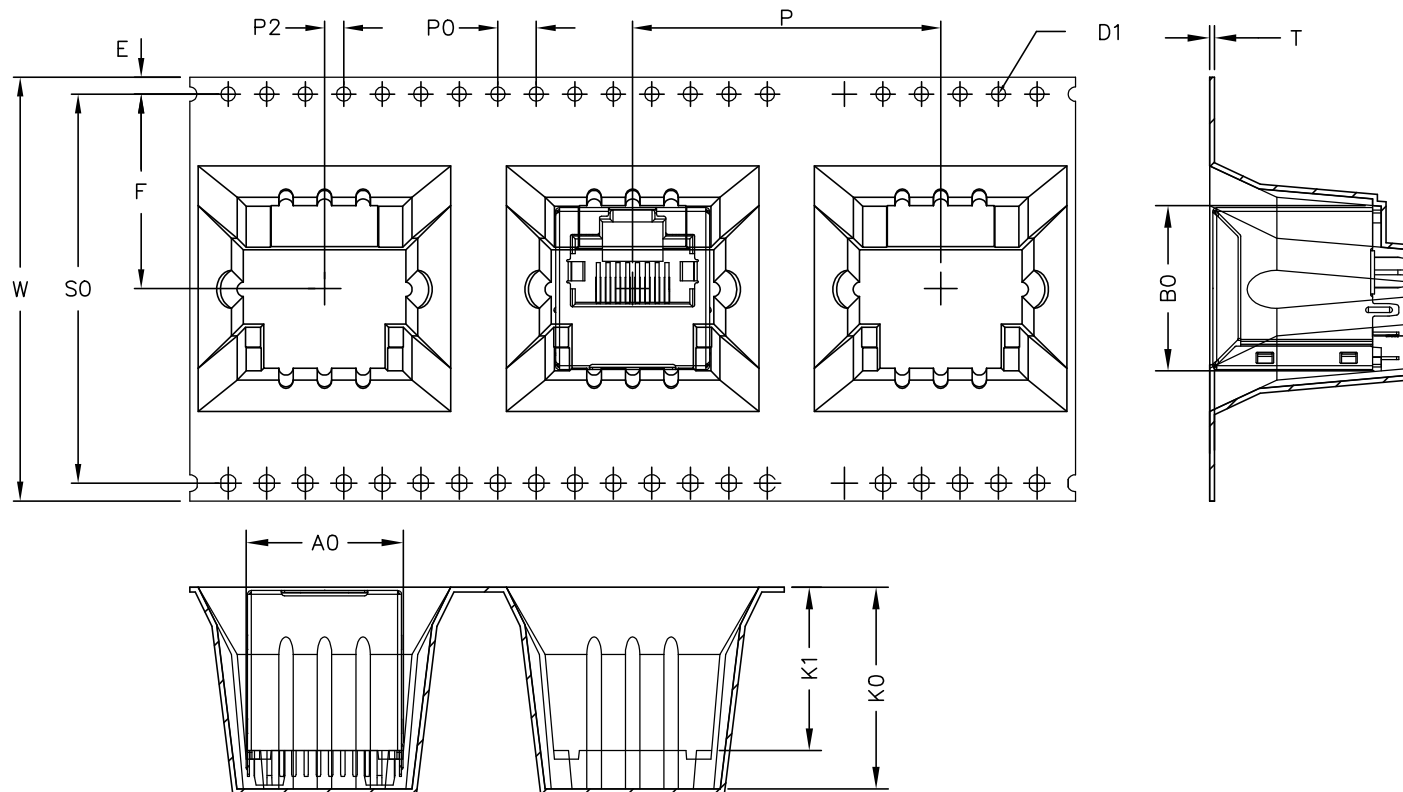


SUGGESTED PANEL CUTOUT

RECOMMENDED STENCIL DESIGN WITH 0.2mm THICKNESS
BASE ON 1.6mm THICKNESS PCB
(COMPONENT SIDE SHOWN)

© Copyright, 2018. Pulse Electronics Corp. All rights reserved. Pulse confidential & proprietary. (09/12/18)

PRODUCT DESCRIPTION	TLA DRAWING	PS DRAWING	SHEET	PART NO.	DATASHEET REV.
CONN,RJ45,1X1,100D,1:1,TU	JXD2-9001NL-P1	-	5 OF 6	JXD2-9001NL	C



W	44.00 ±0.30	P	32.00 ±0.10	A0	16.40±0.15	B0	17.17±0.15
S0	40.40 ±0.10	P0	4.00 ±0.10	A1		B1	
E	1.75 ±0.10	P2	2.00 ±0.15	A2		B2	
F	20.20 ±0.15	D0	1.50 ^{+0.10} _{-0.00}	K0	20.95±0.20	K1	16.95±0.15
T	0.50 ±0.05	D1		SCALE:	1:1	UNIT:	mm

1. Material: Black Conductive Polystyrene Alloy.
2. Packing length per 13" reel: 3.16 Meters.
3. Component load per 13" reel: 80 pcs.
5 Reel in on box
400 pcs in one box
4. All dimension meet EIA-481-D requirements.

© Copyright, 2018. Pulse Electronics Corp. All rights reserved. Pulse confidential & proprietary. (09/12/18)

PRODUCT DESCRIPTION	TLA DRAWING	PS DRAWING	SHEET	PART NO.	DATASHEET REV.
CONN,RJ45,1X1,100D,1:1,TU	JXD2-9001NL-P1	-	6 OF 6	JXD2-9001NL	C