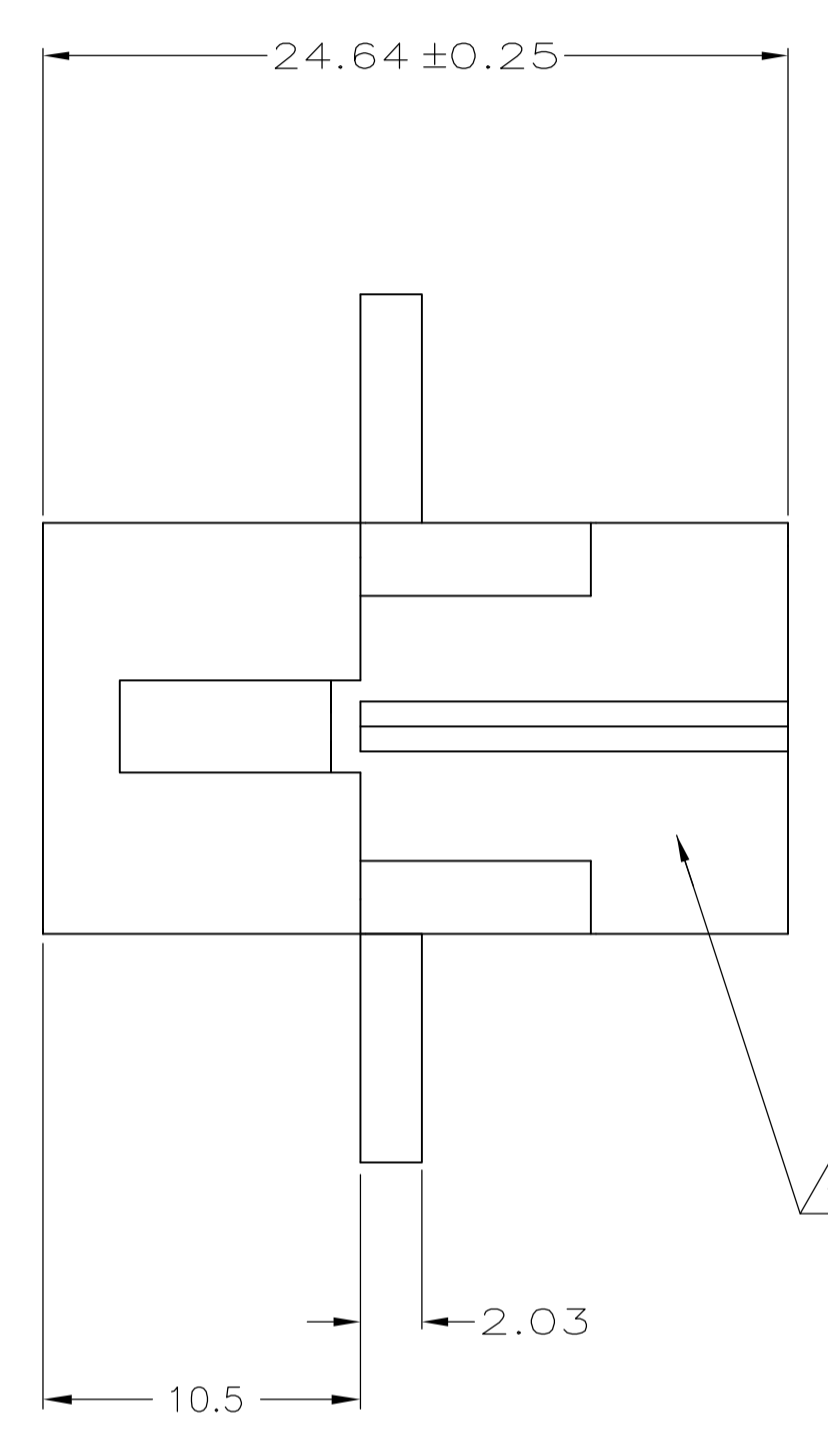
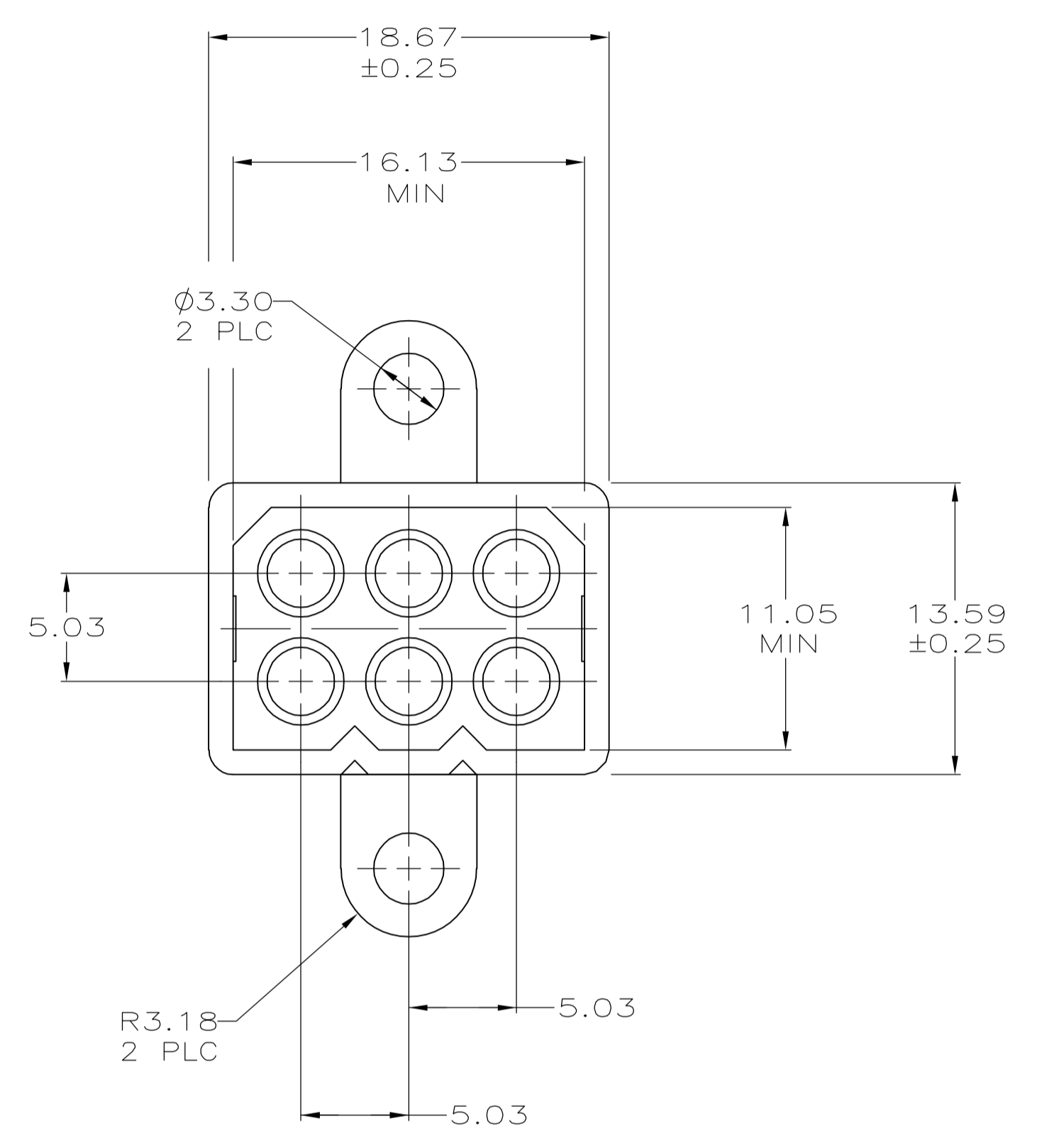
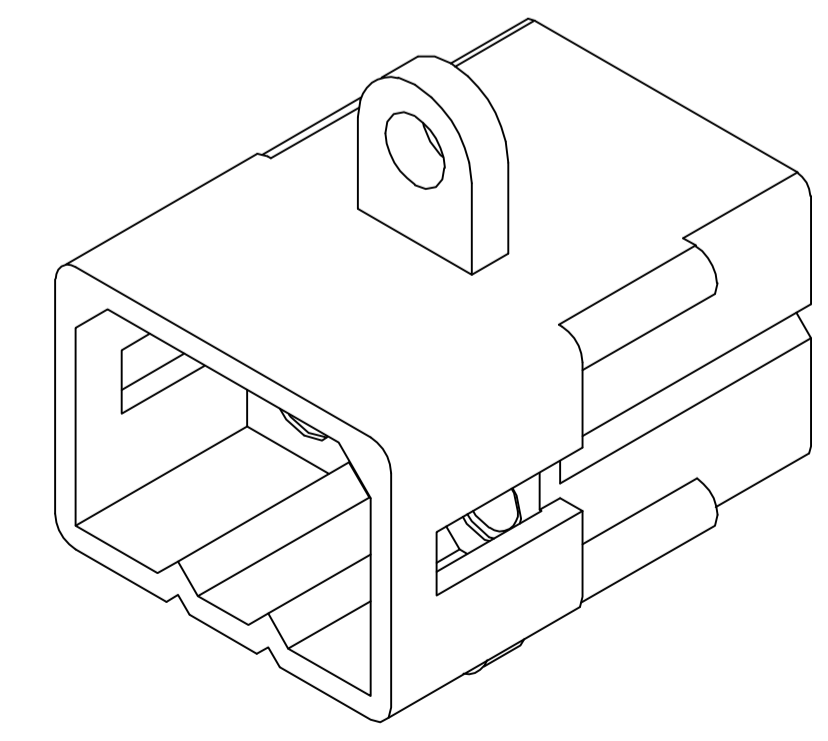
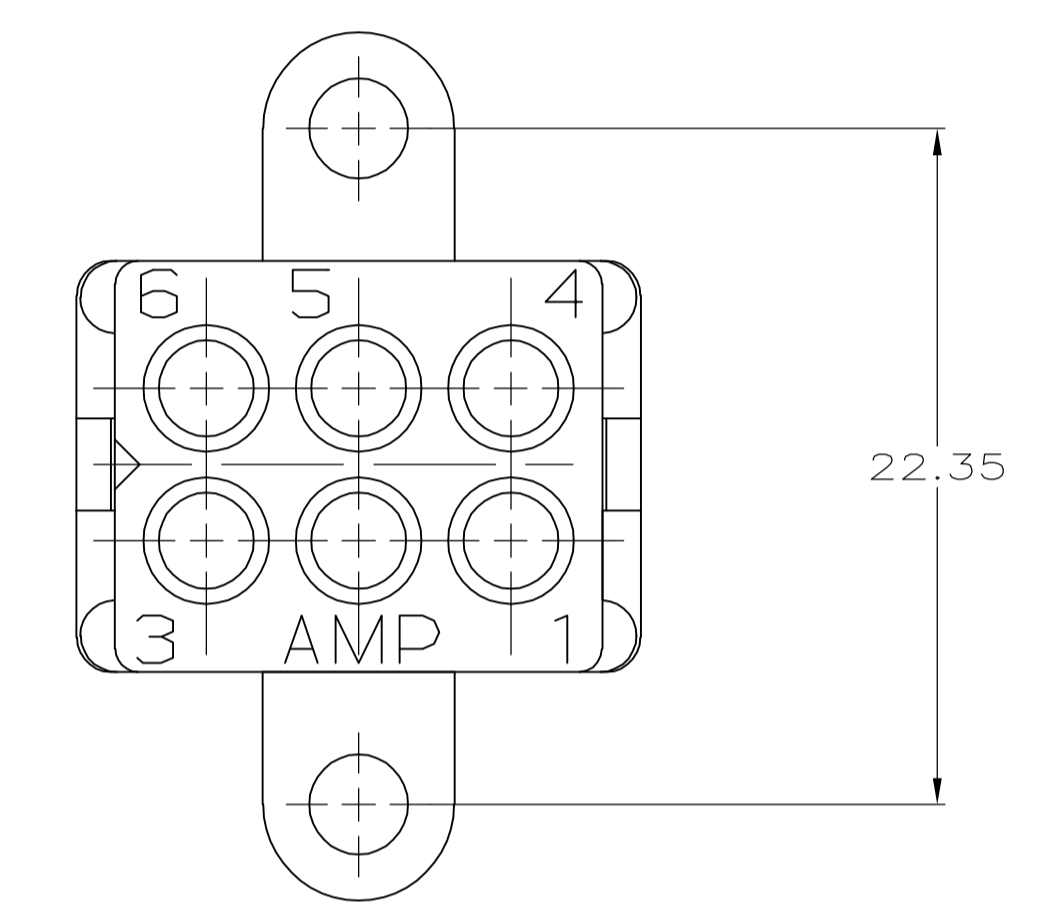


LOC		DIST		REVISIONS			
P	LTR	DESCRIPTION	DATE	DWN	APVD		
A		REVISED PER ECO-06-017632	25JUL06	KW	DC		

△ MARKING FOR UL LOGO AND CSA LOGO LOCATED APPROXIMATELY AS SHOWN.



△ OPPOSITE SIDE OPTIONAL



3-DIMENSIONAL MODEL
NTS

MM	IN	MM	IN
5.03	.198	24.64	.970
3.30	.130	22.35	.880
3.18	.125	18.67	.735
2.36	.093	16.13	.635
2.03	.080	13.59	.535
0.25	.010	11.94	.470
0.13	.005	11.05	.435

CONVERSION TABLE

794402-1
PART NUMBER

METRIC

THIS DRAWING IS A CONTROLLED DOCUMENT.		DWN K. WHITAKER 6-20-97		Tyco Electronics Corporation Harrisburg, PA 17105-3608	
DIMENSIONS: mm		CHK R. SWING 6-20-97		NAME PLUG, 6 CIRCUIT, .093 COMMERCIAL PIN AND SOCKET	
TOLERANCES UNLESS OTHERWISE SPECIFIED:		APVD C. CASH 6-20-97	PRODUCT SPEC		RESTRICTED TO
0 PLC ± -		APPLICATION SPEC		SIZE A1	CAGE CODE 00779
1 PLC ± -		WEIGHT		DRAWING NO 794402	
2 PLC ± 0.13		SCALE 4:1		SHEET 1 OF 1	
3 PLC ± -		REV A		REV	
4 PLC ± -		CUSTOMER DRAWING			
ANGLES ± 0° 30'					
MATERIAL NYLON,					
FINISH					