

THIS DRAWING IS UNPUBLISHED.

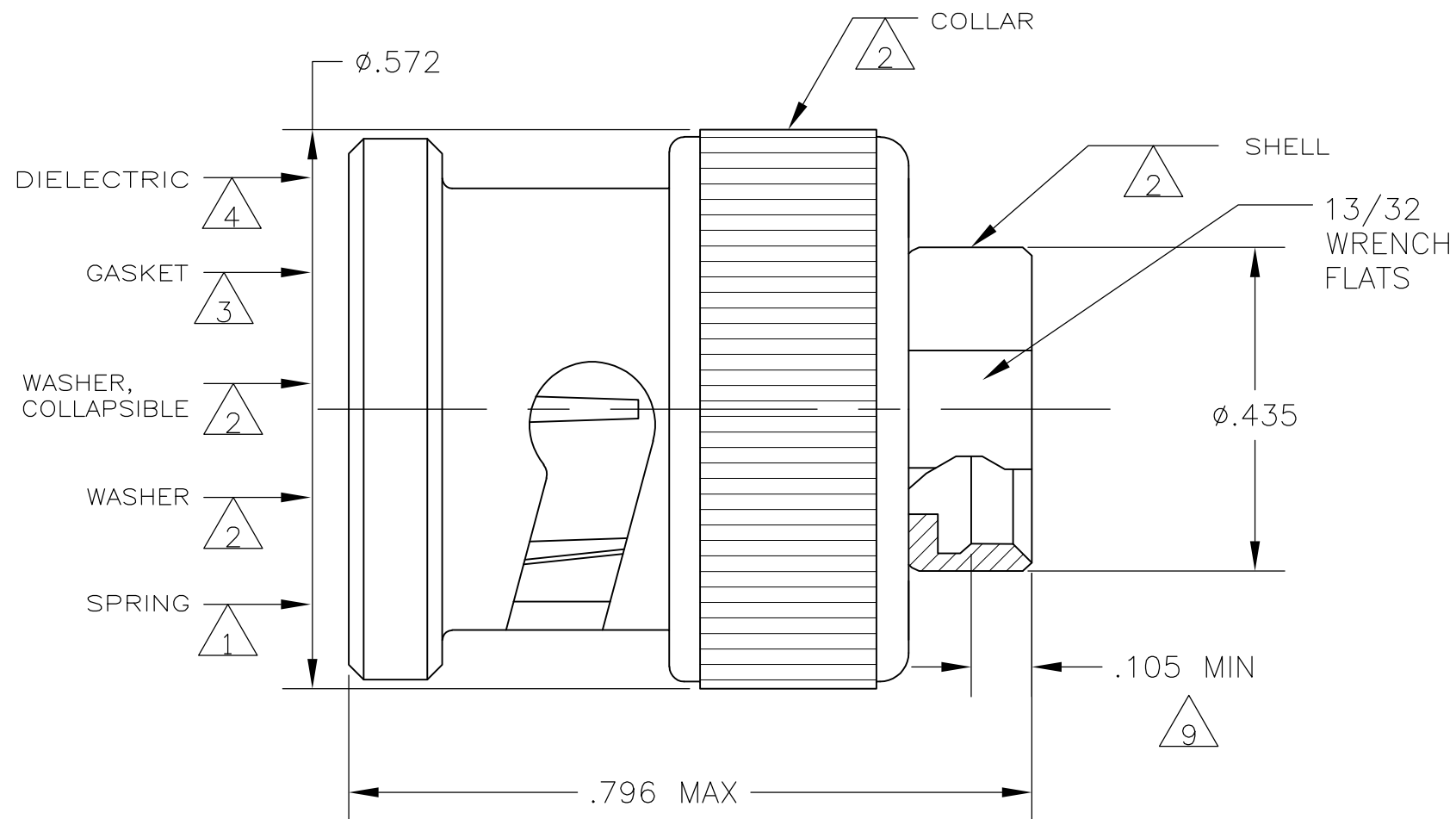
RELEASED FOR PUBLICATION

ALL RIGHTS RESERVED.

© COPYRIGHT - By -

REVISIONS

P	LTR	DESCRIPTION	DATE	DWN	APVD
	B	PER ECO-15-015255	23OCT2015	RZ	RS



- 1 BERYLLIUM COPPER PER ASTM-B-194
- 2 BRASS PER ASTM-B-16
- 3 SILICONE RUBBER PER ZZ-R-765
- 4 PTFE PER ASTM-D-1710
- 5 SILVER PLATE PER QQ-S-365
- 6 TIN PLATE PER ASTM-B-545
- 7 BRIGHT NICKEL PLATE PER QQ-N-90
- 8 TIN-LEAD PLATE PER ASTM-B-545
- 9 3/8-32 UNEF-2B

REPLACED BY 9-329804-0 OBSOLETE

5	5	6	5	5	9-329804-0
7	7	8	7	7	2-329804-3
5	5	8	5	5	329804
SHELL	WASHER	SPRING	WASHER, COLLAPSIBLE	COLLAR	PART NUMBER

THIS DRAWING IS A CONTROLLED DOCUMENT.		DWN	03-05-69	<b>STE</b> TE Connectivity
		CHK	03-05-69	
		APVD	03-11-69	
DIMENSIONS: INCHES	TOLERANCES UNLESS OTHERWISE SPECIFIED:	NAME PLUG ASSEMBLY SERIES BNC		
	0 PLC ± -	PRODUCT SPEC		
	1 PLC ± -	APPLICATION SPEC		
	2 PLC ± -	SIZE	CAGE CODE	DRAWING NO
	3 PLC ± -	A3 00779		C-329804
	4 PLC ± -	RESTRICTED TO		
	ANGLES ± -	CUSTOMER DRAWING		
MATERIAL	FINISH	SCALE 4:1		SHEET 1 OF 1
1 2 3 4	5 6 7 8	REV B		