

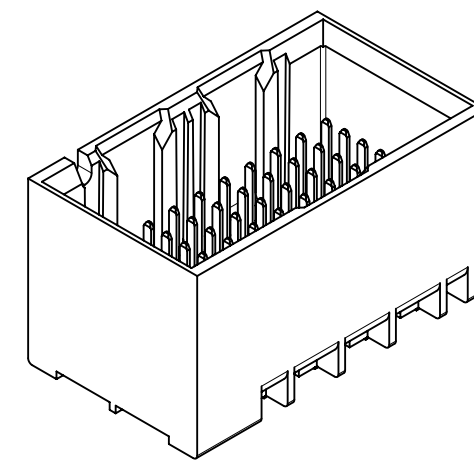
- NOTES:**
1. MATERIALS: HOUSING - LIQUID CRYSTAL POLYMER (LCP)  
GLASS-FILLED, UL94V-0  
TERMINALS - HIGH PERFORMANCE COPPER ALLOY
  2. FINISH: 30µ MIN GOLD IN CONTACT AREA.  
SELECTIVE TIN ON PCB TAILS.  
NICKEL OVERALL.
  3. REFER TO MOLEX PRODUCT SPECIFICATION PS-76060-999 FOR PERFORMANCE SPECIFICATIONS AND ADDITIONAL PCB INFORMATION.
  4. THIS PART CONFORMS TO CLASS B REQUIREMENTS OF MOLEX COSMETIC SPEC PS-45499-002.
  5. PARTS PACKAGED PER PK-70873-7704.
  6. SEE SHEETS 2 & 3 FOR PART NUMBERS AND BOARD RELATIONSHIPS.
  7. MATES WITH IMPACT DC SERIES NO. 76460.
  8. REFER TO MOLEX PCB ROUTING GUIDE AS-76060-990 FOR ANTIPAD AND ROUTING RECOMMENDATIONS.
  9. "THESE DIMENSIONS REPRESENT THE AREA NEEDED TO ACCOMMODATE CONNECTOR INSERTION AND REPAIR ON THE PC BOARD. THIS IS REFERRED TO AS THE "CONNECTOR KEEP OUT ZONE" AND DOES NOT REPRESENT THE ACTUAL PERIMETER OF THE CONNECTOR. WHEN LAYING OUT A PC BOARD FOR CONNECTORS STACKED TOGETHER, USE A 1.9mm PROGRESSION."

THIS DRAWING CONTAINS INFORMATION THAT IS PROPRIETARY TO MOLEX ELECTRONIC TECHNOLOGIES, LLC AND SHOULD NOT BE USED WITHOUT WRITTEN PERMISSION

DRAWING CORRECTION EC NO: 175272 DRWN: HILGOH CHKD: JLTAN06 REV / APPR: DWLE01	2018/04/19	2018/04/23	2018/05/09	GENERAL TOLERANCES (UNLESS SPECIFIED)	DIMENSION UNITS	SCALE	
					MM	4:1	
	4 PLACES ±	MSANDBERG	DATE		2008/03/11		
	3 PLACES ±	CHKD BY	DATE		2008/03/11		
2 PLACES ± 0.13	TELO	DATE	2008/03/11	PRODUCT CUSTOMER DRAWING			
1 PLACE ± 0.25	JLAURX	DATE	2010/10/15				
0 PLACES ±	DRAWING SIZE		THIRD ANGLE PROJECTION	SERIES	MATERIAL NUMBER	CUSTOMER	
DRAFT WHERE APPLICABLE MUST REMAIN WITHIN DIMENSIONS	C			76455	SEE TABLE	GENERAL MARKET	
				DOCUMENT NUMBER	DOC TYPE	DOC PART	SHEET NUMBER
				SD-76455-001	PSD	001	1 OF 3

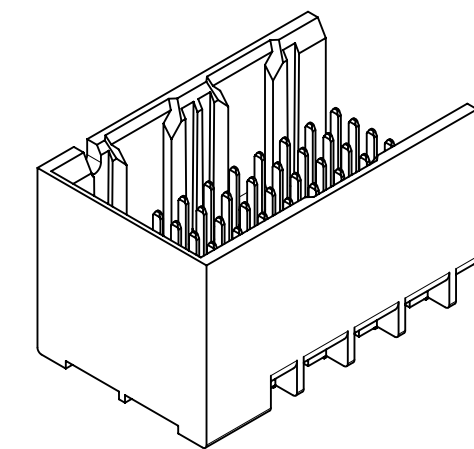
## PART NUMBER TABLE

MATERIAL NUMBER	# OF COLUMNS	# OF DIFF PAIR	DIM 'A'	DIM 'B'	DUAL END WALL OPTION
76455-*12*	10	20	21.7	17.10	
76455-*62*	16	32	33.1	28.50	



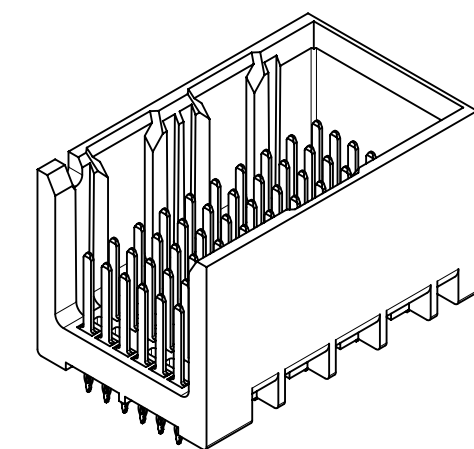
DUAL END  
WALL OPTION

MATERIAL NUMBER	# OF COLUMNS	# OF DIFF PAIR	DIM 'A'	DIM 'B'	LEFT END WALL OPTION
76455-*11*	10	20	20.3	17.10	
76455-*61*	16	32	31.7	28.50	



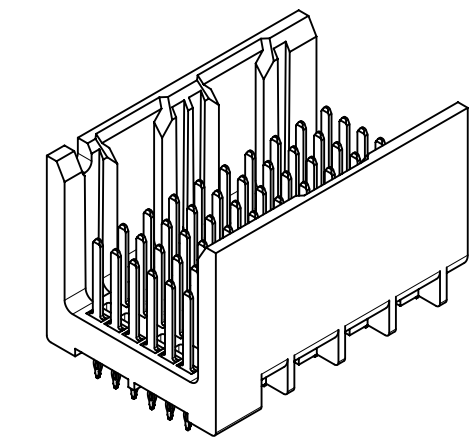
LEFT END  
WALL OPTION

MATERIAL NUMBER	# OF COLUMNS	# OF DIFF PAIR	DIM 'A'	DIM 'B'	RIGHT END WALL OPTION
76455-*13*	10	20	20.3	17.10	
76455-*63*	16	32	31.7	28.50	



RIGHT END  
WALL OPTION

MATERIAL NUMBER	# OF COLUMNS	# OF DIFF PAIR	DIM 'A'	DIM 'B'	OPEN WALL OPTION
76455-*10*	10	20	18.9	17.10	
76455-*60*	16	32	30.3	28.50	



OPEN  
WALL OPTION

## PART NUMBER LOGIC

76455 - \*\*\*\*

MODULE TYPE  
1 = UNGUIDED, TIN

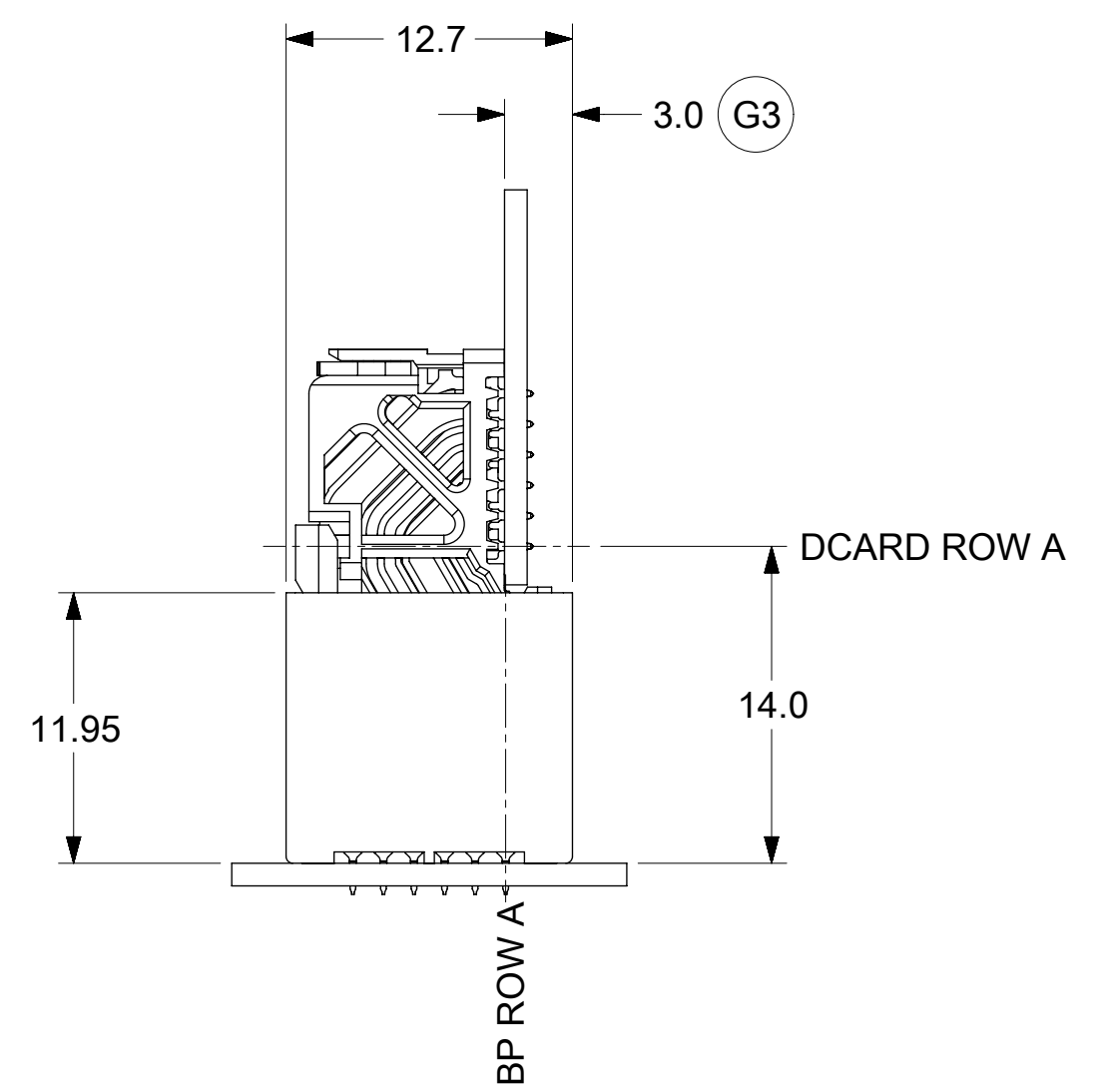
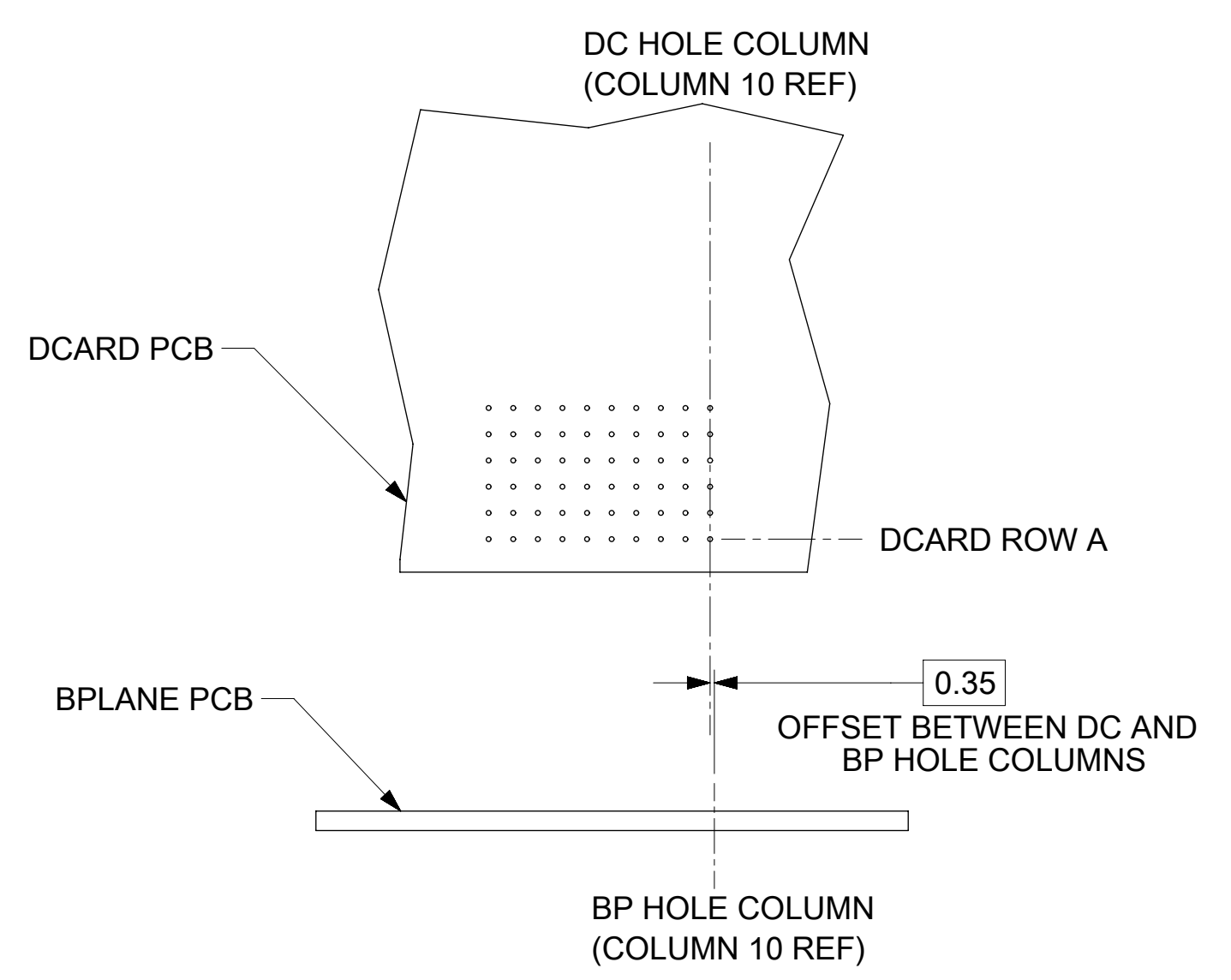
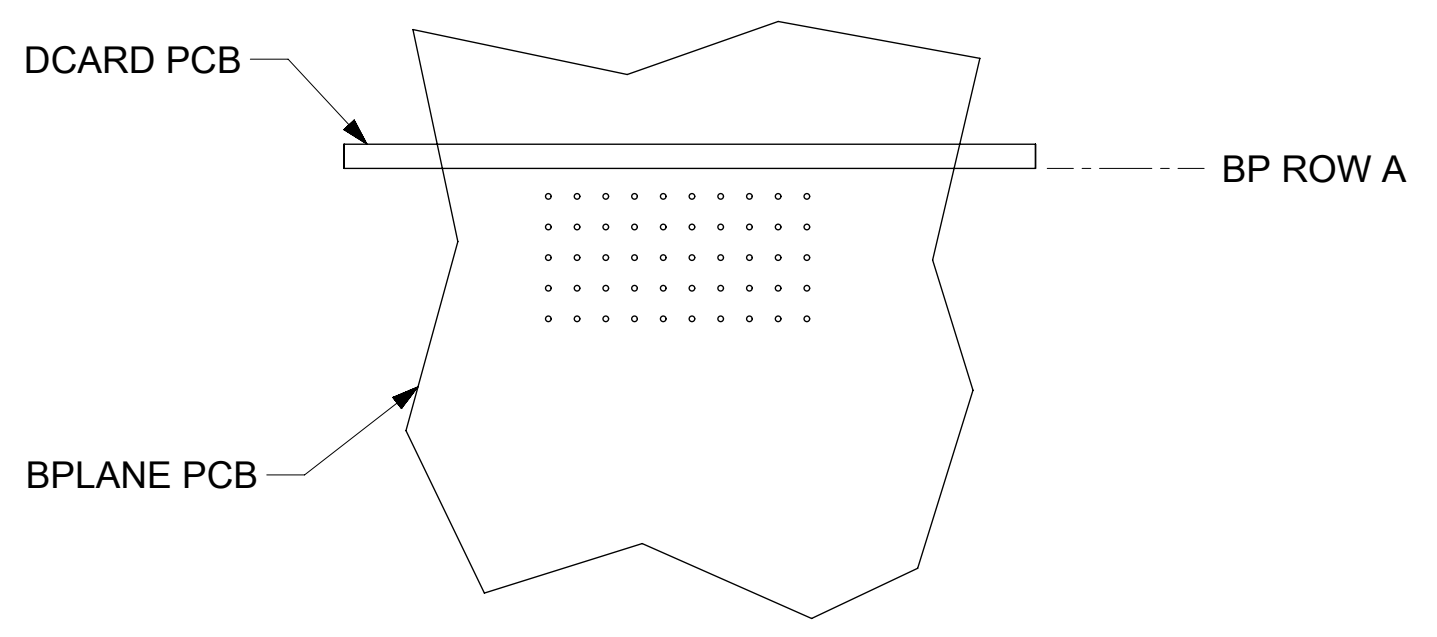
# OF COLUMNS  
1 = 10 COL  
6 = 16 COL

PIN LENGTH (P)  
3 = 4.50 (SHORT COMPLIANT, 0.46±0.05 PTH)  
4 = 4.90 (SHORT COMPLIANT, 0.46±0.05 PTH)  
5 = 5.50 (SHORT COMPLIANT, 0.46±0.05 PTH)  
6 = 4.50 (MICRO COMPLIANT, 0.39±0.05 PTH)  
7 = 4.90 (MICRO COMPLIANT, 0.39±0.05 PTH)  
8 = 5.50 (MICRO COMPLIANT, 0.39±0.05 PTH)

END WALL OPTIONS  
0 = OPEN ENDS  
1 = LEFT END WALL  
2 = DUAL END WALL  
3 = RIGHT END WALL

THIS DRAWING CONTAINS INFORMATION THAT IS PROPRIETARY TO MOLEX ELECTRONIC TECHNOLOGIES, LLC AND SHOULD NOT BE USED WITHOUT WRITTEN PERMISSION												
DRAWING CORRECTION EC NO: 175272 DRWN: HILGOH CHKD: JLTAN06 REV / APPR: DWLE01	2018/04/19	2018/04/23	2018/05/09	GENERAL TOLERANCES (UNLESS SPECIFIED)		DIMENSION UNITS	SCALE					
	ANGULAR TOL ± 0.5 °		MM	2.5:1	DRWN BY		DATE					
	4 PLACES ±		MSANDBERG		2008/03/11		CHKD BY		DATE		IMPACT 2 PAIR HEADER UNGUIDED ASSEMBLY SALES DRAWING	
	3 PLACES ±		TELO		2008/03/11		APPR BY		DATE			
	2 PLACES ± 0.13		JLAURX		2010/10/15		SERIES	MATERIAL NUMBER	CUSTOMER		GENERAL MARKET	
	1 PLACE ± 0.25		DRAFT WHERE APPLICABLE MUST REMAIN WITHIN DIMENSIONS		DRAWING SIZE	THIRD ANGLE PROJECTION	76455	SEE TABLE	GENERAL MARKET			
0 PLACES ±		C			SD-76455-001	PSD	DOC PART	SHEET NUMBER	2 OF 3			

# IMPACT 2 PAIR BOARD RELATIONSHIPS



THIS DRAWING CONTAINS INFORMATION THAT IS PROPRIETARY TO MOLEX ELECTRONIC TECHNOLOGIES, LLC AND SHOULD NOT BE USED WITHOUT WRITTEN PERMISSION											
DRAWING CORRECTION	EC NO: 175272	2018/04/19	GENERAL TOLERANCES (UNLESS SPECIFIED)		DIMENSION UNITS	SCALE	<b>molex</b> IMPACT 2 PAIR HEADER UNGUIDED ASSEMBLY SALES DRAWING				
	DRWN: HILGOH	2018/04/23	ANGULAR TOL ± 0.5 °		MM	2:1					
	CHKD: JLTAN06	2018/05/09	4 PLACES ±	DRWN BY		DATE	PRODUCT CUSTOMER DRAWING				
	REV / APPR: DWLE01		3 PLACES ±	MSANDBERG		2008/03/11					
			2 PLACES ± 0.13	CHKD BY		DATE	SERIES MATERIAL NUMBER CUSTOMER				
		1 PLACE ± 0.25	TELO		2008/03/11	76455					
		0 PLACES ±	APPR BY		DATE	DOCUMENT NUMBER DOC TYPE DOC PART SHEET NUMBER					
		DRAFT WHERE APPLICABLE MUST REMAIN WITHIN DIMENSIONS		JLAURX	2010/10/15						SD-76455-001
			DRAWING SIZE		THIRD ANGLE PROJECTION						
			C								