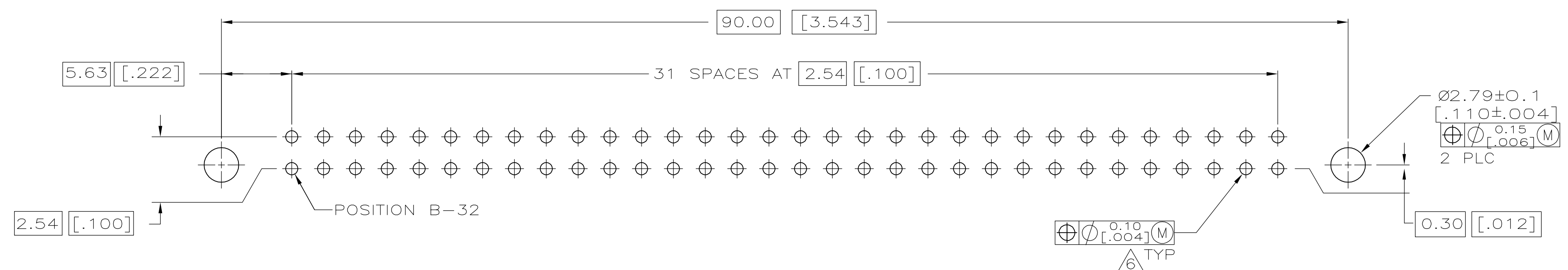
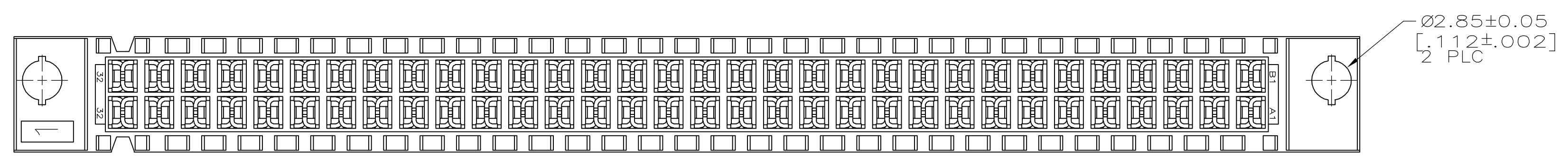
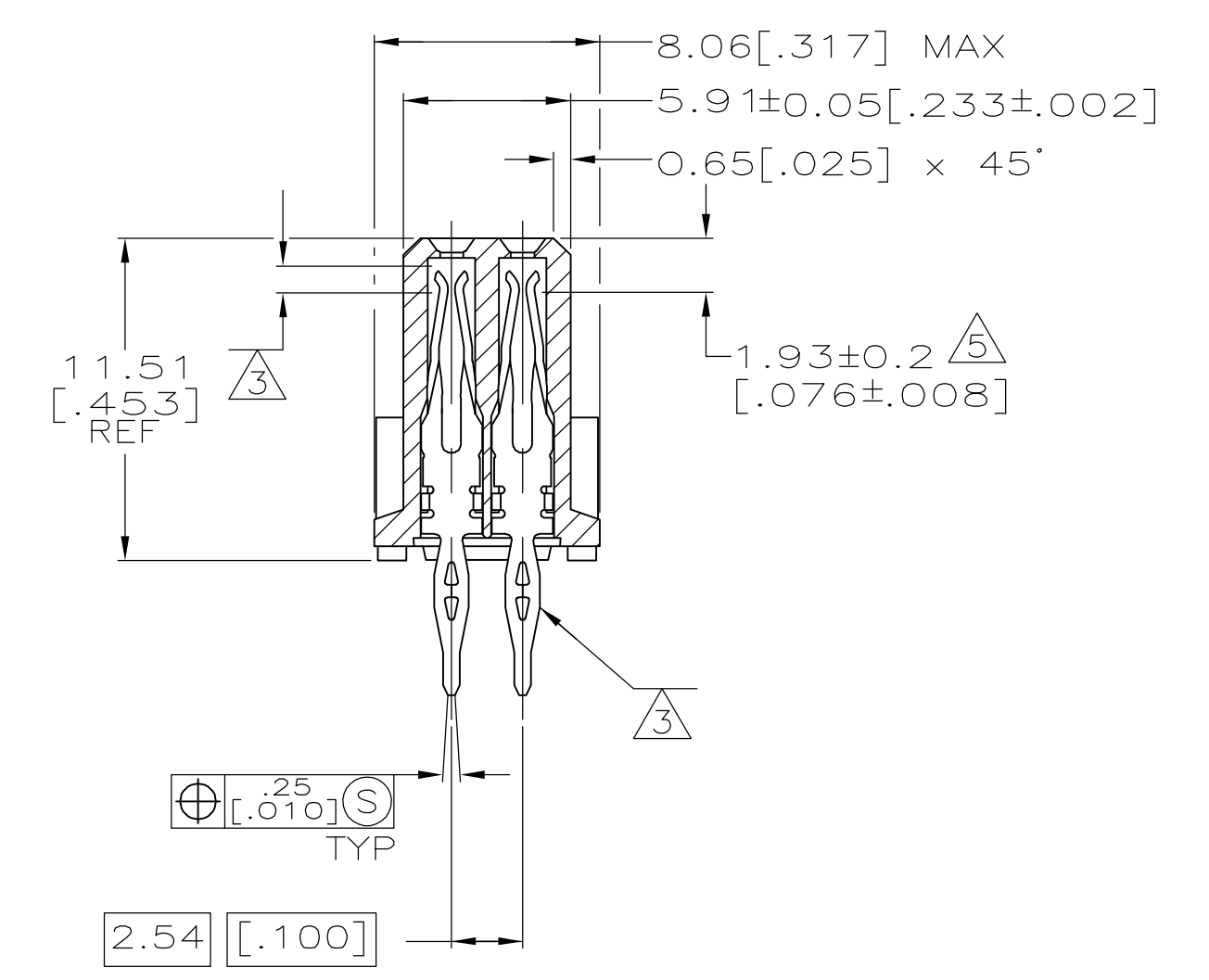
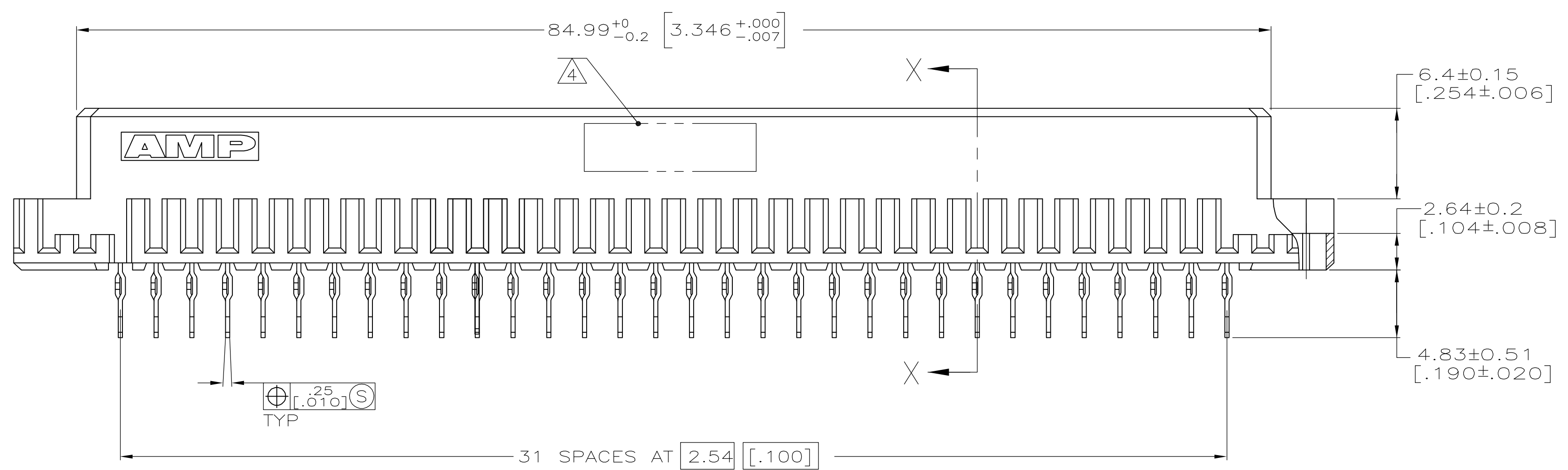
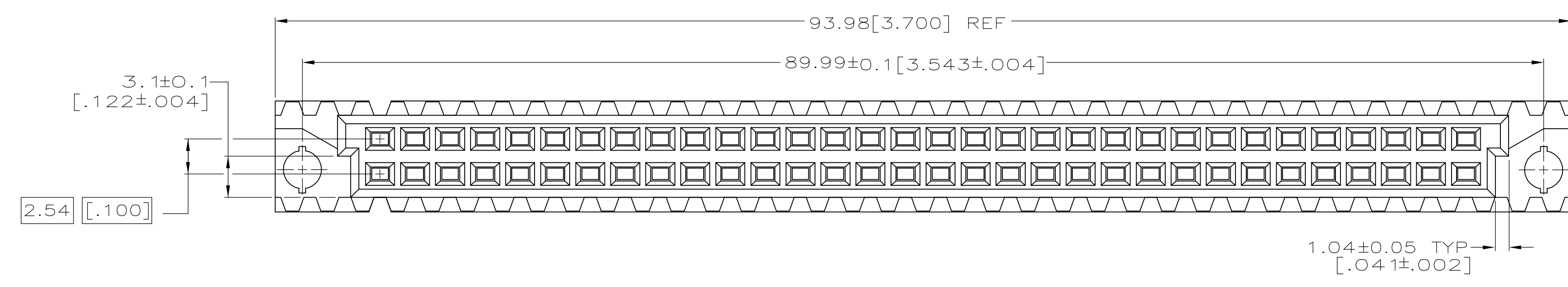


| LOC | | DIST | | REVISIONS | | | |
|-----|------|-----------------------------|---------|-----------|-------|--|--|
| REV | DATE | DESCRIPTION | DATE | BY | APP'D | | |
| 0 | | RELEASE PER EC 0512-0082-05 | 03JUN05 | JDP | AMS | | |

- 1 HOUSING MATERIAL: GLASS-FILLED POLYMER.
- 2 CONTACT MATERIAL: COPPER ALLOY.
- 3 CONTACT FINISH: DIN 41612 CLASS 2 IN CONTACT AREA. TIN PLATE ON POSTS.
- 4 PART NUMBER, DATE CODE IDENTIFICATION, CSA LOGO IN THIS APPROXIMATE AREA, ON REVERSE SIDE.
- 5 CONTACT POINT.
- 6 ACTION PIN POSTS REQUIRE 1.57[.062] MINIMUM THICK PC BOARD. RECOMMENDED PC BOARD HOLES ARE $\varnothing 1.151 \pm 0.02 [0.0453 \pm 0.001]$ DRILLED HOLES WITH 0.02-0.07[.001-.003] COPPER AND 0.008[.0003] MINIMUM TIN-LEAD PLATING. FINISHED HOLES AFTER PLATING, $\varnothing 0.94-1.09 [0.037-.043]$.



PC BOARD LAYOUT

5650865-5
 ASSY PART NUMBER

| | | | | | | |
|--|--|-------------------|---------|------------------|---|---|
| THIS DRAWING IS A CONTROLLED DOCUMENT. | | DWN: J. POLIGNONE | 03JUN05 | | Tyco Electronics Corporation Harrisburg, Pa 17105-3608 | |
| DIMENSIONS: mm [INCHES] | | CHK: A. SHARPE | 03JUN05 | | NAME: A. SHARPE | ASSEMBLY, RECEPTACLE, EUROCARD, TYPE B, LEAD-FREE, 64 POSITION, 4.83[.190], TOOLLESS, PRESS-FIT |
| TOLERANCES UNLESS OTHERWISE SPECIFIED: | | PRODUCT SPEC | | APPLICATION SPEC | | |
| 0 PLC ± - 1 PLC ± - 2 PLC ± 0.15[.005] 3 PLC ± - 4 PLC ± - ANGLES ± - FINISH ± - | | SIZE: A1 | | CAGE CODE: 00779 | | DRAWING NO: 5650865 |
| MATERIAL: 1, 2, 3 | | WEIGHT: - | | CUSTOMER DRAWING | | RESTRICTED TO: - |
| | | SCALE: 4:1 | | SHEET: 1 OF 1 | | REV: 0 |